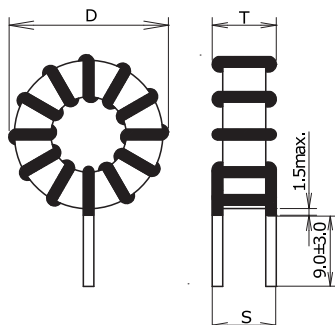


**KEMET Part Number: HHBC10-0R8A0068V**  
(UALC100R8A0068)

KEMET, HHBC, AC Line Filters, Normal Mode, 68 uH, 20%



Dimensions	
D	21.5mm MAX
T	12.3mm MAX
LL	9mm +/-3mm
S	8mm NOM

Packaging Specifications	
Packaging:	Tray
Packaging Quantity:	240
Weight:	10 g

General Information	
Series:	HHBC
Style:	Through-Hole
Features:	Noise Solution, Switching Power Supply Outlets, DC-DC Converter
RoHS:	Yes
Miscellaneous:	20 (K) Temperature Rise Max.

Specifications	
Inductance:	68 uH
Inductance Tolerance:	20%
Current:	3 A
Temperature Range:	-40/+125°C
DC Resistance:	42.3 mOhms