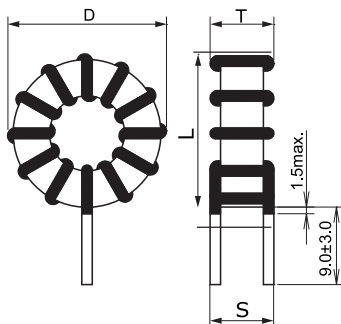


KEMET Part Number: SHBC10-0R8A0068V
(UALS100R8A0068)

KEMET, SHBC, AC Line Filters, Normal Mode, 68 uH, 20%



Dimensions	
D	21.5mm MAX
L	21.5mm MAX
T	21.5mm MAX
LL	9mm +/-3mm
S	8mm NOM

Packaging Specifications	
Packaging:	Tray
Packaging Quantity:	240
Weight:	10 g

General Information	
Series:	SHBC
Style:	Through-Hole
Features:	Low Core Loss, High Frequency Drive
RoHS:	Yes
Miscellaneous:	20 (K) Temperature Rise Max.

Specifications	
Inductance:	68 uH
Inductance Tolerance:	20%
Current:	3 A
Temperature Range:	-40/+125°C
DC Resistance:	42.3 mOhms