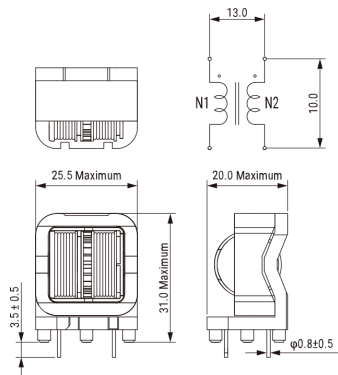


**KEMET Part Number: SSRH24NVS-20215**  
(UALS24VS202150)

KEMET, SSRH24NVS/NHS, AC Line Filters, Common Mode, 0.0215 H



Dimensions	
L	25.5mm MAX
T	20mm MAX
H	31mm MAX
LL	3.5mm +/-0.5mm
S	13mm NOM

Packaging Specifications	
Packaging:	Tray
Packaging Quantity:	200
Weight:	25 g

General Information	
Series:	SSRH24NVS/NHS
Style:	Through-Hole
Features:	Compact Size, Light Weight, High Performance, Low Rdc
RoHS:	Yes
Miscellaneous:	Temperature Rise Maximum: 65 K

Specifications	
Voltage AC:	250 VAC
Inductance:	21.5 mH (10 kHz)
Current:	2 A
Temperature Range:	-25/+120°C
DC Resistance:	177 mOhms