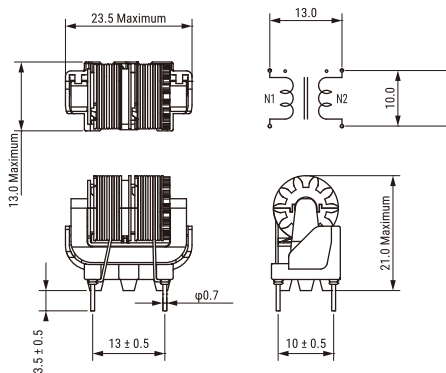


KEMET Part Number: SSR10VS-07265
(UALR10VS072650)

KEMET, SSR10VS/HS, AC Line Filters, Common Mode, 0.0265 H



Dimensions

L	23.5mm MAX
T	13mm MAX
H	21mm MAX
LL	3.5mm +/-0.5mm
S	13mm +/-0.5mm

Packaging Specifications

Packaging:	Tray
Packaging Quantity:	600
Weight:	9 g

General Information

Series:	SSR10VS/HS
Style:	Through-Hole
Features:	Compact Size, Low Profile, Light Weight, High Frequency, Broad Bandwidth
RoHS:	Yes
Miscellaneous:	50 (K) Temperature Rise Max.

Specifications

Voltage AC:	250 VAC
Inductance:	26.5 mH (10 kHz)
Current:	700 mA
Temperature Range:	-25/+120°C
DC Resistance:	850 mOhms