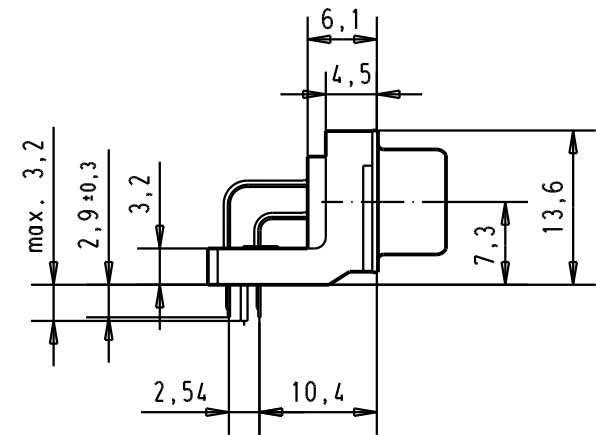
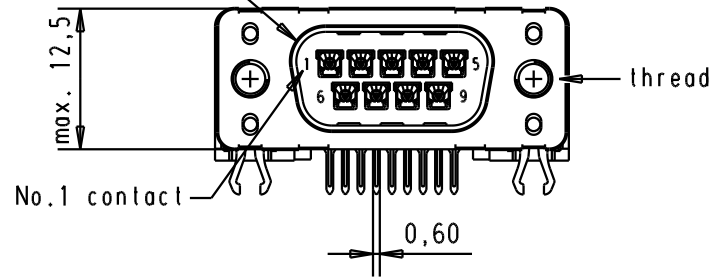
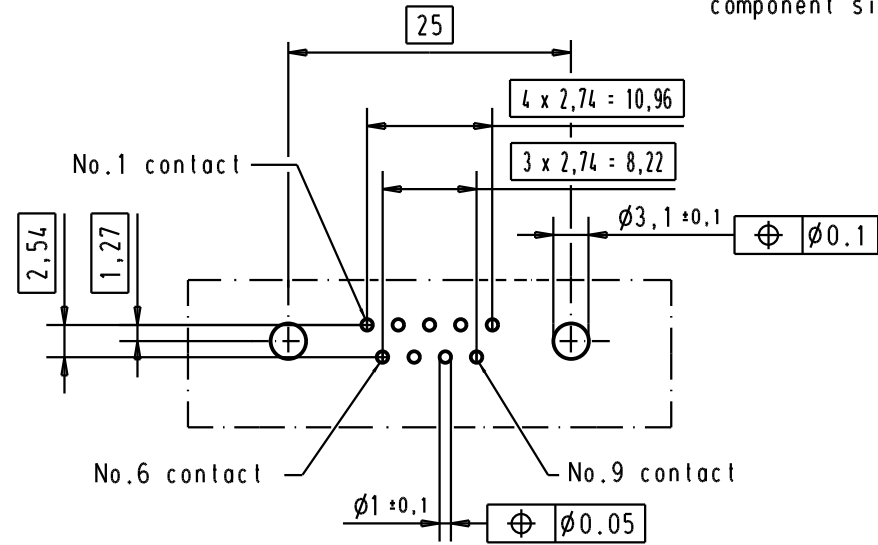
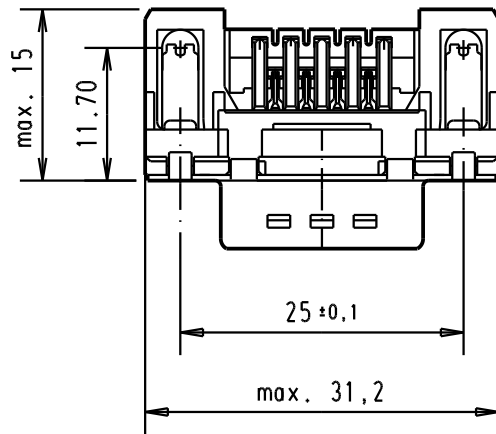


5 4 3 2 1

Mating face according to : MIL-C-24308 / DIN 41652 / CECC 75301-802



PCB layout hole component side



Connector retention and insertion forces on the PCB = 25 / 80 newtons

A	09 65 162 3811	M 3	1							 All Dim. in mm Orig. Size DIN A 4	D-Sub, male, standard angle, 09 poles, with solder pin, nut and grounding board lock.	Maßstab/ Scale 1.5:1
	09 65 162 6811	M 3	2				Detail.	20/nov/00	jfb			
	09 65 162 7811	M 3	3	31892	22/04/04	JH	Insp.					
	09 65 162 3812	4-40 UNC	1	31084	04/09/02	YT	Stand.					
	09 65 162 6812	4-40 UNC	2	29689	03/07/01	AA						
	09 65 162 7812	4-40 UNC	3	27957	20/nov/00	jfb	HARTING EURL F-95972 Paris				TB 0965162x81x	Blatt/ Page 5
	Part number	Nut thread	Performance level	Mod.	Dat.	Name	Sub.					