

Transponder Coils (for RFID)

Our surface mount transponder coils (wire wound) series cover a wide range of electrical performances. Its length and cross section area are optimized for best sensitivity in the coil axis. Customized inductance values are available upon request.

Applications Used for wireless data transmission in low frequency RFID products, such as immobilizers, TPMS and keyless entry. Other industrial applications include access control and tracking devices.

Technical Data

L – Value (rated inductance)	Measured with Bode 100 Vector Network Analyzer or equivalent at frequency f_L
Q – Factor (min)	Measured with Bode 100 Vector Network Analyzer or equivalent at frequency f_Q
SRF (min)	Measured with HP 8753ES Network Analyzer or equivalent
DCR (max)	Measured at 25°C
Operating Temperature	-40°C to +150°C (Including component self-heating) For FTC from -40°C to +125°C
Pad Metallization	Gold flash as top layer, except ZASL with tin plating
Wire termination	Spot welding, except ZASL
Recommended soldering method	Reflow
Moisture Sensitivity Levels (MSL)	MSL Level 1, indicating unlimited floor life at $\leq 30^\circ\text{C}$ / 85% relative humidity
Solderability	Using lead free solder (Sn 99.9) at $260^\circ\text{C} \pm 5^\circ\text{C}$ for 5 ± 0.5 seconds, min 90% solder coverage of metallization Standard: IEC 68-2-20 (Ta)
Resistance to Soldering Heat	Resistant to $260^\circ\text{C} \pm 5^\circ\text{C}$ for 10 ± 1 seconds Standard: IEC 68-2-20 (Tb)
Resistance to Solvent	Resistant to Isopropyl alcohol for 5 ± 0.5 minutes at $23^\circ\text{C} \pm 5^\circ\text{C}$ Standard: IEC 68-2-45
Climatic Test	Defined by the following standards IEC 68-2-1 for Cold test: -40°C for 96 hours IEC 68-2-2 for Dry heat test: 125°C for 96 hours IEC 60068-2-78 for Humidity test: 40°C at RH 95% for 4 days
Thermal Shock Test	Temperature cycle: -40°C to $+125^\circ\text{C}$ to -40°C Max/Min temperature duration: 15 min Temperature transition duration: 5 min Cycles: 25 Standard: MIL-STD-202G
Adhesion of Soldered Component (Shear Test)	Components withstand a pushing force of 10N for 10 ± 1 seconds Standard: IEC 60068-2-21, method Ue3
Mechanical Shock	Mil-Std 202 Method 213 Condition C 3 axis, 6 times, total 18 shocks 100 G, 6 ms, half-sine
Vibration	Mil-Std 202 Method 204 20 mins at 5G 10 Hz to 2000 Hz 12 cycles each of 3 orientations

Technical Data & Packing Specification

Ordering Code Example: 4408AF-371X-YY

4408 AF - 371 X - YY → **4408AF-371K-04**
(Case Size) (Core Type) (Inductance Value) (Tolerance) (Packing Code)

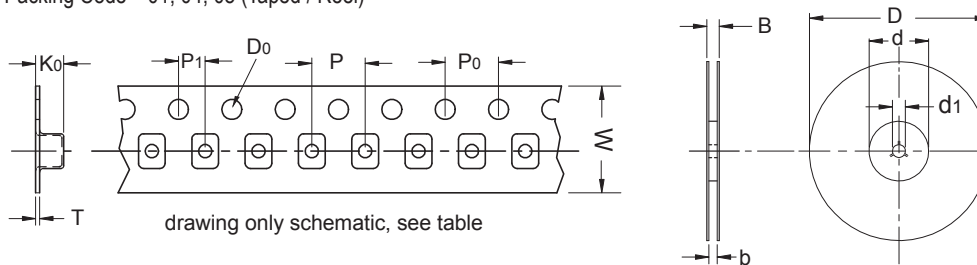
Case Size - 1210, 1812, 4408, ZASL

Core Type - FTC (Ferrite), AFTC (Ceramic & Ferrite), AF/AQ (Ceramic & Ferrite), ZASL (Ferrite)

Tolerances - J (5%), K (10%)

Packing Code - 01, 04, 08 (Taped / Reel)

Packing Specification



Type	Packing Code	D	D ₀	d	d ₁	B	b	W	P	P ₀	P ₁	K ₀	T
1210 FTC	01	180	1.55	60	13	18.4	13.7	12	8	4	2	2.55	0.30
1210 FTC	04	330	1.55	100	13	18.4	12.4	12	8	4	2	2.55	0.30
1812 AFTC	01	180	1.50	60	13	18.4	15.4	12	8	4	2	4.0	0.28
1812 AFTC	04	330	1.50	100	13	18.4	12.4	12	8	4	2	3.7	0.35
4408 AF/AQ	04/08	330	1.55	100	13	30.4	24.5	24	8	4	2	2.7	0.30
ZASL	04	330	1.50	100	13	30.4	24.4	24	12	4	2	3.6	0.30

FASTRON's Component Key Characteristics



Approved according to AEC-Q200



Approved according to AEC-Q200 with High Temperature



Suitable for High Temperature



Part is RoHS conform and Halogen free



Mechanical Shock and Vibration Proof



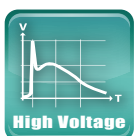
Designed for High Q-values



Exceptionally High Q-values



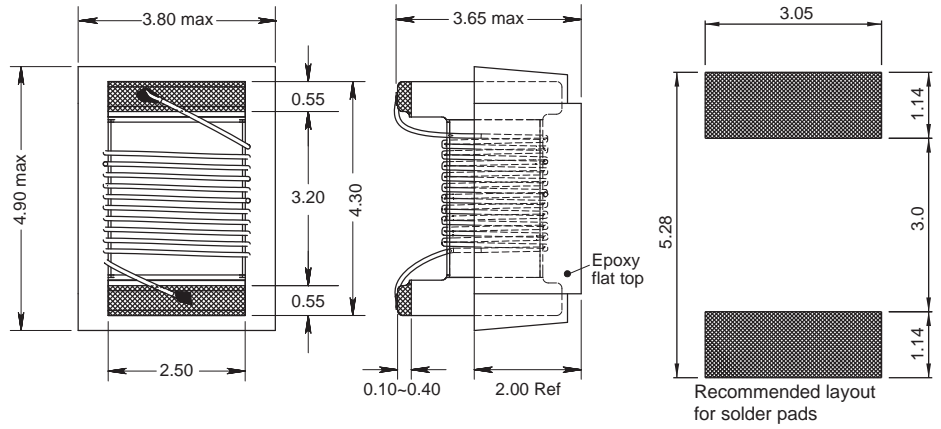
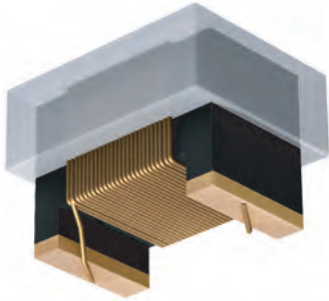
Optimized for High Currents



Optimized for High Voltages

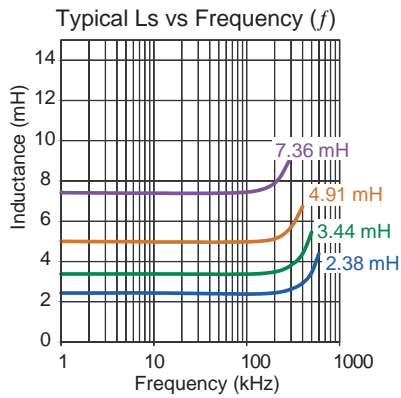
1812 AFTC

Transponder Coil



(for RFID)

Transponder Coils



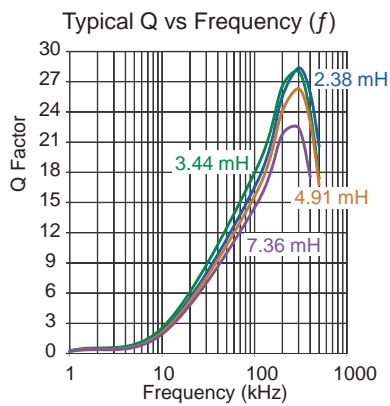
Part No	Inductance	f _L	Tol	Q	f _α	SRF	DCR	Sensitivity
	L (mH)	(kHz)	± (%)	typ	(kHz)	min max	(Ω)	mV/μT
1812AFTC-401K-YY	0.40	125	10	18	125	1800	12.4	7
1812AFTC-102K-YY	1.00	125	10	13	125	1300	48	18
1812AFTC-242K-YY	2.38	125	10	19	125	650	75	40
1812AFTC-292K-YY	2.89	125	10	19	125	620	80	40
1812AFTC-342K-YY	3.44	125	10	19	125	600	90	45
1812AFTC-412K-YY	4.15	125	10	19	125	600	120	54
1812AFTC-492K-YY	4.91	125	10	18	125	560	155	65
1812AFTC-602K-YY	6.00	125	10	18	125	530	170	81
1812AFTC-722K-YY	7.20	125	10	16	125	470	250	103
1812AFTC-742K-YY	7.36	125	10	16	125	470	250	103

Core Material: Ceramic & Ferrite

Revision date: 03 Sep 2020

SPQ: Taped / Reel 600 [-01]
2200 [-04]

Remarks: - Unlisted inductance values available upon request.
- 2% and 5% tolerance available upon request.



Mouser Electronics

Authorized Distributor

Click to View Pricing, Inventory, Delivery & Lifecycle Information:

Fastron:

[1812AFTC-242K-01](#) [1812AFTC-722K-01](#) [1812AFTC-292K-01](#) [1812AFTC-412K-01](#) [1812AFTC-342K-01](#) [1812AFTC-742K-01](#) [1812AFTC-492K-01](#) [1812AFTC-602K-01](#) [1812AFTC-722G-01](#) [1812AFTC-102K-01](#) [1812AFTC-401K-01](#) [1812AFTC-102J-04](#) [1812AFTC-412J-04](#) [1812AFTC-492J-04](#) [1812AFTC-742J-01](#) [1812AFTC-401K-04](#) [1812AFTC-342K-04](#) [1812AFTC-342J-04](#) [1812AFTC-292K-04](#) [1812AFTC-722J-04](#) [1812AFTC-602J-04](#) [1812AFTC-742J-04](#) [1812AFTC-242K-04](#) [1812AFTC-102K-04](#) [1812AFTC-292J-04](#) [1812AFTC-242J-04](#) [1812AFTC-102J-01](#) [1812AFTC-412K-04](#) [1812AFTC-492K-04](#) [1812AFTC-492J-01](#) [1812AFTC-401J-01](#) [1812AFTC-292J-01](#) [1812AFTC-742K-04](#) [1812AFTC-602K-04](#) [1812AFTC-722K-04](#) [1812AFTC-722J-01](#) [1812AFTC-342J-01](#) [1812AFTC-242J-01](#) [1812AFTC-602J-01](#) [1812AFTC-401J-04](#) [1812AFTC-412J-01](#) [EK-1812AFTC-K](#)