



Mounting bracket
with strain
relief option

One-piece
link-design

Crossbar, snap-open along
inner radius with film-hinge

Dirt-repellent
exterior

Closed
outside

+ Snap-open along inner radius

When to use the Series 14 E2 mini:

- If an e-chain® with an inner height of 20 mm and small bending radii are required
- For inner widths up to 50 mm
- For unsupported lengths up to 0,65 m and fill weights up to 0,5 kg/m
- If snap-open mechanism with film-hinge is required



When to use a different igus® Series:

- For gliding applications
- ▶ **Series 15 zipper, page 4.38**
- For long unsupported travels
- ▶ **Series 15 zipper, page 4.38**

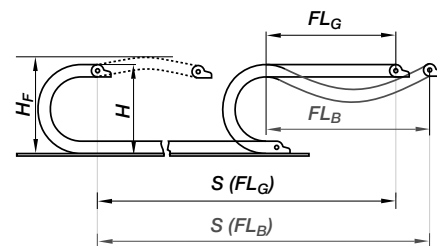
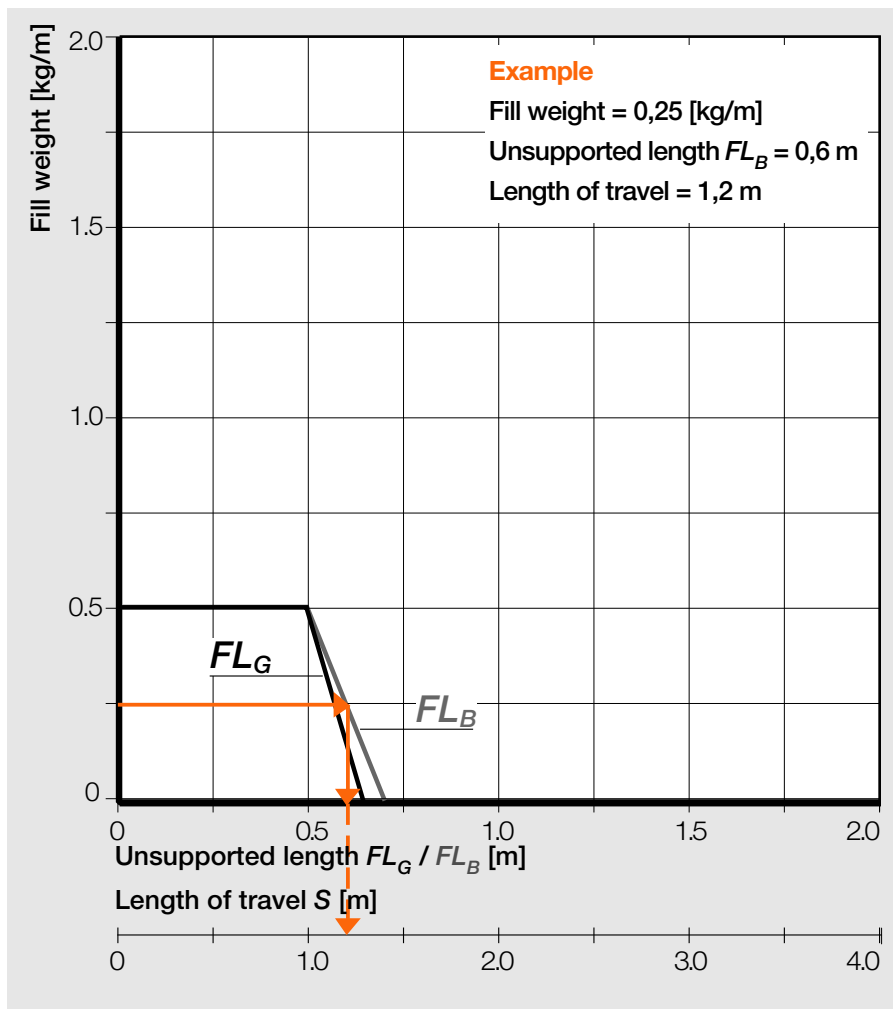


Available from stock. Delivery in 24h or today!*

*Delivery time means time until shipping of goods



3D-CAD files, configurators, PDF ▶ www.igus.de/en/14



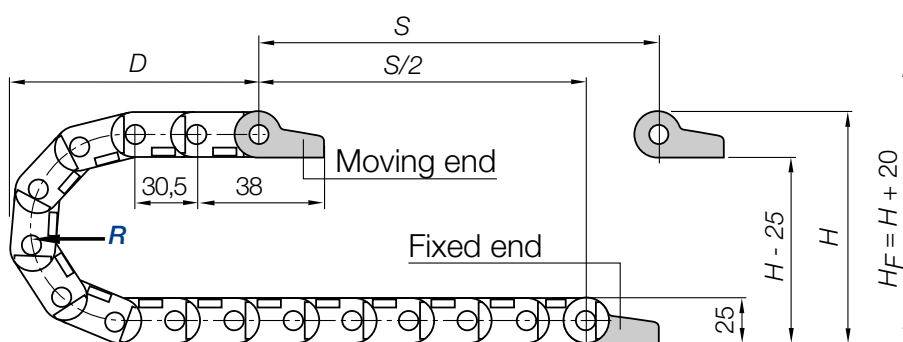
Standard **Unsupported applications**

Unsupported e-chains® feature positive camber over short travels. This must be accounted for when specifying the clearance height H_F . Please consult igus® if space is particularly restricted. More information ► **Design, page 1.8**

Technical Data

Speed, material, temperature and flammability class ► **page 5.78**

Pitch = 30,5 mm/link
Links/m = 33 (1.006,5 mm)
Chain length = $S/2 + K$



R	028	038	048	075	100	125
H	81	101	121	175	225	275
D	86	96	106	133	158	183
K	150	185	215	300	380	455

The required clearance height: $H_F = H + 20$ mm (with 0,5 kg/m fill weight)

- i** FL_G = with straight upper run **S** = Length of travel **H** = Nominal clearance height **D** = Overlength e-chain®, radius in final position
- FL_B = with permitted sag **R** = Bending radius H_F = Required clearance height **K** = $\pi \cdot R + \text{"safety"}$

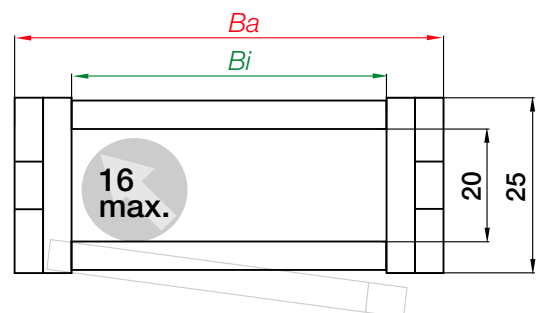
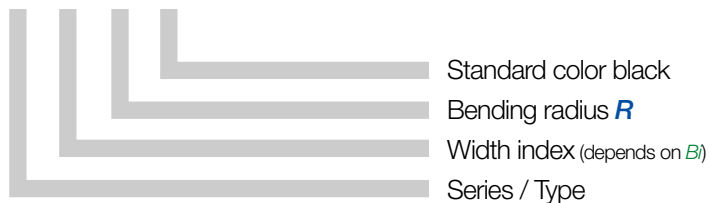


Series 14 | One-piece, snap-open along inner radius with film-hinge

Snap-open along inner radius	<i>Bi</i> [mm]	<i>Ba</i> [mm]	<i>R</i> Bending radii [mm]	Weight [kg/m]
14.1. <i>R</i> .0	15	26	028 038 048 075 100 125	≈ 0,31
14.2. <i>R</i> .0	25	36	028 038 048 075 100 125	≈ 0,32
14.3. <i>R</i> .0	38	49	028 038 048 075 100 125	≈ 0,40
14.4. <i>R</i> .0	50	61	028 038 048 075 100 125	≈ 0,41

Supplement Part No. with required radius (*R*). Example: **14.2.038.0**

Order key 14.2.038.0



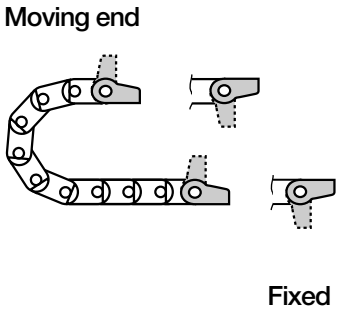
 **14.2.038.0** = e-chain® snap-open along inner radius, *Bi* 25 mm inner width, *R* 038 mm radius, color black
 More order examples and configuration options ► page 5.110

 **Standard e-chains® available from stock. Delivery in 24h or today!***
 *Delivery time means time until shipping of goods

Moving end
114...1P(Z)

Fixed end
114...2P(Z)

Material mounting bracket - igumid G,
temp. -40° up to +120° C, VDE 0304 IIC UL94 HB



Polymer locking, one-piece | Universal for e-chains®

Recommended for unsupported applications

Width Index	Part No. full set with tiewrap plates	Part No. full set without tiewrap plates	Dim. A [mm]	Dim. B [mm]	Number of teeth
1.	▶ 114.1.12PZ	114.1.12P	–	26,3	2
2.	▶ 114.2.12PZ	114.2.12P	10	36,3	3
3.	▶ 114.3.12PZ	114.3.12P	23	49,3	4
4.	▶ 114.4.12PZ	114.4.12P	35	61,3	5



- One-piece mounting bracket
- Available with or without strain relief tiewrap plates
- Corrosion-resistant
- Various installation options on the fixed end and/or the moving end
- Inner and outer attachment possible

Possible installation conditions for assembled mounting brackets:
For the **preassembled** mode please add index **A1... A4** ▶ e.g. **114.2.12PZA1**

Part No. structure

114.2.12PZA1

A... must be indicated on preassembled configurations
Strain relief with chainfix tiewrap plates
Full set locking = 12
Mounting brackets for selected width index

Single-part order

- Mounting bracket **Moving end**
114.2.1PZA1 (preass. + tiewrap plate)
- Mounting bracket **Fixed end**
114.2.2PZA1 (preass. + tiewrap plate)

Additional Features



Quicksnap - the complete, detachable mounting unit, available upon request



Quickfix - mounting bracket with dowel, available upon request

Strain relief e.g. clamps, tiewrap plates, nuggets and plug-in clips are available from stock. The complete chainfix range with order options ▶ from page 10.1

E2 mini | Series 14 | Options and order key



Standard

NC-Version -
(no camber)
without pretension

Reverse bending
radius for circular
movements

Unsupported
lengths +25%
possible

ATEX / ESD
classified e-chains®
 II 2 GD

Part No.
Standard
e-chains®



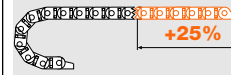
Part No.
NC-Material
e-chains®



Part No.
RBR
e-chains®



Part No.
XXL-Material*
e-chains®



Part No.
ESD-Material
e-chains®



14.2.R.0

14.2.R.0.NC

14.2.R1/R2.0

14.2.R.0.XXL

14.2.R.0.ESD



Delivery time
24h or today!*

Delivery time
3-5 work days

Delivery time
10 work days

Delivery time
1-2 weeks

Delivery time
5 work days

(2-5 work days at an
express surcharge)

Order example | Order key and color options



Order example for complete e-chain® (1,0 m),
color black, with mounting brackets:

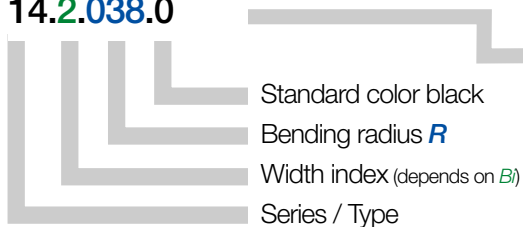
e-chain® (1,0 m) Please indicate e-chain® length or number of links: 1,0 m or 33 links **14.2.038.0**

+ Mounting brackets 1 set (with integrated strain relief) **114.2.12PZ**

Order text: 1,0 m 14.2.038.0 + 114.2.12PZ



Order key
14.2.038.0



Black e-chains® from stock!

*Colored e-chains® delivered in 15 work days (Delivery in 5 work days at an express surcharge, available upon request!)

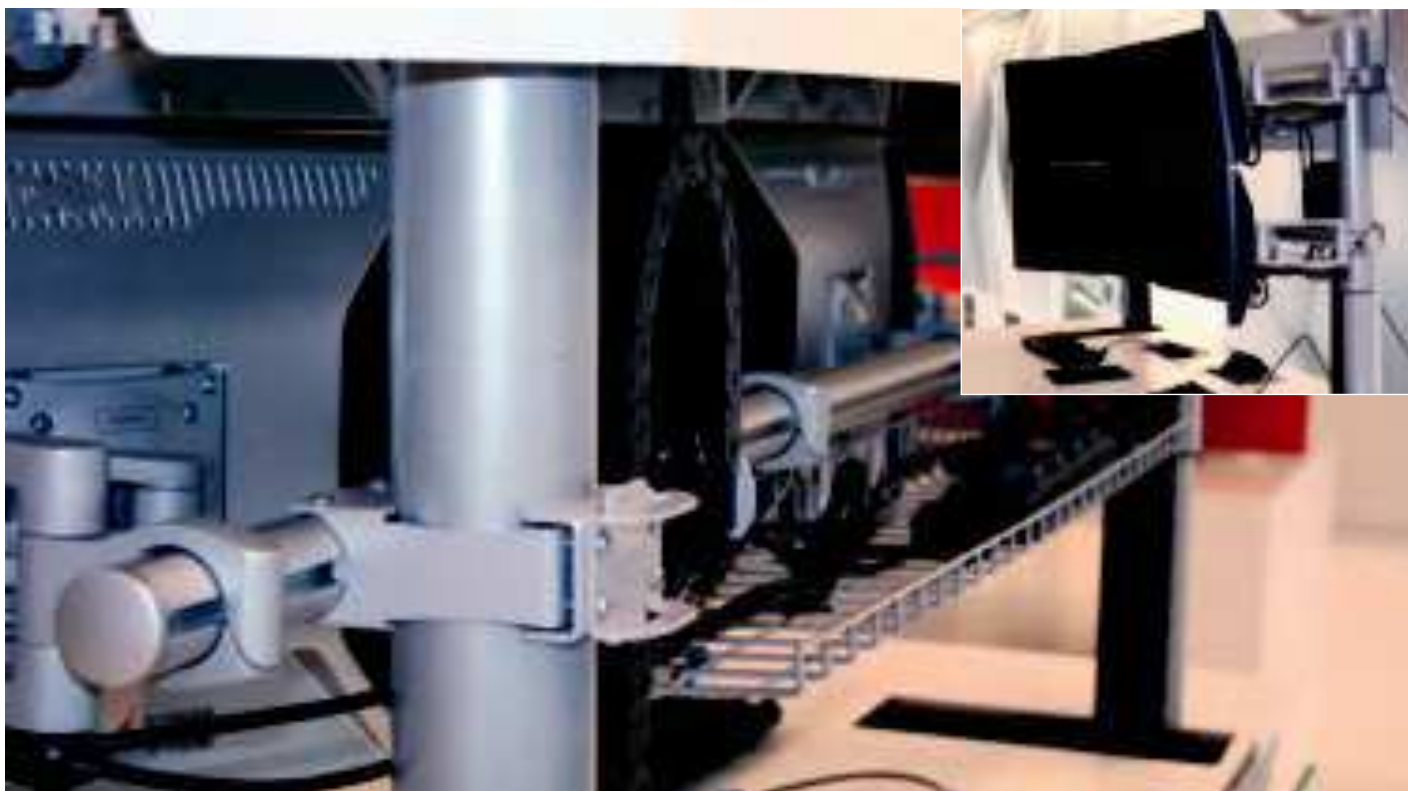
Color options for e-chains® and e-tubes

Color	Order index	Color	Order index
black	.0 from stock!	green*	.7
white*	.1	grey*	.3 for e-chains®
violet*	.5	dusty grey*	.3 for e-tubes
yellow*	.4	agate grey*	.11
orange*	.2	light grey*	.14
red*	.6	black grey*	.13
blue*	.8	yellow/black*	.9



Available from stock. Delivery in 24h or today!*

*Delivery time means time until shipping of goods



Cost-effective cable guidance with E2 mini