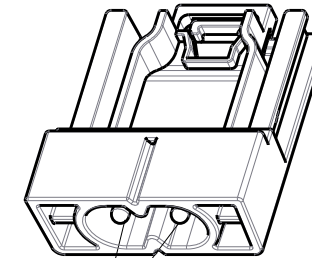
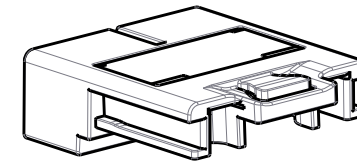
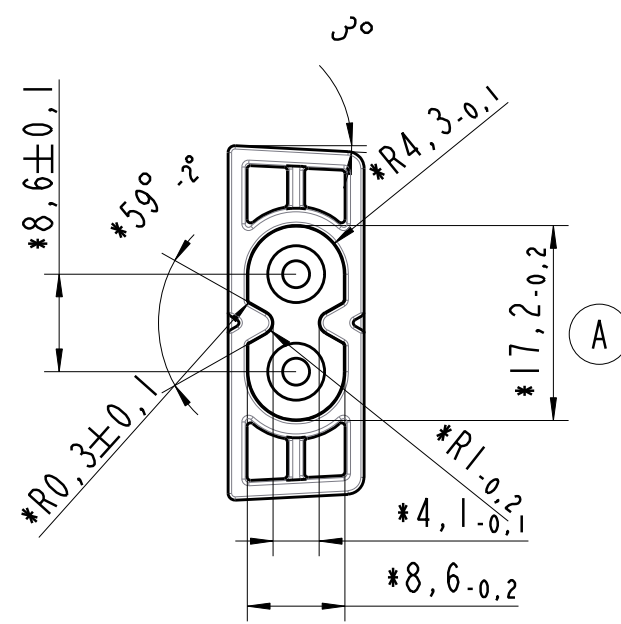
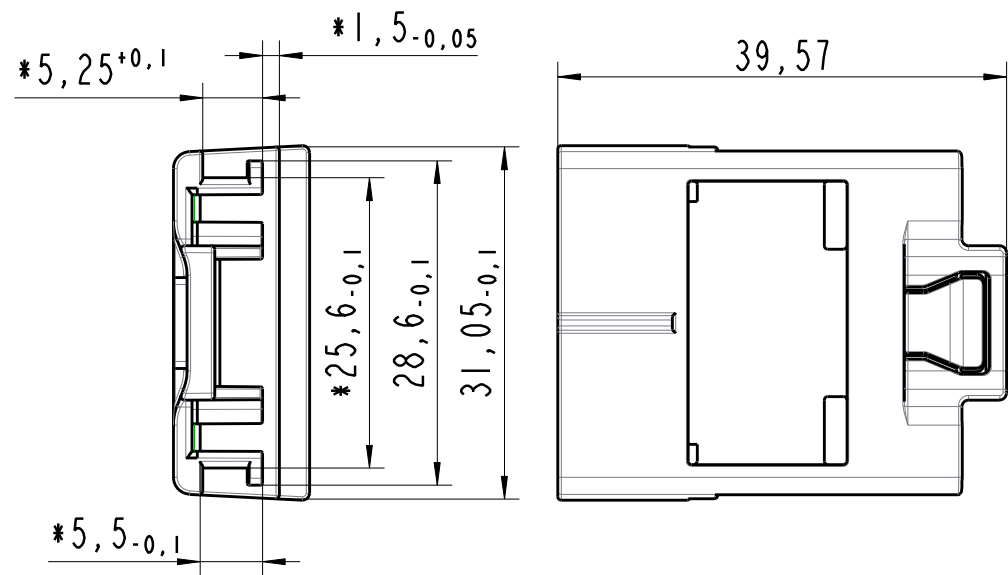


Copying of this document, and giving it to others and the use or communication of the contents thereof, are forbidden without express authority. Offenders are liable to the payment of damages. All rights are reserved in the event of the grant of a patent or the registration of a utility model or design.

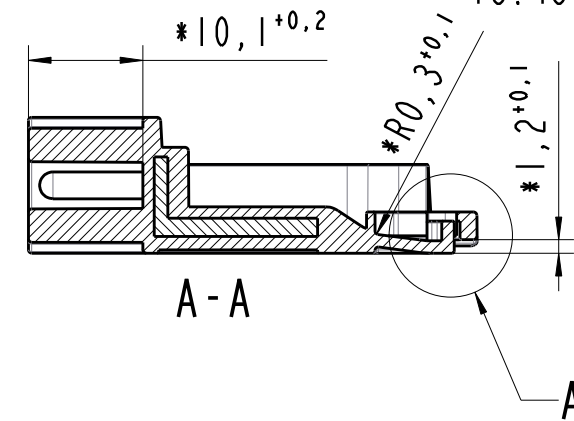


tolerances of linear dimensions for plastic parts acc. to ISO 16901-130

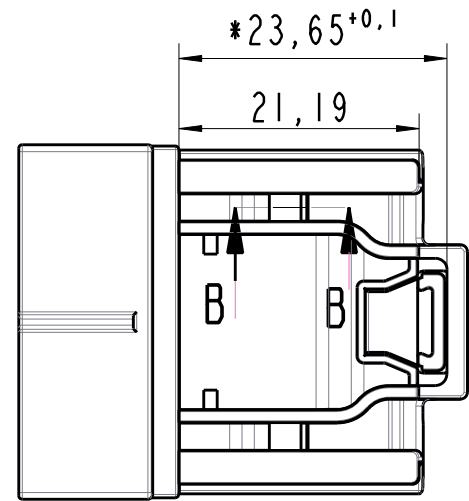
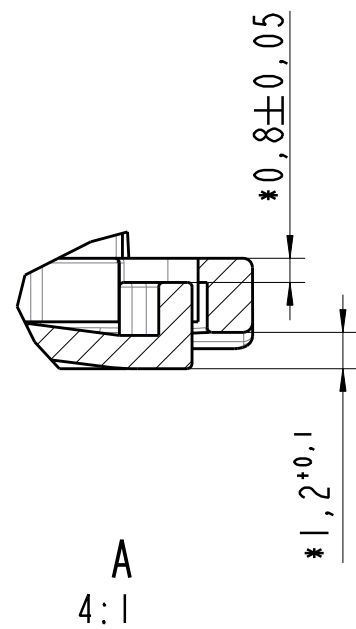
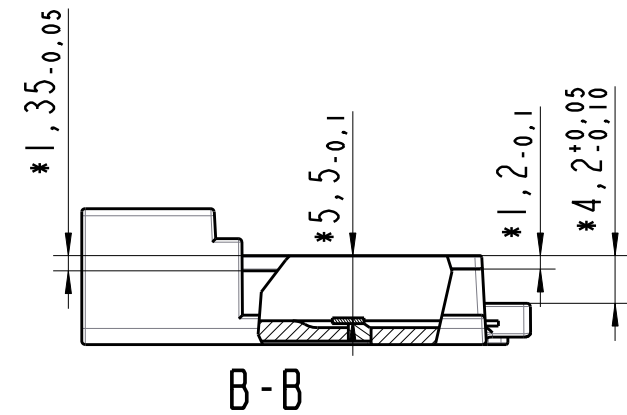
dimension	A	B
0 - 1	±0,18	±0,08
1 - 3	±0,19	±0,09
3 - 6	±0,20	±0,10
6 - 10	±0,21	±0,11
10 - 15	±0,23	±0,13
15 - 22	±0,25	±0,15
22 - 30	±0,27	±0,17
30 - 40	±0,30	±0,20
40 - 53	±0,34	±0,24
53 - 70	±0,38	±0,28
70 - 90	±0,44	±0,34
90 - 120	±0,51	±0,41

use tolerance A for dimension not related to the mould and tolerance B for dimensions related to the mould

AC pin :
15.4364.501-10



- General surface texture of visible surfaces texture eroded, according VDI 3400 Ref. 30-33.
- For not mentioned dimensions / freeform geometry the 3D-dataset is used as the theoretical exact contour GDT tolerance:
- *Function-, control- measurements
- Double measurements only for information ()
- Dimensions have to correspond to bottom 15.4342.501-
- Undimensioned draft angle 0.3 - 0.5°.
- Undimensioned radiuses 0.3 - 0.5mm
- All surfaces and edges must be free of burr and marks.
- Raised or depressed ejection marks are not permissible.
- Placement of the injection point not on visible surfaces.
- Sink marks and streaks are not allowed.
- Identification sign and marking sign according to specification LV I.4601.100-213.
- Part volume: 4.84 cm³
- Ejektor pin must be approved by FRIWO



15.4364.501-234	1847526	PC/ABS	Bayer Baylend KU2-1514	White BBS073 011950
15.4364.501-177	1844854	PC/ABS	Bayer Baylend KU2-1514	Black 901510
Drawing No.	Part No.	Plastic Type	Plastic Name, Number, Manufacturer	Colour / Colour Code

General Tolerance DIN 16901-130B		Scale 3:2	Filename: 154364_501_01
2014 Date		Name	Tool No.: 1844861
Author 2014.09.12		weihua	Tool designed for:
Appr.			(Description)
Archiving No.			IEC Adaptor
A MR2015-1-3441		2015.03.19	(Drawing No.)
Ver. Change Note		Date Name	15.4364.501-01
			Sheet 1
			sub. for: BI.

FRIWO