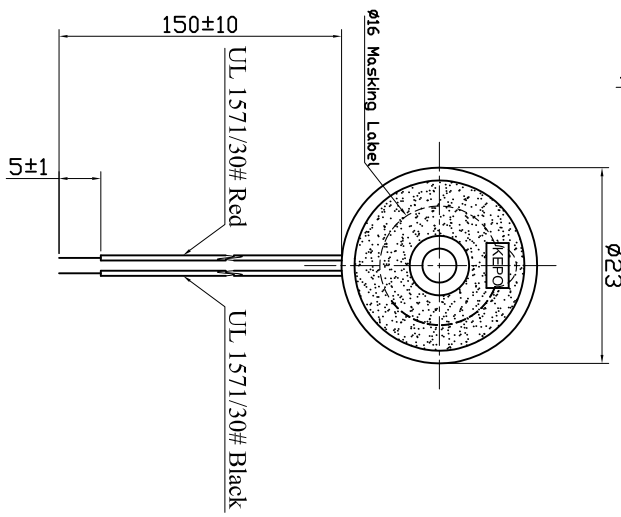
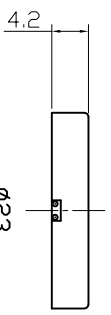
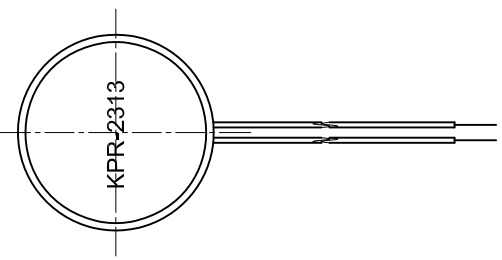


受 控

SPECIFICATION

- 1. Rated Voltage12V-p-p Square Wave
- 2. Max. Allowable Voltage30V-p-p Square Wave
- 3. Max. Rated Current3mA at 12V-p-p/4.0KHz
- 4. Min. Sound Pressure Level.....80dB at 12V-p-p/4.0KHz/30cm
- 5. Capacitance at 120Hz30000pF±30%
- 6. Resonant Frequency4.0±0.5KHz.
- 7. Case Material.....ABS/Black
- 8. Operating Temperature-20~+60°C
- 9. Store Temperature-30~+70°C
- 10. Weight2g



No.	DESCRIPTION	APPROVED	DATE	KEPO NINGBO KEPO ELECTRONIC CO.,LTD http://www.chinaacoustic.com		
		APPROVALS	DATE			
1. 01 FOR ENGLISH 2. 02 FOR OTHER LANGUAGES 3. XX # 4. XXX # 5. 90° FOR RADIUS R# 6. FIRST ANGLE PROJECTION		CHECKED	UNIT	Piezo transducer QUARTZ-1		
		APPROVED	SCALE	KPR-2313-1916		
		梁树棠	12.07.06	OEM1916		
		水成锋	mm	DRAWING NO.		
			NOT TO SCALE	SHEET		
				VER 1.1		