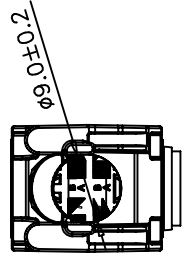
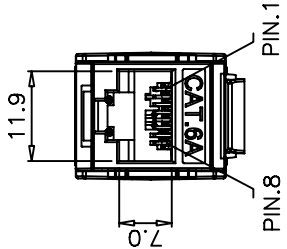
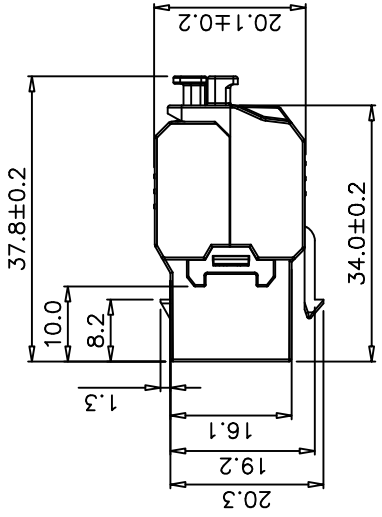


SCALE 1/1



Specification :

Material :

1. RJ45 Jack :
 - 1-1. Housing : ABS+PC, UL 94-V0, Black color.
 - 1-2. Contact Bracket : PC, UL 94-V2, Transparent color.
2. RJ45 Jack Contact :
 - 2-1. Material : Phosphor Bronze with Nickel plated.
 - 2-2. Finish : 50 micro-inch Gold plated on Plug contact area.
3. Cap A&B : PC+Fiber, Black color.
4. IDC :
 - 4-1. Housing : PC+Glass Fiber, Grey color(RAL7035), UL 94-V2.
 - 4-2. Terminal : Phosphor Bronze with Tin plated.
5. IDC Cap : PC+Glass Fiber, UL 94-V2, White color.
6. PCB : FR4, UL 94-V0.

Performance :

- a. T568A & T568B wiring.
- b. Insertion Force : 20N max. (IEC 60603-7-4).
- c. Retention Strength : 7.7 kg between Jack and Plug.
- d. Operating Temperature : -10°C to 60°C. (ISO/IEC 11801, ANSI/TIA/EIA 568B.2).
- e. Life(mating cycles) :
 - e-1. Jack : 750 cycles min. (ISO/IEC 11801, IEC 60603-7-4.)
 - e-2. IDC : Suitable for 23-26 AWG stranded and solid wire, compatible with both 110 & Krone punch down tool.
- e-3. Tool-less : When using the IDC Cap for wire management.
- f. The Cat.6A transmission performance is in compliance with the ANSI/TIA/EIA 568 C.2 standard.

GENERAL TOLERANCE OF DIMENSIONS	CHP
X-XXX ±0.005	DAY
X-XX ±0.05	JAIMY
X.X ±0.1	NAME

DRAWING CHECK	12.APR.2011	12.APR.2011	12.APR.2011	mm	DRAWING NO.
APPROVAL	DATE	UNIT	mm	DES.: CAT.6A UNSHIELDED KEYSTONE JACK	
SCALE	1/1 (A4)	DRAWING NO.	ITEM NO.:	HOYUTEC International Co., Ltd.	
DRAWING CLASSIFICATION		SHEET		1 OF 1	

