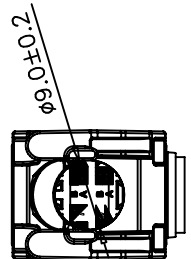
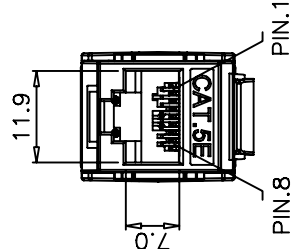
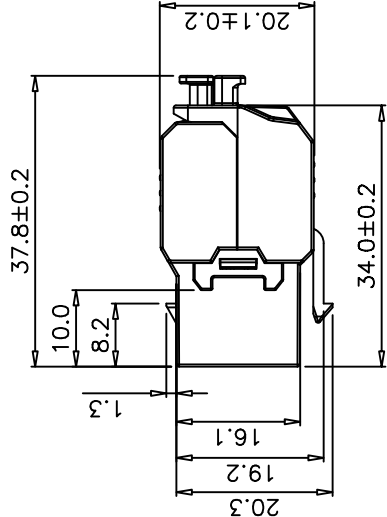


SCALE 1/1



Specification :

Material :

1. RJ45 Jack : 1-1. Housing : ABS+PC, UL 94-V0, Black color. 1-2. Contact Bracket : PC, UL 94-V2, Transparent color.
2. RJ45 Jack Contact : 2-1. Material : Phosphor Bronze with Nickel plated. 2-2. Finish : 50 micro-inch Gold plated on Plug contact area.
3. Cap A&B : ABS+PC, UL 94-V0, Black color.
4. IDC : 4-1. Housing : PC+Glass Fiber, Grey color(RAL7035), UL 94-V2. 4-2. Terminal : Phosphor Bronze with Tin plated.
5. IDC Cap : PC+Glass Fiber, UL 94-V2, White color.
6. PCB : FR4, UL 94-V0.

Performance :

- a. T568A & T568B wiring.
- b. Insertion Force : 20N max. (IEC 60603-7-4).
- c. Retention Strength : 7.7 kg between Jack and Plug.
- d. Operating Temperature : -10°C to 60°C. (ISO/IEC 11801, ANSI/TIA/EIA 568 B.2).
- e. Life(mating cycles) : e-1. Jack : 750 cycles min. (ISO/IEC 11801, IEC 60603-7-4.) e-2. IDC : Suitable for 23-26 AWG stranded and solid wire, compatible with both 110 & Krone punch down tool.
- e-3. Tool-less : When using the IDC Cap for wire management.
- f. The Cat.5E transmission performance is in compliance with the ANSI/TIA/EIA 568 B.2 standard.

GENERAL TOLERANCE OF DIMENSIONS

X.XXX	±0.005
X.XX	±0.05
X.X	±0.1

DRAWING	12.APR.2011	CHP	
CHECK	12.APR.2011	DAY	
APPROVAL	12.APR.2011	JAIMY	
	DATE	NAME	
SCALE	1/1 (A4)	UNIT	mm

	DRAWING NO.
	DRAWING CLASSIFICATION

	S	SHEET	1	OF	1
--	---	-------	---	----	---



ITEM NO.: HYC-K28F112

DES.: CAT.5E UNSHIELDED KEYSTONE JACK

--	--