

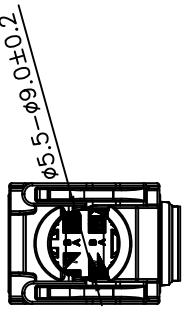
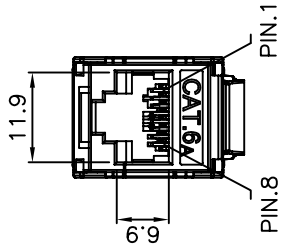
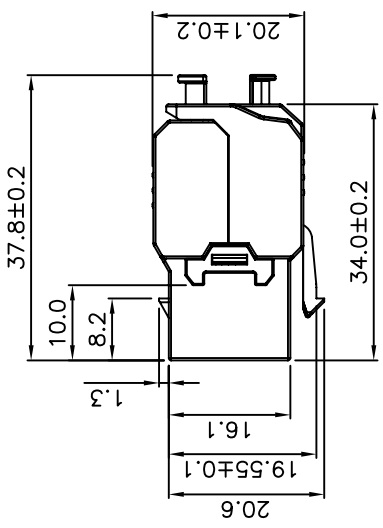
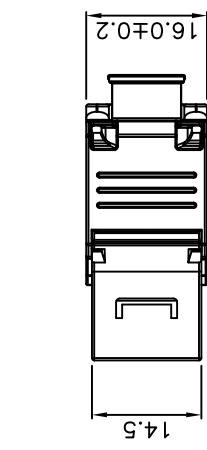
SCALE 1/1

**Specification :**

- Material :**
1. RJ45 Jack :
    - 1-1. Housing : Zinc Die-Casting with Nickel plated.
    - 1-2. Contact Bracket : PC, UL 94-V2, Transparent color.
  2. RJ45 Jack Contact :
    - 2-1. Material : Phosphor Bronze with Nickel plated.
    - 2-2. Finish : 50 micro-inch Gold plated on Plug contact area.
  3. Cap A&B : Zinc Die-Casting with Nickel plated.
  4. IDC :
    - 4-1. Housing : PC+Glass Fiber, Grey color(RAL7035), UL 94-V2.
    - 4-2. Terminal : Phosphor Bronze with Tin plated.
  5. IDC Cap : PC+Glass Fiber, White color, UL 94-V2.
  6. Clip : Stainless Steel.
  7. Grounding Contact : Zinc Die-Casting with Nickel plated.
  8. PCB : FR4, UL 94-V0.

**Performance :**

- a. T568A & T568B wiring.
- b. Insertion Force : 30N max. (IEC 60603-7-5).
- c. Retention Strength : 7.7 kg between Jack and Plug.
- d. Operating Temperature : -10°C to 60°C. (ISO/IEC 11801, ANSI/TIA/EIA 568 B.2).
- e. Life(mating cycles) :
  - e-1. Jack : 750 cycles min. (ISO/IEC 11801, IEC 60603-7-5).
  - e-2. IDC : Suitable for 23-26 AWG stranded and solid wire, compatible with both 110 & Krone punch down tool.
- e-3. Tool-less : When using the IDC Cap for wire management.
- f. The Cat.6A transmission performance is in compliance with the ANSI/TIA/EIA 568 C.2 standard.



GENERAL TOLERANCE OF DIMENSIONS		DRAWING	12.APR.2011	CHP
X.XXX	±0.005	CHECK	12.APR.2011	DAY
X.XX	±0.05	APPROVAL	12.APR.2011	JAIMY
X.X	±0.1			

SCALE	1/1 (A4)	UNIT	mm
DRAWING NO.		DATE	NAME
DRAWING CLASSIFICATION		ITEM NO.:HYC-K28F33	

DES.:CAT.6A FULL SHIELDED KEYSTONE JACK	
DRAWING NO.	
DRAWING CLASSIFICATION	
S	SHEET
1	OF 1

**HOYUTEC**  
International Co., Ltd.