

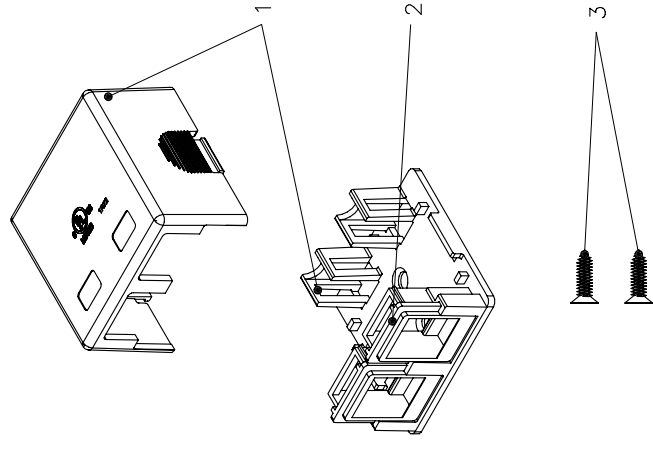
1 2 3 4 5 6

A A

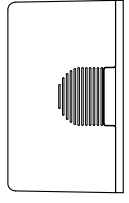
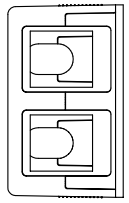
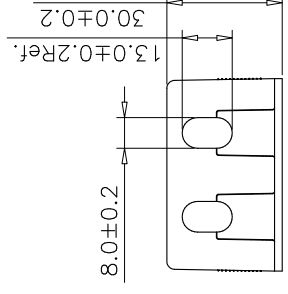
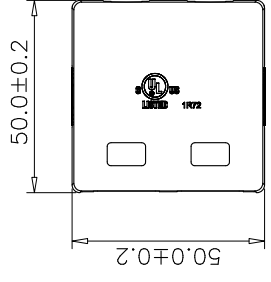
B B

C C

D D



SCALE 1/2



Specification :

- Material :
1. Box : ABS, UL 94V-0, with optional color.
 2. Bracket : ABS, UL 94V-0.
 3. Screw : M4X14.0X7.0mm.

GENERAL TOLERANCE OF DIMENSIONS
 X.XXX ±0.005
 X.XX ±0.05
 X.X ±0.1

DRAWING	29.DEC.2010	WENJUN	
CHECK	29.DEC.2010	JANE	
APPROVAL	29.DEC.2010	JAIMY	
	DATE	NAME	
SCALE	1/2 (A4)	UNIT	mm
	DRAWING NO.		
	DRAWING CLASSIFICATION		S SHEET 1 OF 1

HOYUTEC
International Co., Ltd.

ITEM NO.:HYC-B0102

DES.: SURFACE MOUNTED BOX



1 2 3 4 5 6 10cm