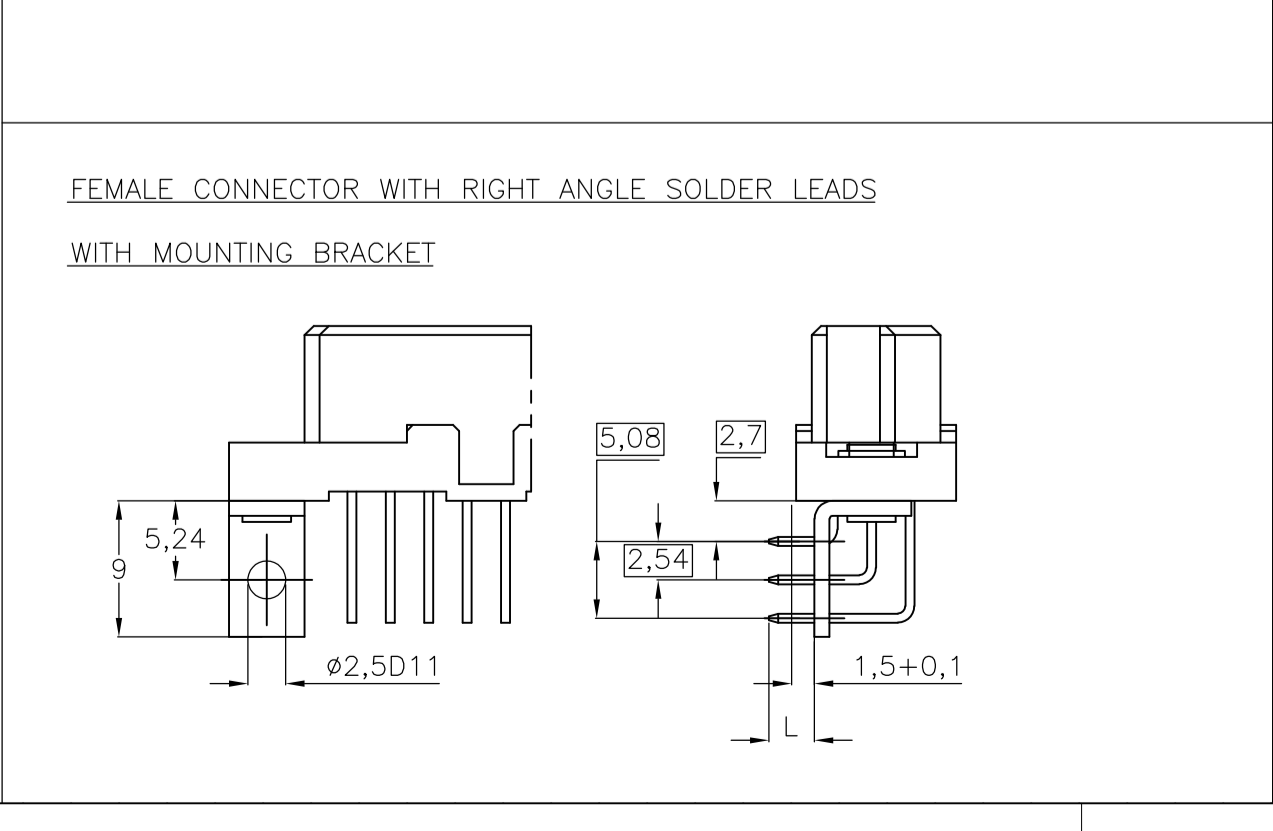
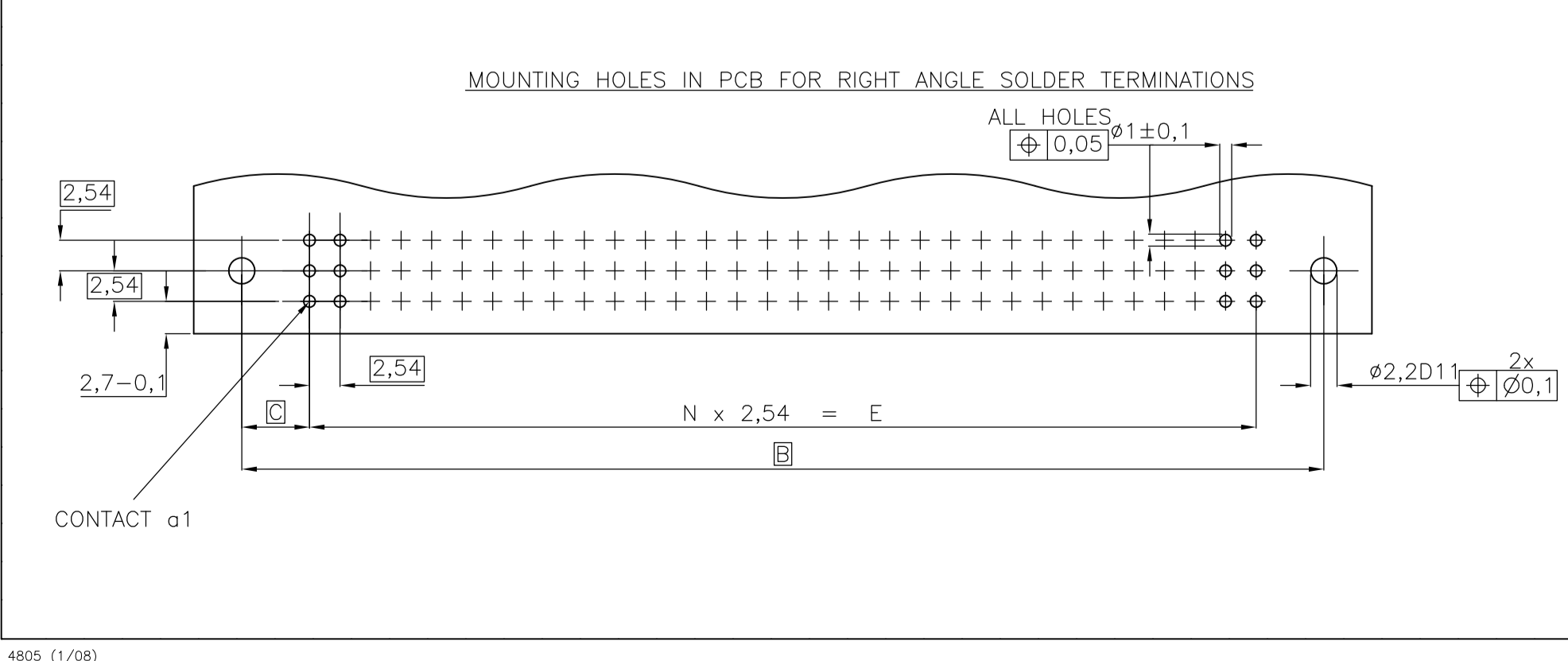
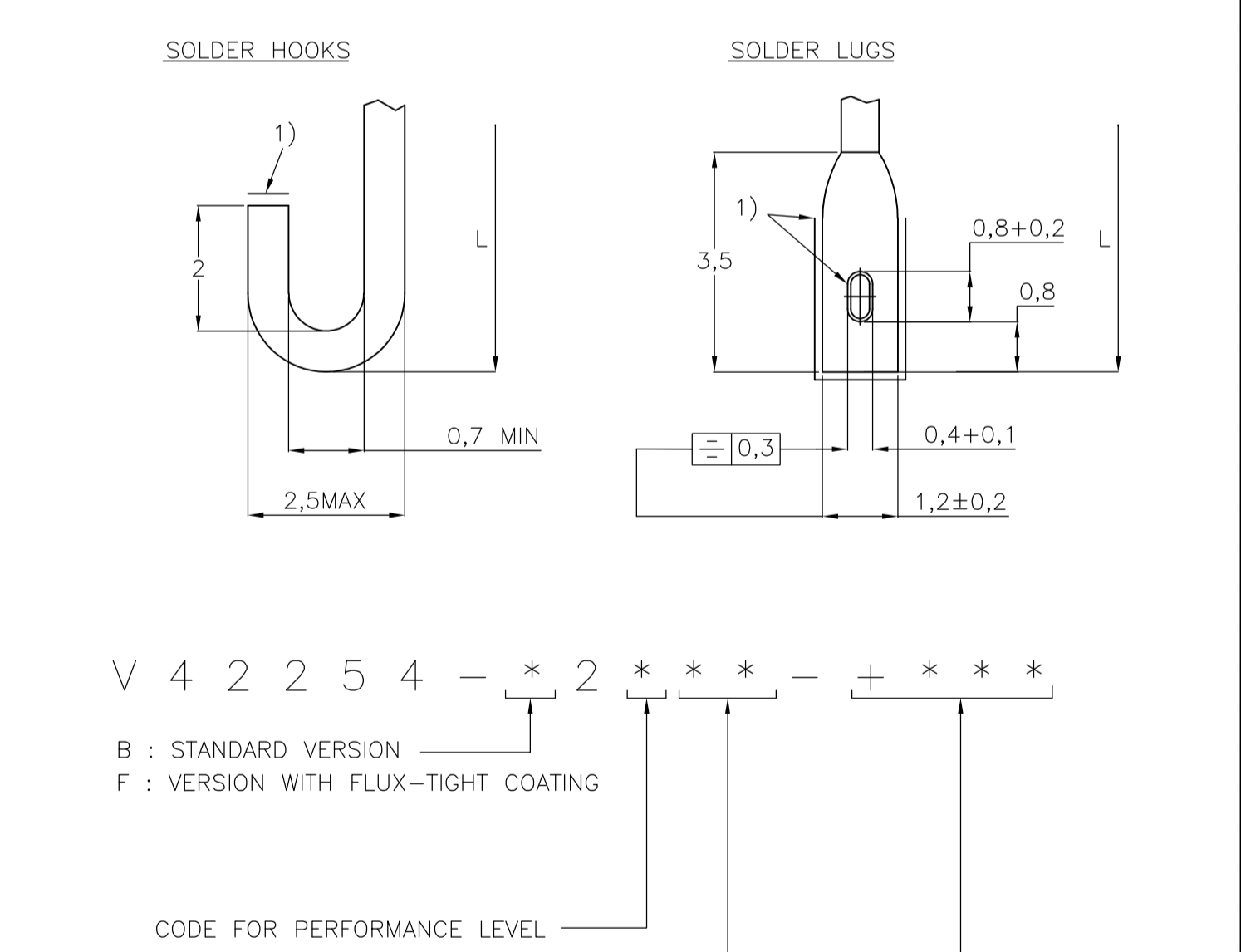
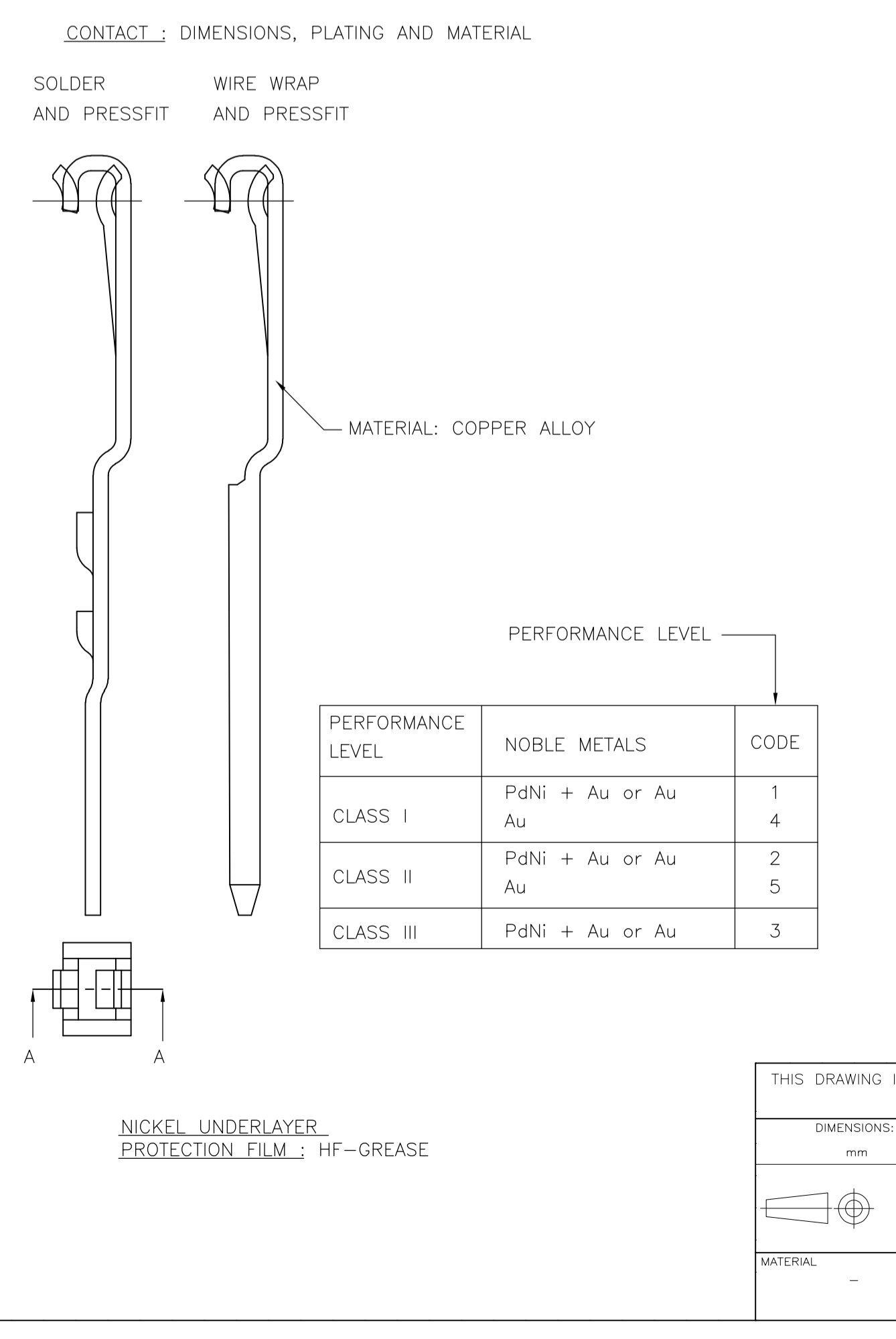
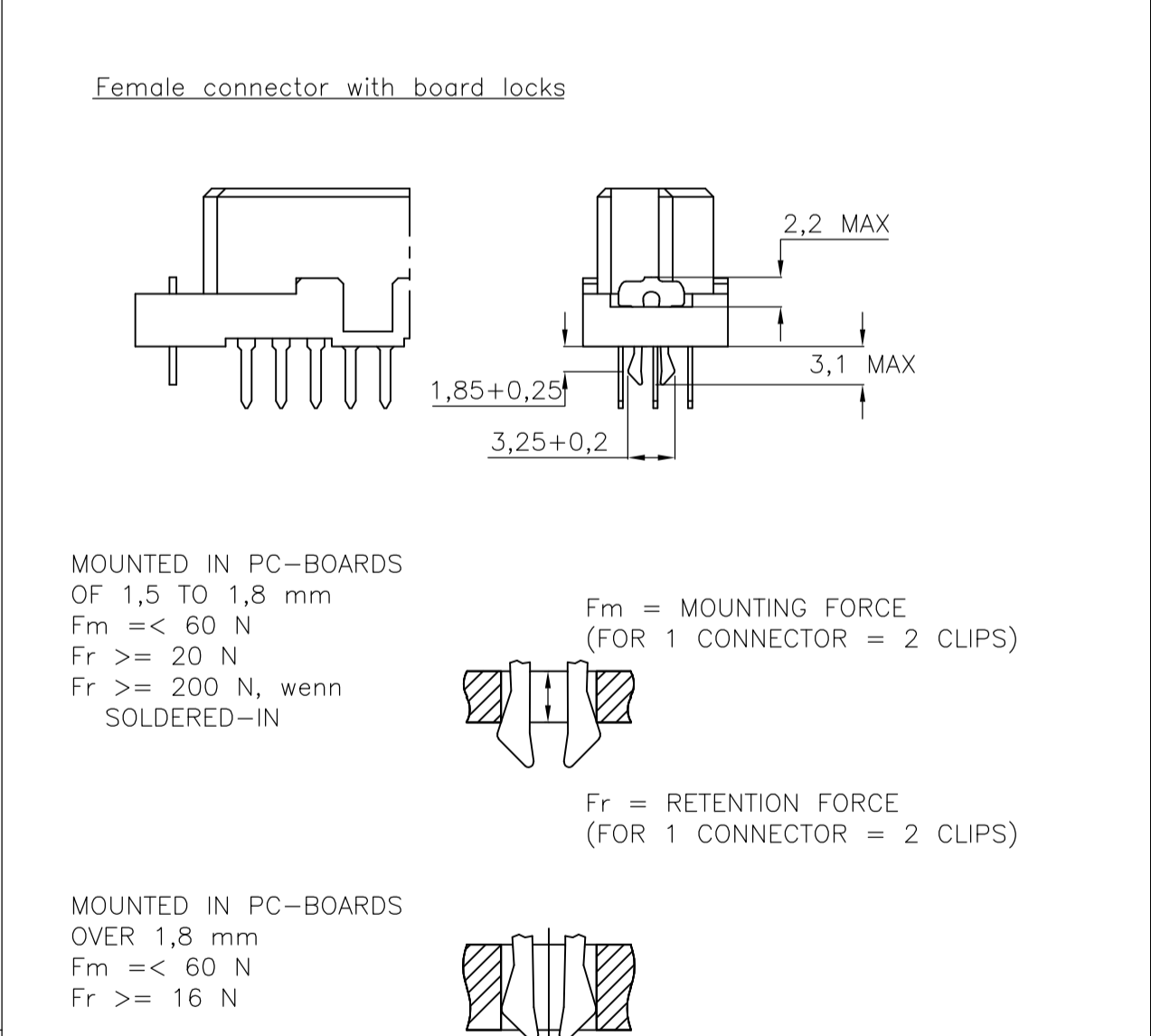
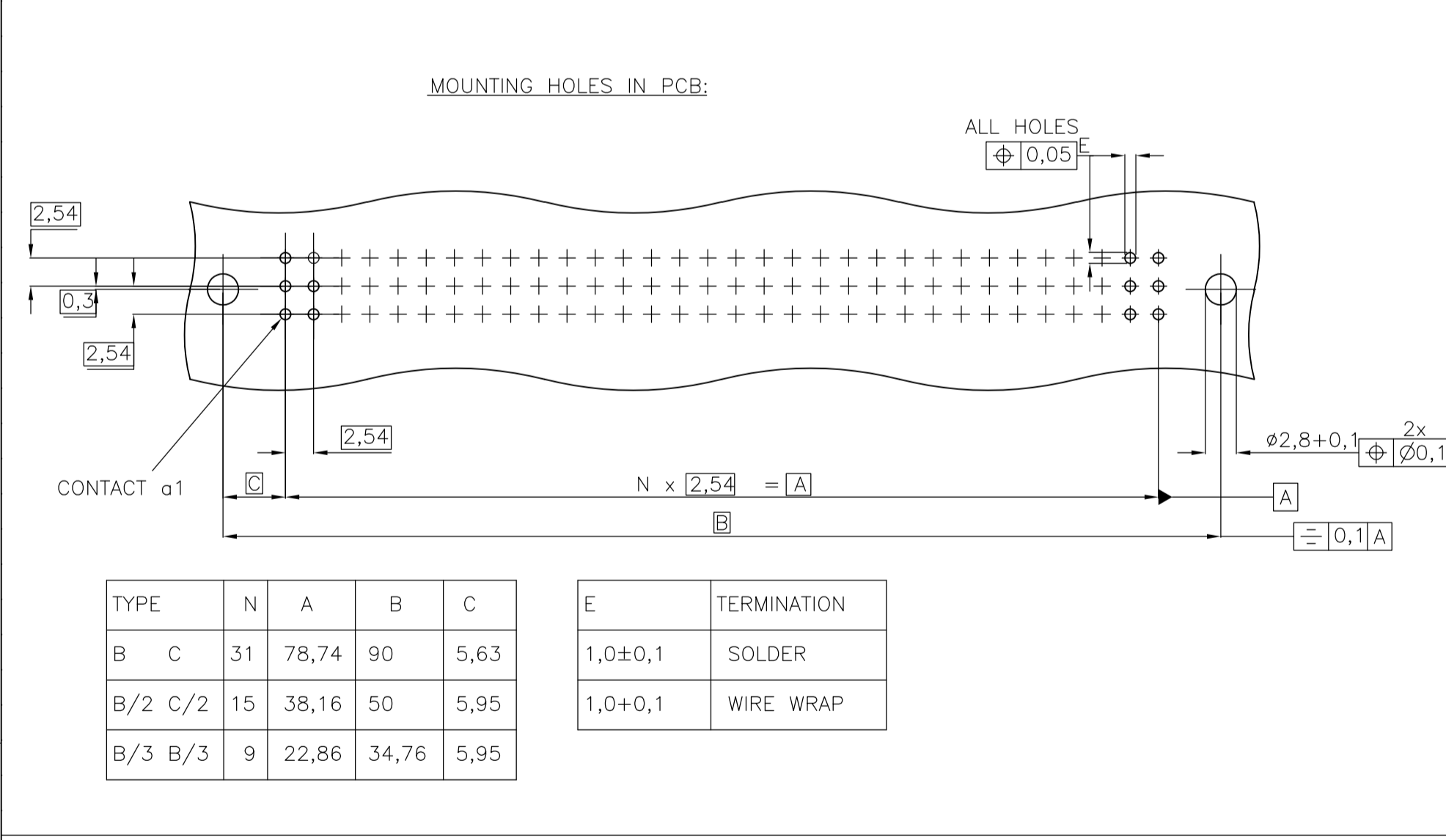


LOC	DIST	REVISIONS			
F	LTR	DESCRIPTION	DATE	DWN	APVD
B5	SR10-0177-03		18-06-03		KV
B6	ECR-08-012253		30-10-08		AEG/MKO
B7	ECR-08-012252		18-03-09		AEG/MKO

SOLDER TERMINATIONS		TERMINATION STYLES		
	SOLDER	L	CODE	
		WIRE WRAP		
			SOLDER HOOKS	
				SOLDER LUGS
	SOLDER RIGHT ANGLE			
		SOLDER RIGHT ANGLE WITH MOUNTING BRACKET		
			TERMINATION WITH SN	



THIS DRAWING IS A CONTROLLED DOCUMENT.

DIMENSIONS: mm	TOLERANCES UNLESS OTHERWISE SPECIFIED:	DWN CUVELIER 14FEB99	Tyco Electronics Tyco Electronics Corporation 's-Hertogenbosch, Nederland
	0 PLC ± -	APVD -	NAME
	1 PLC ± -	PRODUCT SPEC	RECEPTACLE ASSEMBLY EUROCARD TYPES B,C AND SHORT VERSIONS (PN:V42254-B2***-C***-7626)
	2 PLC ± -	APPLICATION SPEC	SIZE CASE CODE DRAWING NO
	3 PLC ± -	RESTRICTED TO	A1 00779 C=1393640-1
4 PLC ± -		WEIGHT	CUSTOMER DRAWING
MATERIAL	FINISH	SCALE NTS	SHEET 1 of 2 REV B7

