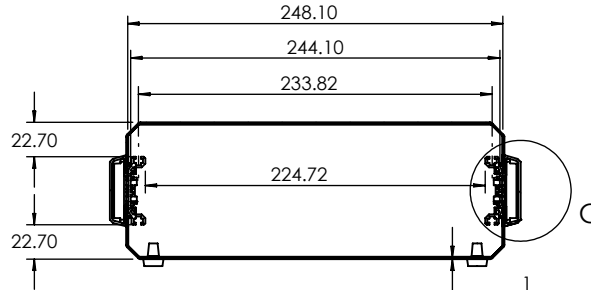
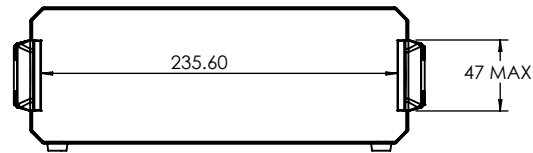
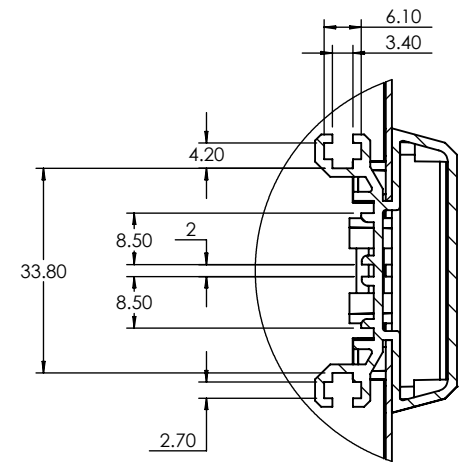


SECTION A-A

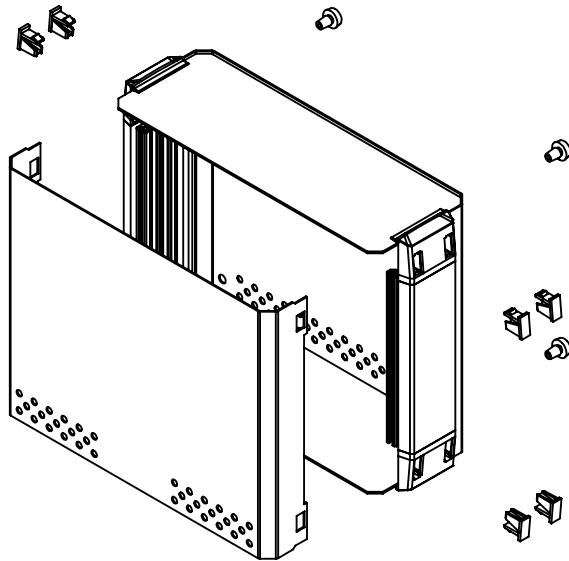
OVERALL ASSEMBLY DIMENTIONS:
 EXTERNAL - 271.6 x 205 x 90.4
 INTERNAL - 248.1 x 193 x 88.4



SECTION B-B



DETAIL C
 SCALE 4 : 5



 JAMES CARTER RD, MILDENHALL, SUFFOLK. IP28 7DE TEL: 01638 716101 FAX: 01638 716554 EMAIL: Sales@CamdenBoss.com WEB: www.CamdenBoss.com				UNLESS OTHERWISE SPECIFIED: DIMENSIONS ARE IN MILLIMETERS	DO NOT SCALE DRAWING	REVISION. ○
				GENERAL TOLERANCES +/- 0.2	TITLE: GNL ASSEMBLY DRG FOR CDIC00004 INSTRUMENT CASE	
	NAME	SIGNED	DATE	MATERIAL.	DWG NO.	CDIC00004
DRAWN	IAN PAGANO	I.P.	18/02/13	VAR		
CHK'D	-	-	-	PROJECTION.	SCALE: 1 : 2	SHEET 1 OF 1

A4