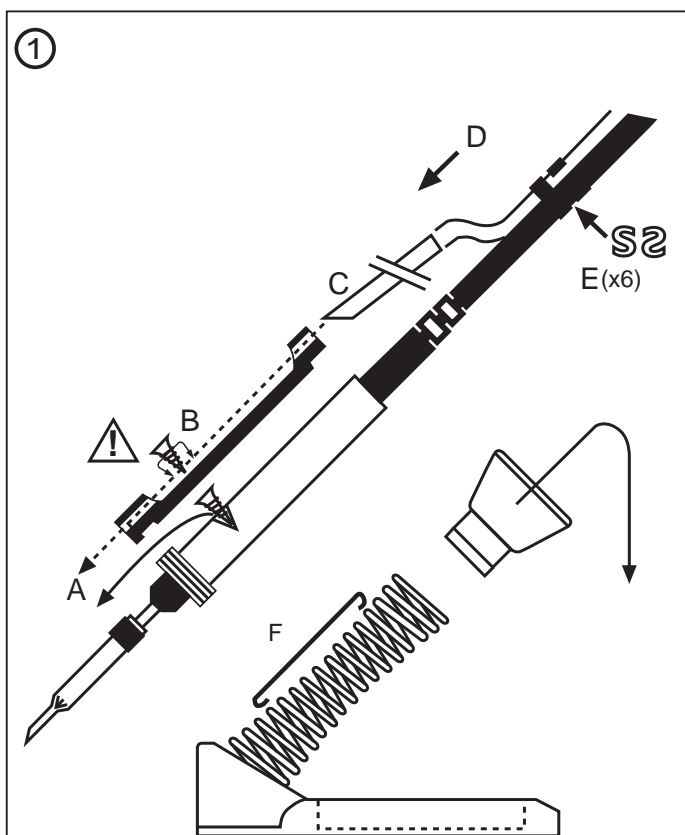




**Instruction Leaflet**

**Fume Extraction Upgrade Kit** **GB**

**Figures**



**RS Stock No.**

685-291

A fume extraction upgrade kit for use with RS stock no's. 542-914, 542-920, 604-551 and 604-545.

**CAUTION:** Do not use the new larger screw without tube carrier.

**Use of fume extraction iron**

When connected to a suitable pump and filtration system, the gaseous fumes and suspended particles will be sucked straight up the fume extraction tube. Practice will find the most comfortable position of holding the iron to give an efficient working position and good view of work.

**Cleaning**

A wire brush is provided to remove any build up of particles which settle or condense on the inside of the steel tube.

RS Components shall not be liable for any liability or loss of any nature (howsoever caused and whether or not due to RS Components' negligence) which may result from the use of any information provided in RS technical literature.



**Assembly Fitting**

- A. Remove fingerhook from iron if fitted. Remove anodised crossheaded screw.
- B. Place yellow polycarbonate tube carrier as shown. Using new screw provided, fix tube carrier to handle.
- C. Slide fume extraction steel tube from rear through both holes of tube carrier.
- D. Connect required length of flexible tubing to rear end of steel tube.
- E. Clip tubing to cable using yellow 'S' clips provided.
- F. Connect steel clip to spring on bench stand to give additional support.