

# KR series

Power rocker switches



## DISTINCTIVE FEATURES

- Unique rocker design
- Wide choice of colors
- Laser etched symbols
- Illuminated or non-illuminated
- Optionally sealed to IP68 or IP69K



## ENVIRONMENTAL SPECIFICATIONS

- Sealing options :
  - K : IP68 to front panel components of switch only according to IEC 60529
  - Z : IP69K panel sealing according to DIN 40050-9
- Salt spray resistance : 96 hours according to IEC 512-6, test 11f
- Vibration resistance : 10-500 Hz / 10 g per IEC 60068-2-6
- Operating temperature : -40 °C to +85 °C (-40 °F to +185 °F)



## ELECTRICAL SPECIFICATIONS

- Current/voltage rating with resistive load :
  - Silver plated contacts :
    - A : 5 A 24 VDC, 100,000 cycles
    - 10 A 24 VDC, 10,000 cycles (terminals 6.35 x 0.8 only)
    - S : 20 A 12 V, 10,000 cycles (see "Build your part number")
  - Gold plated contacts (D) : 20 mA 12 V, 150,000 cycles
- Current/voltage rating with lamp load - silver contacts (A) :
  - functions 1 & 6 : 100 W 24 VDC, 10,000 cycles
  - other functions : 60 W 24 VDC, 10,000 cycles
- Initial contact resistance : 10 mΩ max.
- Insulation resistance : 1,000 MΩ min. at 500 VDC
- Dielectric strength : 2,000 Vrms 50 Hz min. between terminals



## GENERAL SPECIFICATIONS

- Mechanical life : 150,000 cycles min.
- Panel thickness : 0.8 mm to 4.6 mm
- Recommended panel thickness : between 2 mm and 3.5 mm

The company reserves the right to change specifications without notice.



# KR series

Power rocker switches

## MATERIALS

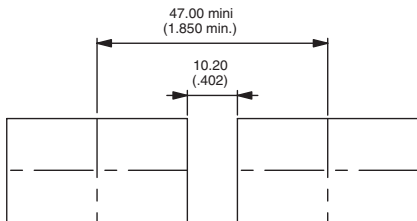
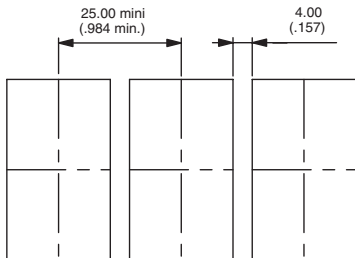
- Case : PA 6-6
- Actuator : ABS
- Bezel : PA 6-6
- Contacts & terminals :  
brass, solid silver grain, silver plated (A or S)  
or brass, solid silver grain, gold plated (D)
- Contact roller : brass, nickel plated

APEM products may be recycled at end-of-life for the re-claiming of valuable metal components.

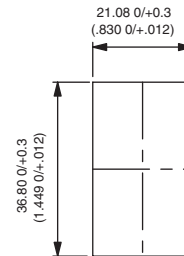
## SEALING

- Sealing is optional. To order a sealed product, complete the appropriate box of ordering format on the following pages.

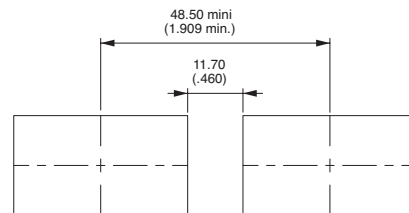
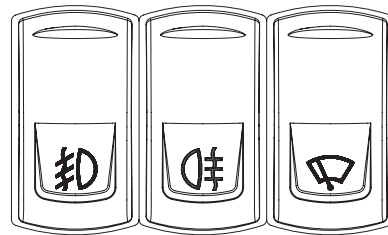
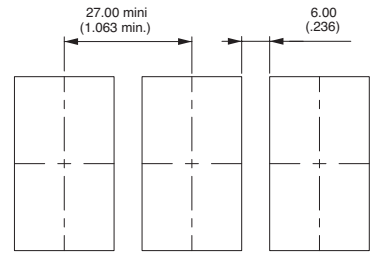
## MATRIX MOUNTING



## PANEL CUT-OUT



## SPECIFIC MATRIX MOUNTING FOR Z VERSION





### ELECTRICAL FUNCTIONS AND CONNECTIONS

In the tables below, terminal connections as viewed from bottom of switch. Only the contact area is represented. For single pole models, only terminals 1, 2 and 3 are to be considered (not terminals 6, 5, 4).

x = w/o terminal  
 o = with terminal  
 ▲ = momentary

#### 2 POSITIONS

|                           |  |  |
|---------------------------|--|--|
|                           |  |  |
| Function 1 *<br>KR31-KR41 |  |  |
| Function 5<br>KR35 - KR45 |  |  |
| Function 6<br>KR36-KR46   |  |  |

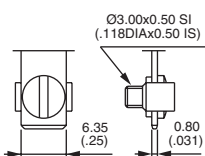
\* Function 1 : Only available for 6 terminal versions.

#### 3 POSITIONS

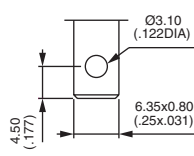
|                          |  |  |  |
|--------------------------|--|--|--|
|                          |  |  |  |
| Function 7<br>KR37-KR47  |  |  |  |
| Function 8<br>KR38-KR48  |  |  |  |
| Function 9<br>KR39-KR49  |  |  |  |
| Function 4<br>KR44       |  |  |  |
| Function 4-1R<br>KR44-1R |  |  |  |



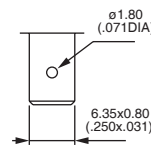
### TERMINALS



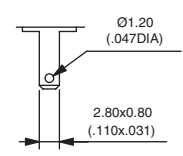
Screw



Solder lug / quick-connect



Normalized quick-connect 6.35x0.8



Normalized quick-connect 2.8x0.8

# KR series

Power rocker switches



## BUILD YOUR PART NUMBER

- To order a complete product, fill in all the boxes of the following order guide.
- To order case only (without actuator), finish your order number with the LED wiring code.
- To order actuator only (without case), begin the order number with code KRR, then follow the order format from "actuator type" until the end of the options.

### CASE + LEADS

|                      |              |                             |  |  |  |   |  |                          |      |
|----------------------|--------------|-----------------------------|--|--|--|---|--|--------------------------|------|
| <b>KR</b>            |              |                             |  |  |  |   | Side A   | Side B                   |      |
| <b>SERIES</b>        | <b>POLES</b> | <b>ELECTRICAL FUNCTIONS</b> |  |  | <b>CONTACTS</b>                                    | <b>SEALING</b>  | <b>LEDS</b>  |                          |      |
|                      |              | <b>1</b> ON - OFF           |  |  | <b>A</b> Silver                                    | <b>X</b> No   |  |                          |      |
| <b>3</b> Single pole |              | <b>4</b> ON ON ON           |  |  | <b>D</b> Gold plated                               | <b>K</b> IP68   |  |                          |      |
| <b>4</b> Double pole |              | <b>4-1R</b> ON ON MOM       |  |  | <b>S</b> Silver 20A***                             | <b>Z</b> IP69K  | <b>X</b> None                                      | <b>F</b> LED 12 V yellow |      |
|                      |              | <b>5</b> MOM - ON           |  |  |  |   | <b>A</b> LED 6 V red                               | <b>N</b> LED 12 V blue   |      |
|                      |              | <b>6</b> ON - ON            |  |  |  |   | <b>B</b> LED 6 V green                             | <b>S</b> LED 12 V white  |      |
|                      |              | <b>7</b> MOM OFF MOM        |  |  |  |   | <b>C</b> LED 6 V yellow                            | <b>J</b> LED 24 V red    |      |
|                      |              | <b>8</b> ON OFF MOM         |  |  |  |   | <b>M</b> LED 6 V blue                              | <b>K</b> LED 24 V green  |      |
|                      |              | <b>9</b> ON OFF ON          |  |  |  |   | <b>R</b> LED 6 V white                             | <b>L</b> LED 24 V yellow |      |
|                      |              |                             |  |  |  |   | <b>D</b> LED 12 V red                              | <b>P</b> LED 24 V blue   |      |
|                      |              |                             |  |  |  |   | <b>E</b> LED 12 V green                            | <b>T</b> LED 24 V white  |      |
|                      |              |                             |  |  |  |   |  |                          | etc. |
|                      |              |                             |  |  | <b>TERMINALS</b>                                   |   |  |                          |      |
|                      |              |                             |  |  | <b>Screw</b>                                       | <b>Normalized quick-connect 6.35x0.8</b>                | <b>Normalized quick-connect 2.8x0.8</b>            |                          |      |
|                      |              |                             |  |  | <b>0</b> 6 terminals with barrier                  | <b>3</b> 6 terminals with barrier                       | <b>G</b> 10 term. with barrier                     |                          |      |
|                      |              |                             |  |  | <b>Solder lug/quick-connect</b>                    | <b>5</b> 6 terminals w/o barrier                        | <b>H</b> 10 term. w/o barrier                      |                          |      |
|                      |              |                             |  |  | <b>2</b> 6 terminals with barrier                  | <b>D</b> 10 term. with barrier                          | <b>J</b> 10 terminals for use with connector U2282 |                          |      |
|                      |              |                             |  |  | <b>4</b> 6 terminals w/o barrier                   | <b>E</b> 10 term. w/o barrier                           |  |                          |      |
|                      |              |                             |  |  | <b>A</b> 10 term. with barrier                     | <b>F</b> 10 term. for use with connector U2292 or U3152 |  |                          |      |
|                      |              |                             |  |  | <b>B</b> 10 term. w/o barrier                      |   |  |                          |      |
|                      |              |                             |  |  | <b>C</b> 10 terminals for use with connector U2292 |   |  |                          |      |

Function 1 only for 6-terminal versions.

\*\*\*S contacts for all functions except 44-1R - for normalized quick-connect terminals 6.35x0.8 only.

### ACTUATOR

|  |                      |                            |                |        |        |
|--|----------------------|----------------------------|----------------|--------|--------|
|  |                      |                            | Area A         | Area M | Area B |
| <b>TYPE</b>                              | <b>COLOR</b>         | <b>MARKING ORIENTATION</b> | <b>SYMBOLS</b> |        |        |
| <b>1</b> For non-illuminated application | <b>1</b> Blue        | <b>5</b> Yellow            |                |        |        |
| <b>2</b> For illuminated application     | <b>1/4</b> Dark blue | <b>6</b> Red               |                |        |        |
|  | <b>2</b> Black       | <b>7</b> Ivory             |                |        |        |
|  | <b>3</b> Green       | <b>9</b> Orange            |                |        |        |
|  | <b>4</b> Grey        |                            |                |        |        |

**N** North  
**O** West  
**S** South  
**E** East

Drawings on following pages.

**Symbols & Accessories :** see end of the series.

**NOTICE :** please note that not all combinations of above numbers are available. Refer to the following pages for further information.

# KR series

Power rocker switches

## 6 TERMINAL VERSION



|      | Single pole | Double pole | 2-3<br>5-6 | 1-2<br>4-5 |  |
|------|-------------|-------------|------------|------------|--|
| KR31 | KR41        | ON          | -          | OFF        |  |
|      |             | ON          | ON         | ON         |  |
|      |             | ON          | ON         | MOM        |  |
| KR35 | KR45        | MOM         | -          | ON         |  |
|      |             | ON          | -          | ON         |  |
| KR36 | KR46        | ON          | -          | ON         |  |
| KR37 | KR47        | MOM         | OFF        | MOM        |  |
| KR38 | KR48        | ON          | OFF        | MOM        |  |
| KR39 | KR49        | ON          | OFF        | ON         |  |

\*Function 4 : single pole in double pole case

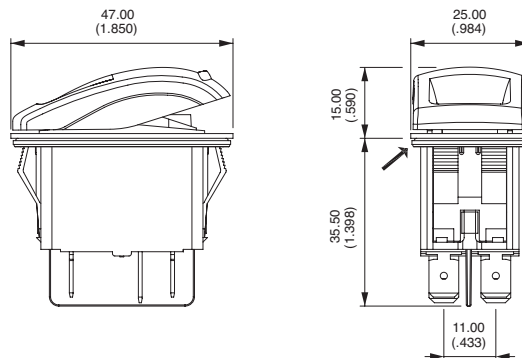
## 10 TERMINAL VERSION



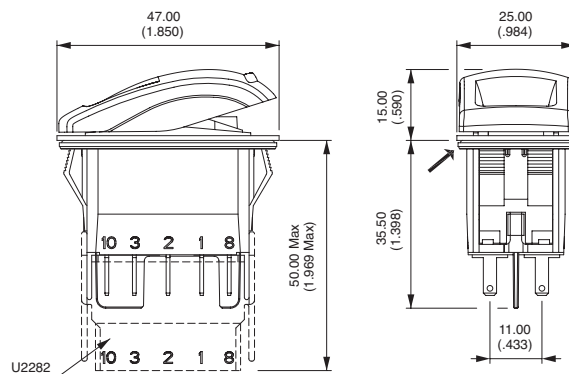
|      | Single pole | Double pole | 2-3<br>5-6 | 1-2<br>4-5 |  |
|------|-------------|-------------|------------|------------|--|
| KR35 | KR45        | ON          | ON         | ON         |  |
|      |             | ON          | ON         | MOM        |  |
| KR36 | KR46        | ON          | -          | ON         |  |
|      |             | ON          | -          | ON         |  |
| KR37 | KR47        | MOM         | OFF        | MOM        |  |
| KR38 | KR48        | ON          | OFF        | MOM        |  |
| KR39 | KR49        | ON          | OFF        | ON         |  |

\*Function 4 : single pole in double pole case

→ FLAT SEAL



→ FLAT SEAL



### CASE + LEDS

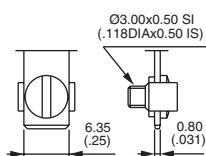
### TERMINALS



To order case only (without actuator), finish your order number with the LED wiring code.

### SCREW

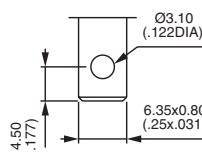
0 6 terminals with barrier



screw

### SOLDER LUG / QUICK-CONNECT

- 2 6 terminals with barrier
- 4 6 terminals w/o barrier
- A 10 terminals with barrier
- B 10 terminals w/o barrier
- C 10 terminals for use with connector U2292 or U3152



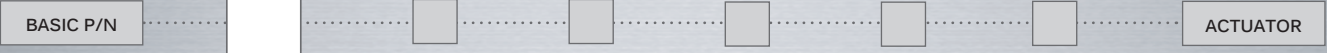
Solder lug / quick-connect

# KR series

Power rocker switches

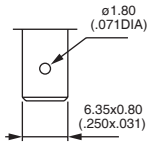
**CASE + LEDS**

**TERMINALS  
(CONTINUED)**



**NORMALIZED QUICK-CONNECT 6.35X0.8**

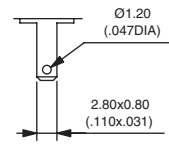
- 3 6 terminals with barrier
- 5 6 terminals w/o barrier
- D 10 terminals with barrier
- E 10 terminals w/o barrier
- F 10 terminals for use with connector U2292 or U3152



Normalized quick-connect 6.35x0.8

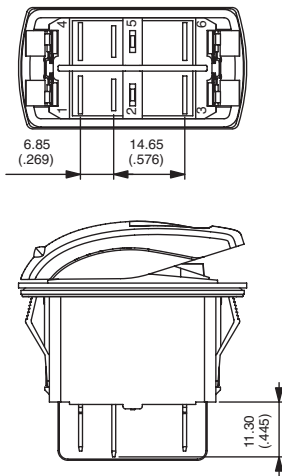
**NORMALIZED QUICK-CONNECT 2.8X0.8**

- G 10 terminals with barrier
- H 10 terminals w/o barrier
- J 10 terminals for use with connector U2282

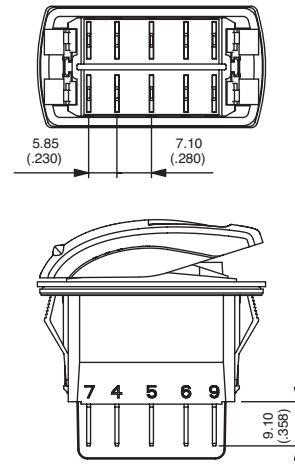


Normalized quick-connect 2.8x0.8

**6 TERMINAL VERSION**



**10 TERMINAL VERSION**



Terminals are marked on the case. The drawings show the maximum possible number of terminals.

**CASE + LEDS**

**CONTACT MATERIALS**



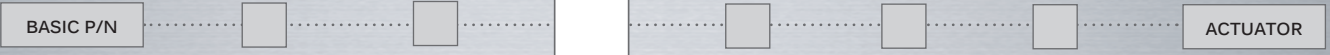
- A Silver
- D Silver, gold plated
- S Silver 20A. For all functions except 44-1R - for normalized quick-connect terminals 6.35x0.8 only.

# KR series

Power rocker switches

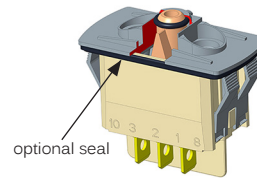
## CASE + LEADS

## SEALING

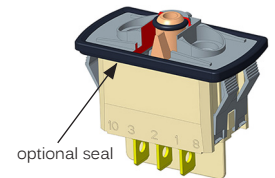


- X No sealing
- K IP68 (front panel components of switch only)
- Z IP69K - Installation notice available on request

Ultrasonic welding of frame to case is standard on all versions. The ultrasonic welding and the optional panel seal prevent water and dust from introducing into the switch housing.



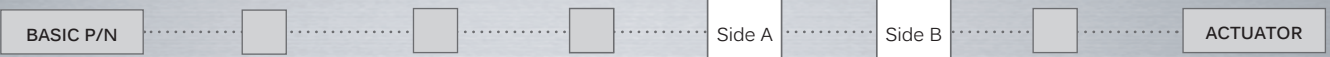
K



Z

## CASE + LEADS

## LEADS



Complete each enlarged box with one of the codes listed below.

- X Without LED

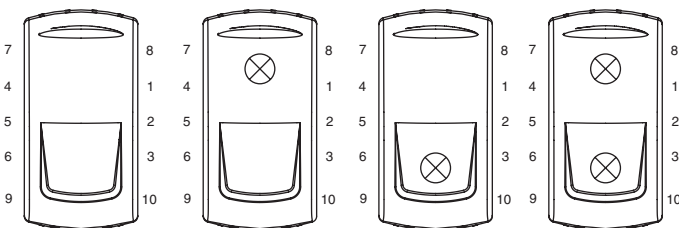
|             | Red | Green | Yellow | Blue | White | Amber | Red/green |
|-------------|-----|-------|--------|------|-------|-------|-----------|
| 6 VDC       | A   | B     | C      | M    | R     | 4     | 1         |
| 12 VDC      | D   | E     | F      | N    | S     | 5     | 2         |
| 24 VDC      | J   | K     | L      | P    | T     | 6     | 3         |
| No resistor | U   | V     | W      | Y    | Z     | 9     | 8         |

LED consumption : 20 mA @ nominal voltage (25 °C / 77 °F)  
 Other illumination solutions : on request.

For non-stabilized on-board power supplies submitted to potential voltage surges due to the alternator, 15 V and 30 V LED configurations are also available on request.

LED Tolerance  $\pm 10\%$

## Side A



## Side B

# KR series

Power rocker switches

CASE + LEDS

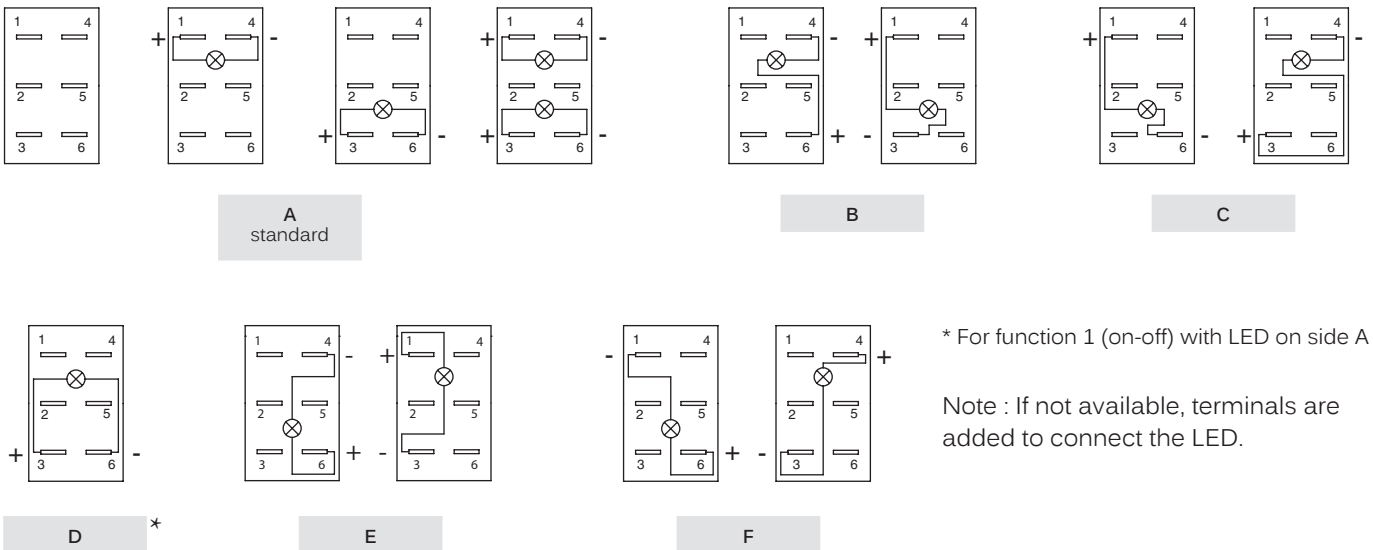
WIRING

BASIC P/N

ACTUATOR

The LED wiring diagram is shown on the case.

FOR 6 TERMINAL VERSIONS - LED CONNECTED TO THE LOAD



\* For function 1 (on-off) with LED on side A

Note : If not available, terminals are added to connect the LED.

FOR 10 TERMINAL VERSIONS - INDEPENDENT LED OR INTEGRATED FUNCTIONS

**G** Standard, to have independent LED.

**H** To obtain 2 symbol illumination levels (night illumination when OFF and higher illumination when ON).

- H wiring with LED on side A available with functions 6, 8, 9 and 44.

- H wiring with LED on side B available with functions 5, 6 and 9.

- H wiring with 2 LEDs available with functions 8 and 9.

More information (H wiring schematics) : on request.  
*Dotted line = external wiring, continuous line = internal wiring*

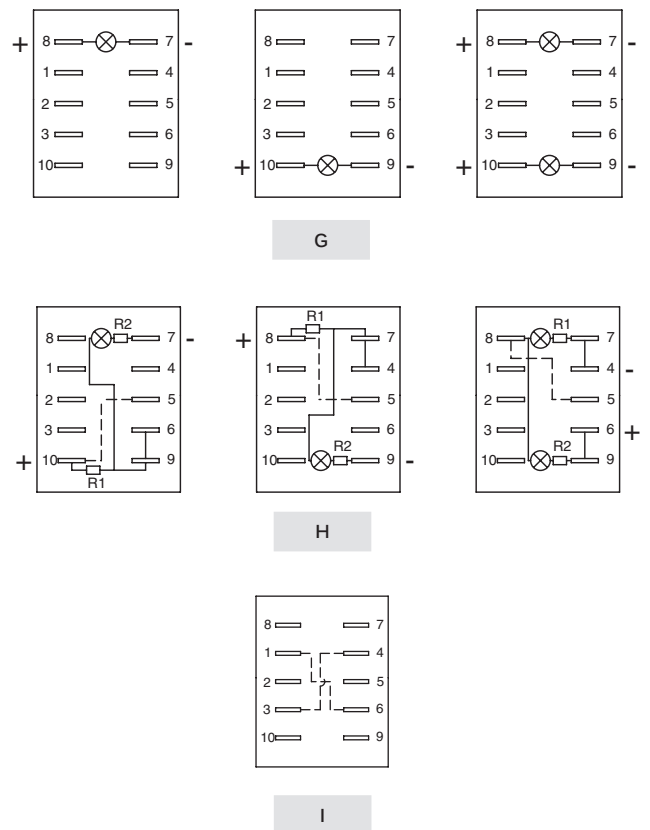
Available in Single Pole only, with H and J quick-connect terminals.

**I** To have a polarity inversion (typical application : fan motor).

*Dotted line = external wiring*

Power supply between 2 and 5 - Load between 1 and 4 or 3 and 6.

Available with H and J quick-connect terminals.



Please contact us for other wiring solutions.



# KR series

Power rocker switches

## ACTUATOR

### ACTUATOR TYPE



To order actuator only (without case), begin the order number with code KRR, then follow the order format from "actuator type" until the end of the options.

- 1 For non-illuminated application
- 2 For illuminated application

Other rocker design : on request.



## ACTUATOR

### ACTUATOR COLOR



- 1 Blue
- 1/4 Dark blue
- 2 Black
- 3 Green
- 4 Grey
- 5 Yellow
- 6 Red
- 7 Ivory
- 7/1 White
- 9 Orange



Note : colors 7 and 7/1 not available on illuminated versions.

A soft-touch varnish can be added. Consult us.

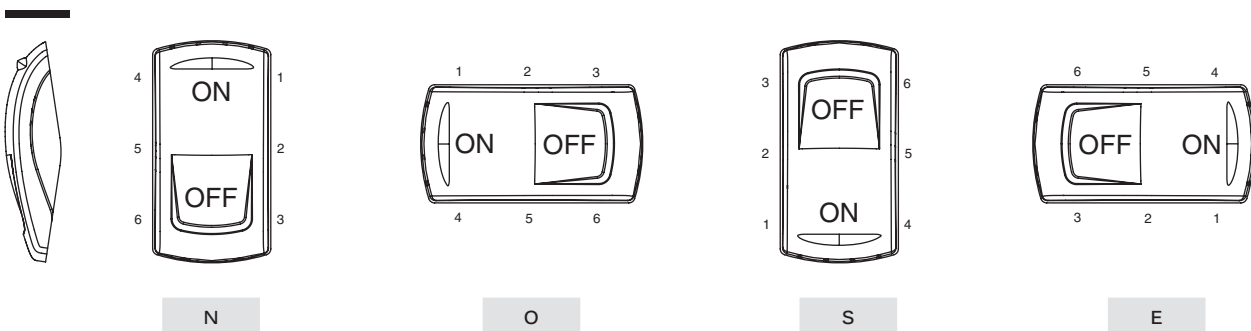
## ACTUATOR

### MARKING ORIENTATION



If no marking required, complete the box with code N.

Other orientations : on request



# KR series

Power rocker switches

## ACTUATOR

## SYMBOLS



XX No symbol

**Available symbols :** Complete each enlarged box with the one of the codes listed on the following pages.

**Marking color :** White marking for illuminated rockers (laser etching) and non-illuminated black rockers (pad printing). Black marking for non-illuminated color rockers (pad printing).  
Other : on request.

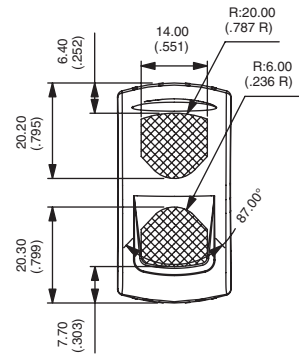
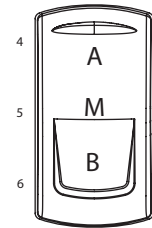
### Laser etching resistance

- Water and petrol resistant according to EN 61058-1
- Tear resistant (cross-cut test) according to NF ISO 2409 : class 0
- UV resistant according to ISO 4892-2

### Marking area

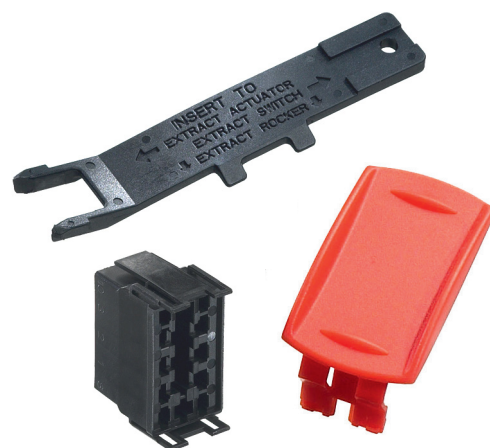
For illuminated versions. The symbol will be included in the hatched area. Marking in M area : on request.

### MARKING AREA



# K range

Power rocker switches and indicators •  
symbols and accessories



Most symbols meet the ISO 7000 standard “graphical symbols for use on equipment” (code given in bracket in the description).

Contact us for symbols not featured in the following tables.

| CODE | SYMBOL      | DESCRIPTION            |
|------|-------------|------------------------|
| XX   | None        | -                      |
| 01   | <b>ON</b>   | -                      |
| 02   | <b>OFF</b>  | -                      |
| 03   | ○           | -                      |
| 04   | I           | -                      |
| 05   | II          | -                      |
| 06   | <b>STOP</b> | -                      |
| 07   | <b>A</b>    | Stop                   |
| 08   | <b>M</b>    | Motion                 |
| 09   | ▲           | Up motion              |
| 10   | ▼           | Down motion            |
| 11   | ☀           | Hot                    |
| 12   | ✖           | Cold                   |
| 13   | ⚠           | Hazard warning (0085)  |
| 14   | ☀           | Traveller lighting     |
| 15   | ☀           | Driver lighting (1421) |

| CODE | SYMBOL | DESCRIPTION                          |
|------|--------|--------------------------------------|
| 16   | ☀      | Revolving light                      |
| 17   | ☀      | Rear ventilator                      |
| 18   | ☀      | Heating (0637)                       |
| 19   | ☀      | Door opening                         |
| 20   | ☀      | Windshield demister/defroster (0635) |
| 21   | ☀      | Windshield wiper (0086)              |
| 22   | ☀      | Windshield washer (0088)             |
| 23   | ☀      | Ventilator fan (0089)                |
| 24   | ☀      | Side mirror defroster                |
| 25   | ☀      | Restarting pump                      |
| 26   | ☀      | Front fog lights (0633)              |
| 27   | ☀      | Rear fog lights (0634)               |
| 28   | ☀      | Propulsion system trim               |
| 29   | ☀      | Beacon (1141)                        |
| 30   | ☀      | Anchor                               |
| 31   | ☀      | Electric motor (0011)                |

| CODE | SYMBOL     | DESCRIPTION                           |
|------|------------|---------------------------------------|
| 32   | ☀          | Emergency first aid vehicle (2565)    |
| 33   | ☀          | Load tipping (1557)                   |
| 34   | ☀          | Loading light (2457)                  |
| 35   | ☀          | Tractor, rear-ward (1667)             |
| 36   | ☀          | Combine, direction of movement (1678) |
| 37   | ☀          | Use no forks (2406)                   |
| 38   | ☀          | Transmission (1166)                   |
| 39   | ☀          | Working spot light (1145)             |
| 40   | ☀          | Engine (0640)                         |
| 41   | ☀          | Horn (0244)                           |
| 42   | ☀          | Lock (1656)                           |
| 43   | ☀          | Taxi sign light (2551)                |
| 44   | ☀          | Working light (1204)                  |
| 45   | ☀          | Working light symmetric (1204)        |
| 46   | ☀          | -                                     |
| 47   | <b>ASM</b> | -                                     |

# K range

Power rocker switches and indicators • symbols and accessories

| CODE | SYMBOL | DESCRIPTION               | CODE | SYMBOL | DESCRIPTION              | CODE | SYMBOL | DESCRIPTION                  |
|------|--------|---------------------------|------|--------|--------------------------|------|--------|------------------------------|
| 48   |        | All wheel drive           | 69   |        | Engine idle control      | 90   |        | ECAS reset                   |
| 49   |        | Differential lock (1662)  | 70   |        | Cruise res/set           | 91   |        | Driver windows heating       |
| 50   |        | -                         | 71   |        | Driver windows up/down   | 92   |        | Cruise set                   |
| 51   |        | -                         | 72   |        | Middle door opening      | 93   |        | Air bag up/down              |
| 52   |        | -                         | 73   |        | Front door opening       | 94   |        | Read lighting                |
| 53   |        | -                         | 74   |        | Lighting in baggage room | 95   |        | Lighting main switch         |
| 54   |        | Rear window wiper (0097)  | 75   |        | Cruise on/off            | 96   |        | Heating using water          |
| 55   |        | Rear window washer (0099) | 76   |        | TV                       | 97   |        | Low beam                     |
| 56   |        | Lower load (2223)         | 77   |        | Pump                     | 98   |        | Position lights              |
| 57   |        | Cab lock (1560)           | 78   |        | Toilet                   | 99   |        | Diesel acceleration          |
| 58   |        | Extraction                | 79   |        | Toilet decontamination   | A1   |        | Manual mode                  |
| 59   |        | Pumping in                | 80   |        | Front windshield heating | A2   |        | Clockwise cabin rotation     |
| 60   |        | Rear PTO (1572)           | 81   |        | Aus                      | A3   |        | Anticlockwise cabin rotation |
| 61   |        | Front PTO                 | 82   |        | Radiator fan             | A4   |        | -                            |
| 62   |        | Rockshaft down            | 83   |        | Remove retarder          | A5   |        | -                            |
| 63   |        | Rockshaft up              | 84   |        | Restricted speed         | A6   |        | Parking brake                |
| 64   |        | Indicator                 | 85   |        | Preheater                | A7   |        | -                            |
| 65   |        | Brake release             | 86   |        | ABS detection            | A8   |        | -                            |
| 66   |        | Baggage room left door    | 87   |        | ECAS detection           | A9   |        | -                            |
| 67   |        | Baggage room right door   | 88   |        | Engine stop              | AA   |        | -                            |
| 68   |        | Power blinds              | 89   |        | Cruise res/cancel        | AB   |        | -                            |

# K range

Power rocker switches and indicators • symbols and accessories

| CODE | SYMBOL | DESCRIPTION                                 |
|------|--------|---|
| AC   |        | -   |
| AD   |        | -   |
| AE   |        | -   |
| AF   |        | -   |
| AG   |        | Battery charging condition (0247)           |
| AH   |        | Turn signals (0084)                         |
| AJ   |        | High beam (0082)                            |
| AK   |        | Differential lock, bogie (2600)             |
| AL   |        | Brushing with a rotating brush (0070)       |
| AM   |        | Differential lock, transfer case 4x4 (2475) |
| AN   |        | Loader bucket, float (1441)                 |
| AP   |        | Loader bucket (1437)                        |
| AQ   |        | Rear window washer & wiper (0098)           |
| AR   |        | Header, Header drive (1579)                 |
| AS   |        | Excavator/backhoe boom side shift (2091)    |
| AT   |        | Chemical water treatment (1851)             |
| AU   |        | Grapple skidder, single funct° boom (1762)  |

| CODE | SYMBOL | DESCRIPTION |
|------|--------|-------------|
| AV   |        | -           |
| AW   |        | -           |
| AY   |        | -           |
| AZ   |        | -           |
| B1   | HIGH   | -           |
| B2   | LOW    | -           |
| B3   |        | -           |

### Legend scale

Depending on space available on the product (see "Symbols" section at the end of each series).

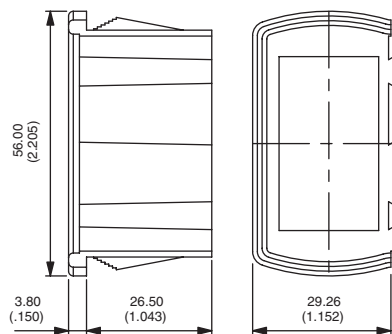
# K range

Power rocker switches and indicators • symbols and accessories

## MOUNTING PANELS

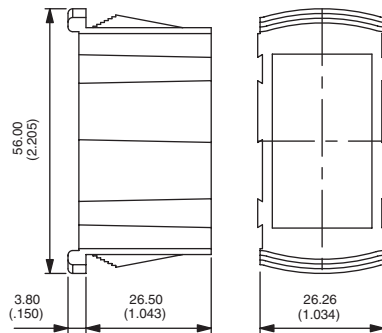
(NOT SUITABLE FOR USE WITH THE KH SERIES)

MOUNTING PANEL END



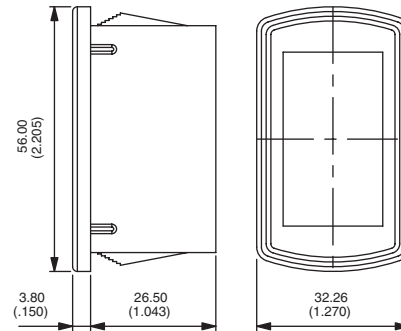
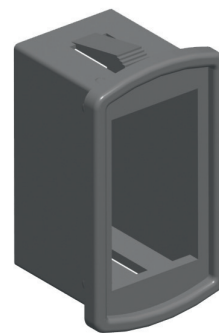
U2261

MOUNTING PANEL MIDDLE



U2262

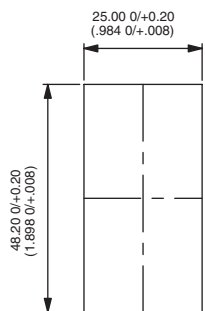
SINGLE MOUNTING PANEL



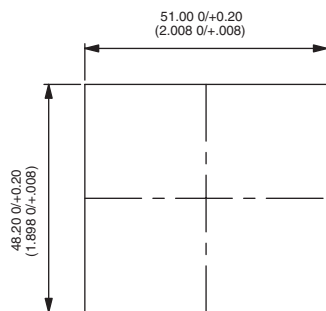
U2267

Recommended panel thickness : 1.10 mm - 1.80 mm - 2.60 mm - 3.40 mm - 4.20 mm - 5 mm - 5.80 mm

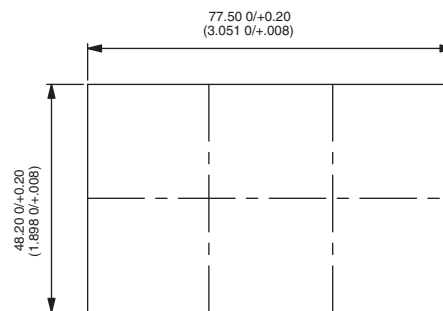
## MOUNTING PANEL CUT-OUT



For 1 element U2267



For 2 elements U2261



For 3 elements (2xU2261 + 1x U2262)

For additional elements, add 26.40 mm (1.039)

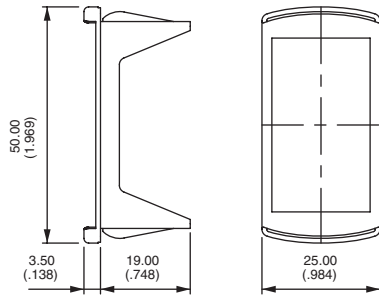
# K range

Power rocker switches and indicators • symbols and accessories

## 22 X 44 ADAPTERS

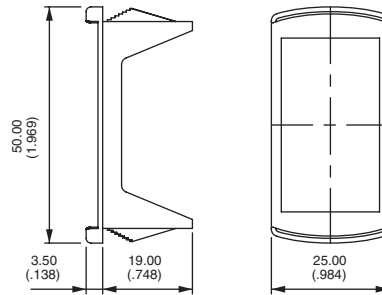
(NOT SUITABLE FOR USE WITH THE KH SERIES)

FRONT PANEL DISMOUNTING



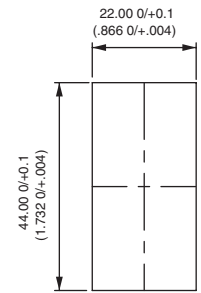
U3060

REAR PANEL DISMOUNTING



U3070

PANEL CUT-OUT



**Recommended panel thickness**

**U3060** 0.60 mm to 1.50 mm

**U3070** 1.60 mm -0.1/0 to 5.60 mm -0.1/0 in stages of 0.40 mm

**Adapter colors (replace 0 with code)**

- 1/4 Dark blue
- 2 Black
- 4 Grey
- 5 Yellow
- 6 Red
- 7/1 White

## ACTUATOR REMOVING TOOL

(NOT SUITABLE FOR USE WITH KH1 MODELS - 4-SIDE PROTECTION GUARDS)

### Extract actuator (KR only)

Allows the extraction of the rocker / rocker support assembly. Place the 2 claws under the support and push as indicated by the arrow.

### Extract rocker (KR only)

Allows to separate the rocker from its support. Insert the tool between rocker and support as indicated by the arrow. Pull out the tool in the opposite direction.

### Extract switch (KR, KL and KI)

Allows to extract switch from panel mounting units. 2 Tools are necessary. Insert the tools between switch and panel mounting units from the rear to compress the snap-in device. Pull off switch manually.



U3052

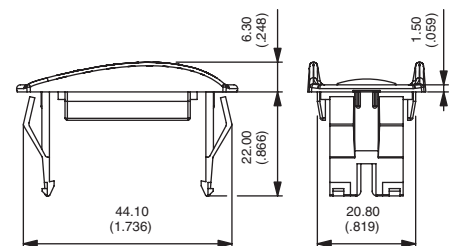
to be ordered by pairs

## BLANKING CAPS

Usefull for future extensions.

Connectors can be hanged on specific hole plugs. Contact APEM.

- |         |           |       |        |
|---------|-----------|-------|--------|
| U2271   | Blue      | U2275 | Yellow |
| U2271/4 | Dark blue | U2276 | Red    |
| U2272   | Black     | U2277 | Ivory  |
| U2273   | Green     | U2279 | Orange |
| U2274   | Grey      |       |        |



Recommended panel thickness : 1.50 mm to 6 mm



# K range

Power rocker switches and indicators • symbols and accessories

## CONNECTORS

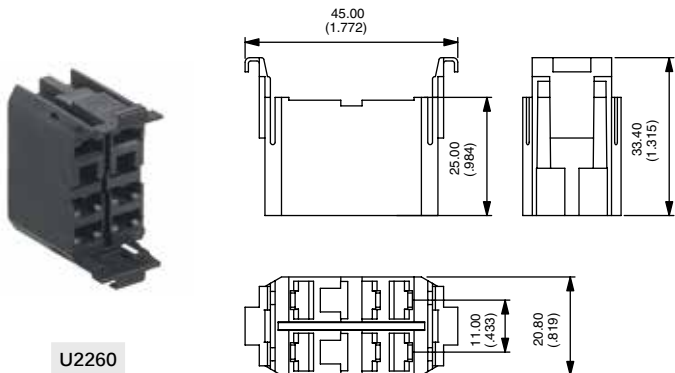
Standard color : black. Other colors : on request. Connectors cannot be combined with wiring types H and I.

**U2260** 6 terminal version. For use with terminals type 2, 3, 4 or 5.  
6.35 (1/4) tabs to be fitted by the user (example : TE42282-2).  
Can be used for the KG series.

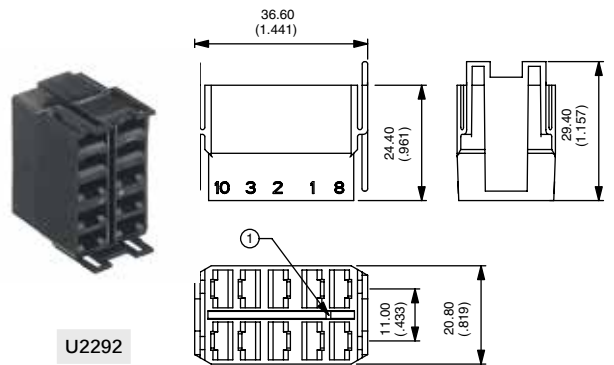
**U2282** 10 terminal version. For use with terminals type H or J.  
2.8 (.110) tabs to be fitted by the user (example : AMP/Tyco 0-927779-3).

**U2292** 10 terminal version : For use with terminals type B, C, E or F.  
6.35 (1/4) tabs to be fitted by the user (example : TE42282-2).

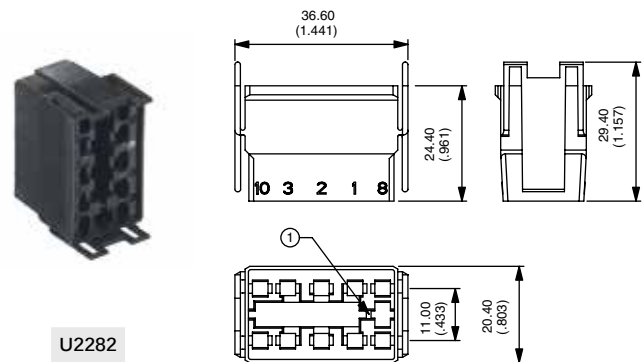
**U3152** 10 terminal version. For use with terminals type B, C, E or F.  
6.35 (1/4) tabs to be fitted by the user (example : "Timer" terminals TE927833-2)



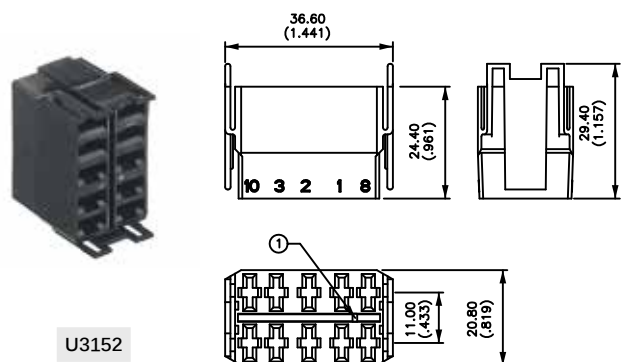
U2260



U2292



U2282



U3152