
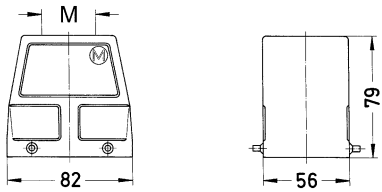

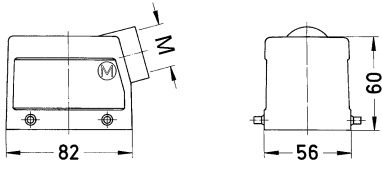
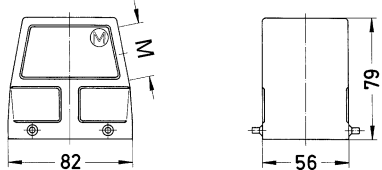

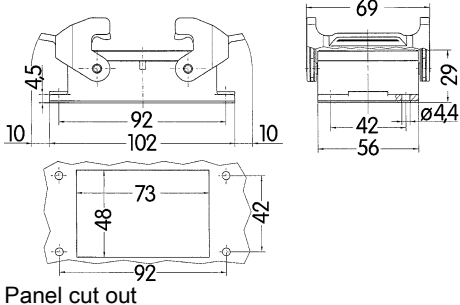

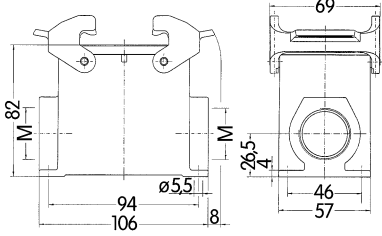


Standard hoods and housings for industrial applications
Double locking lever

Identification	Cable entry	Part number		Drawing (dimensions in mm)	
		Low construction	High construction		
Han A®, Hoods, Top entry 	1x M25 1x M32		19 20 032 0426 19 20 032 0427		
Han A®, Hoods, Side entry 	1x M25 1x M32	19 20 032 1521	19 20 032 0527	 	
Han A®, Bulkhead mounted housings, Han-Easy Lock® 		09 20 032 0301		 <p>Panel cut out</p>	
Han A®, Surface mounted housing, Side entry, Han-Easy Lock® 	1x M25 1x M32 2x M32		19 20 032 0231 19 20 032 0232 19 20 032 0272		

Housings