

Quick Details

Model Number: PBS-24-202S

Protection Level: IP40

Max. Current: 2A

Max. Voltage: 250VAC

Type: guitar effects foot switch

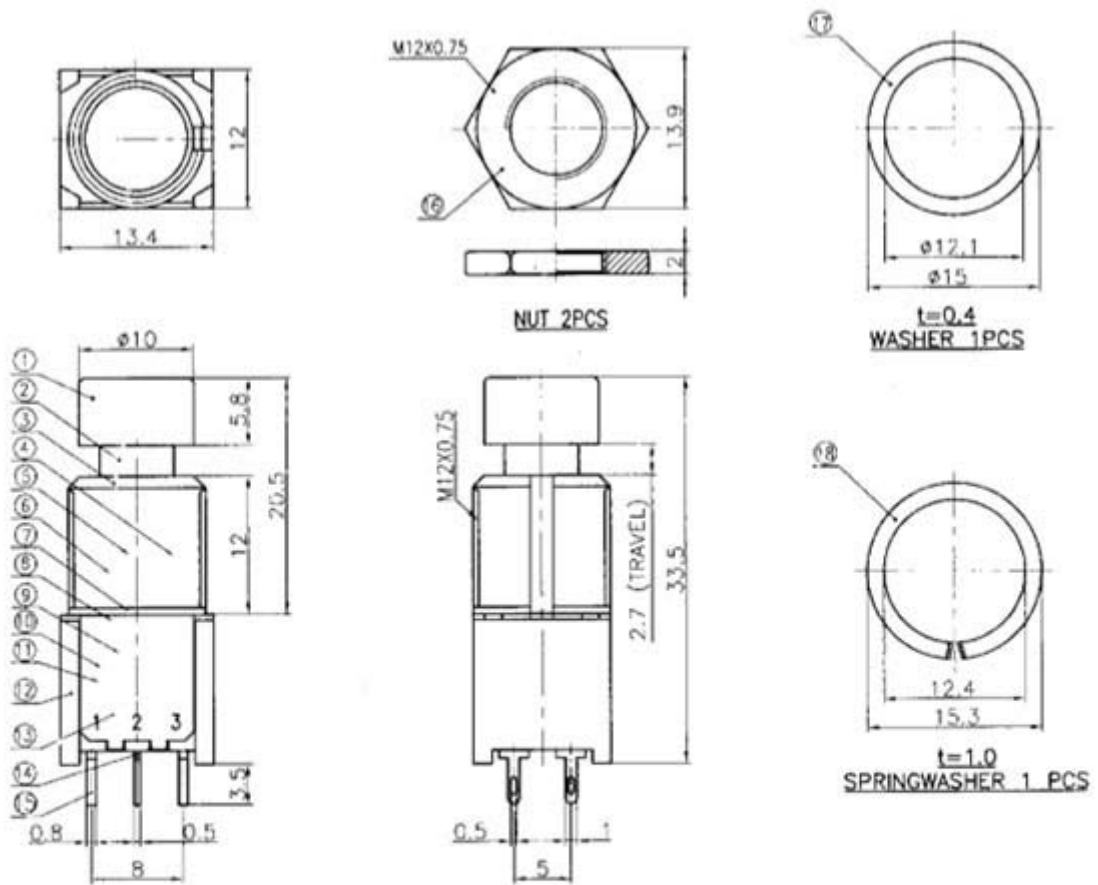
Material: bakelite/Brass Ni plated

Function: ON-ON/ON-(ON)

Panel size: 12mm

Terminal: Solder 6pins

Color: Black



STATUS	FREE	PULL
ON	2-3	2-1
OFF	2-1	2-3

