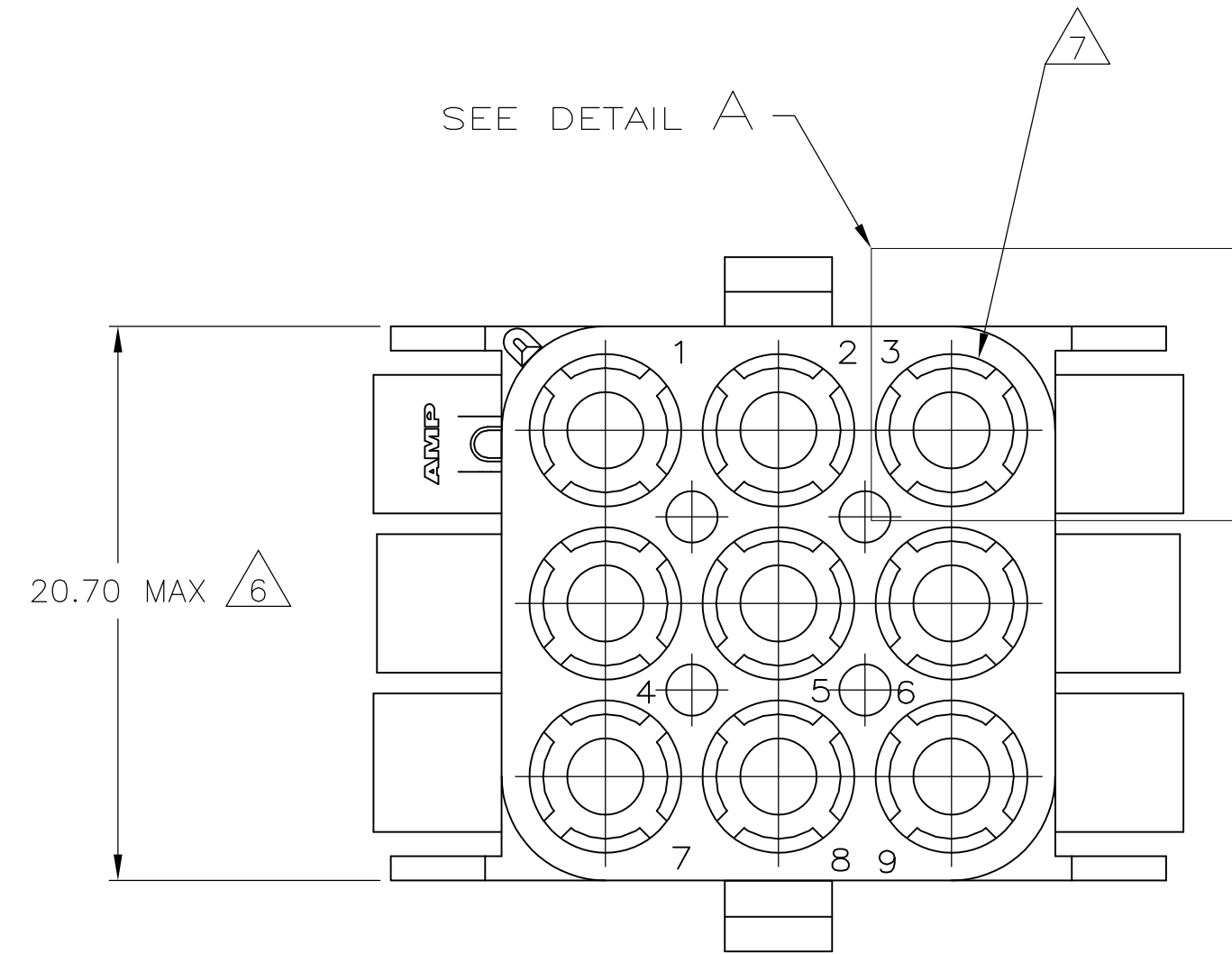
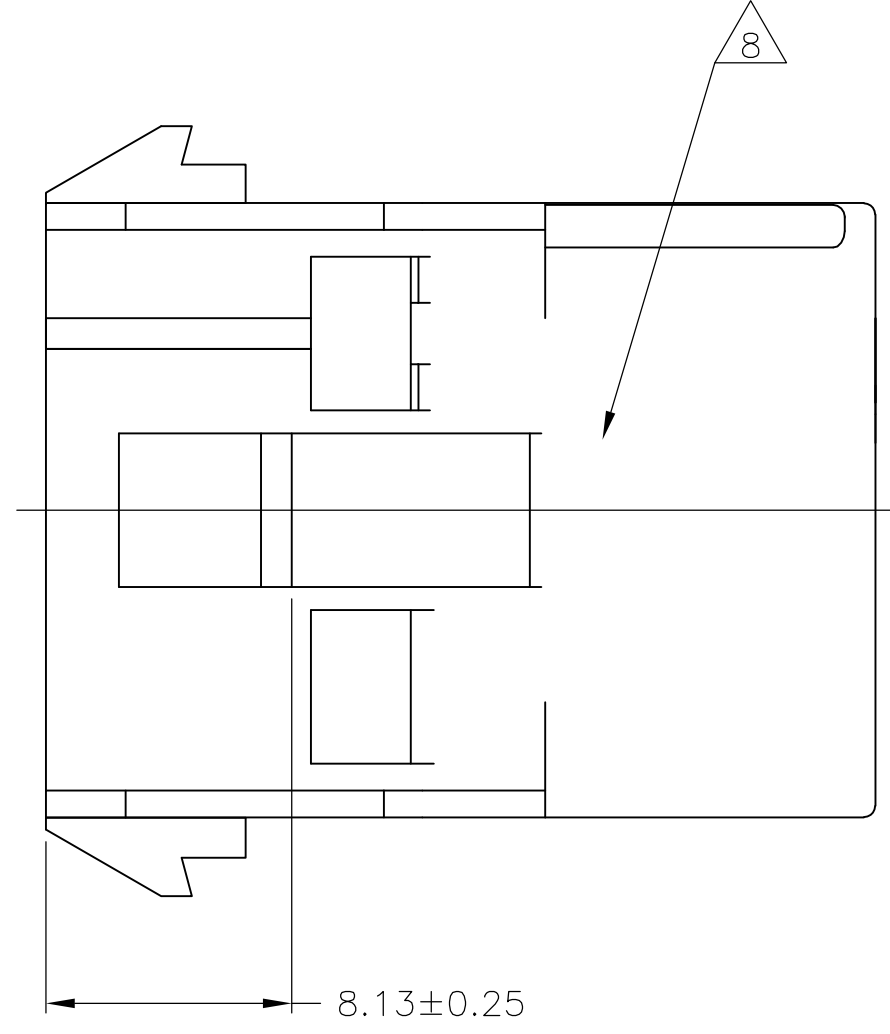
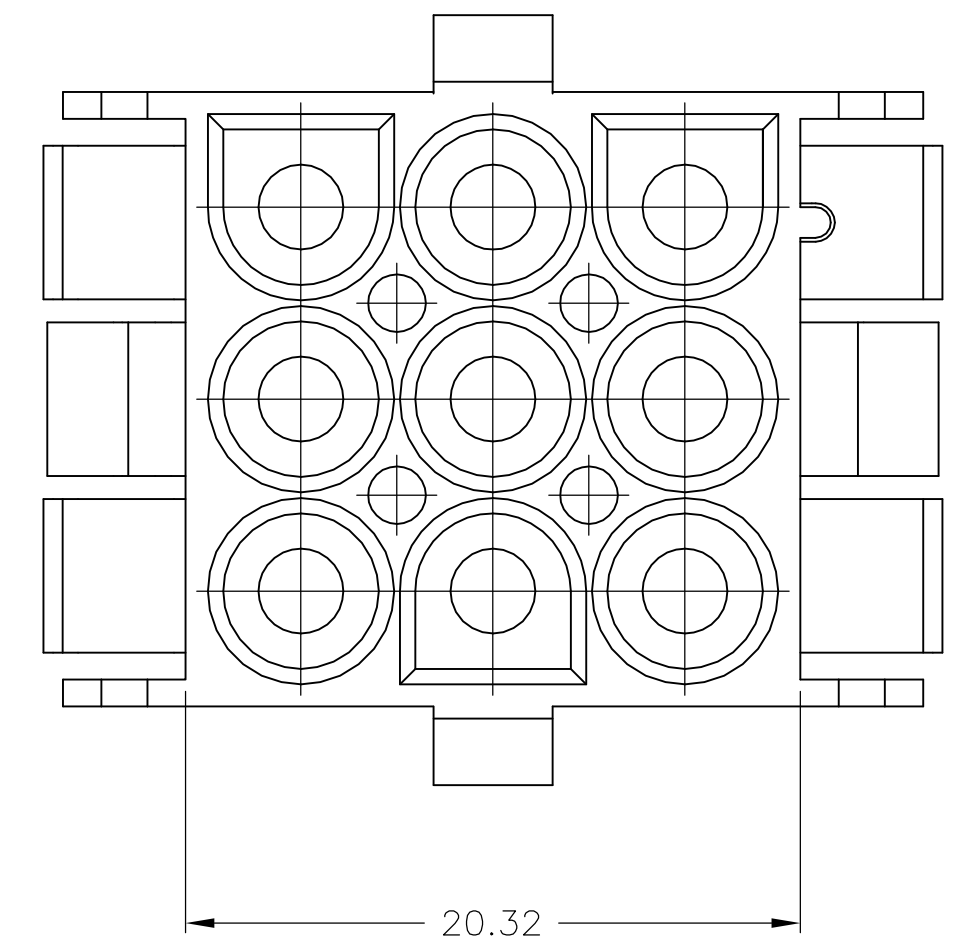
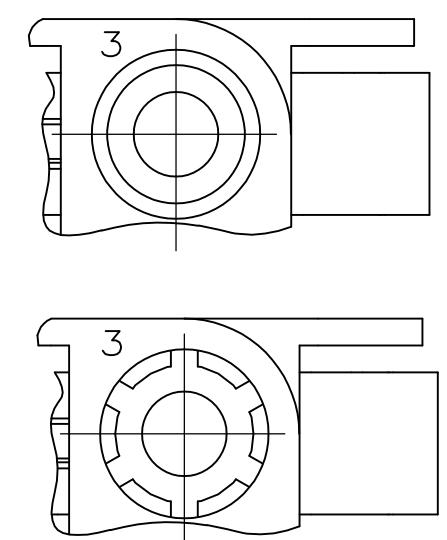


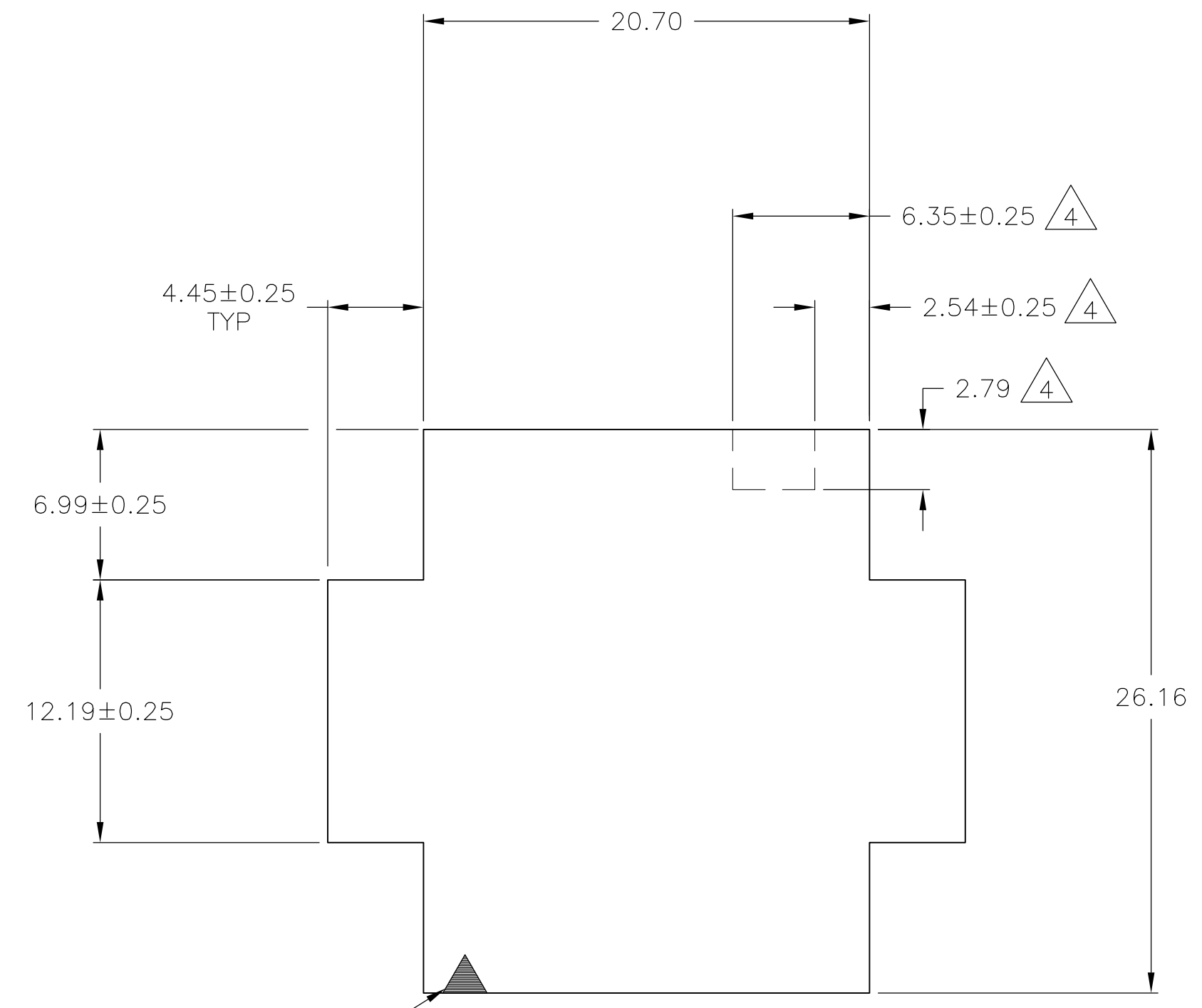
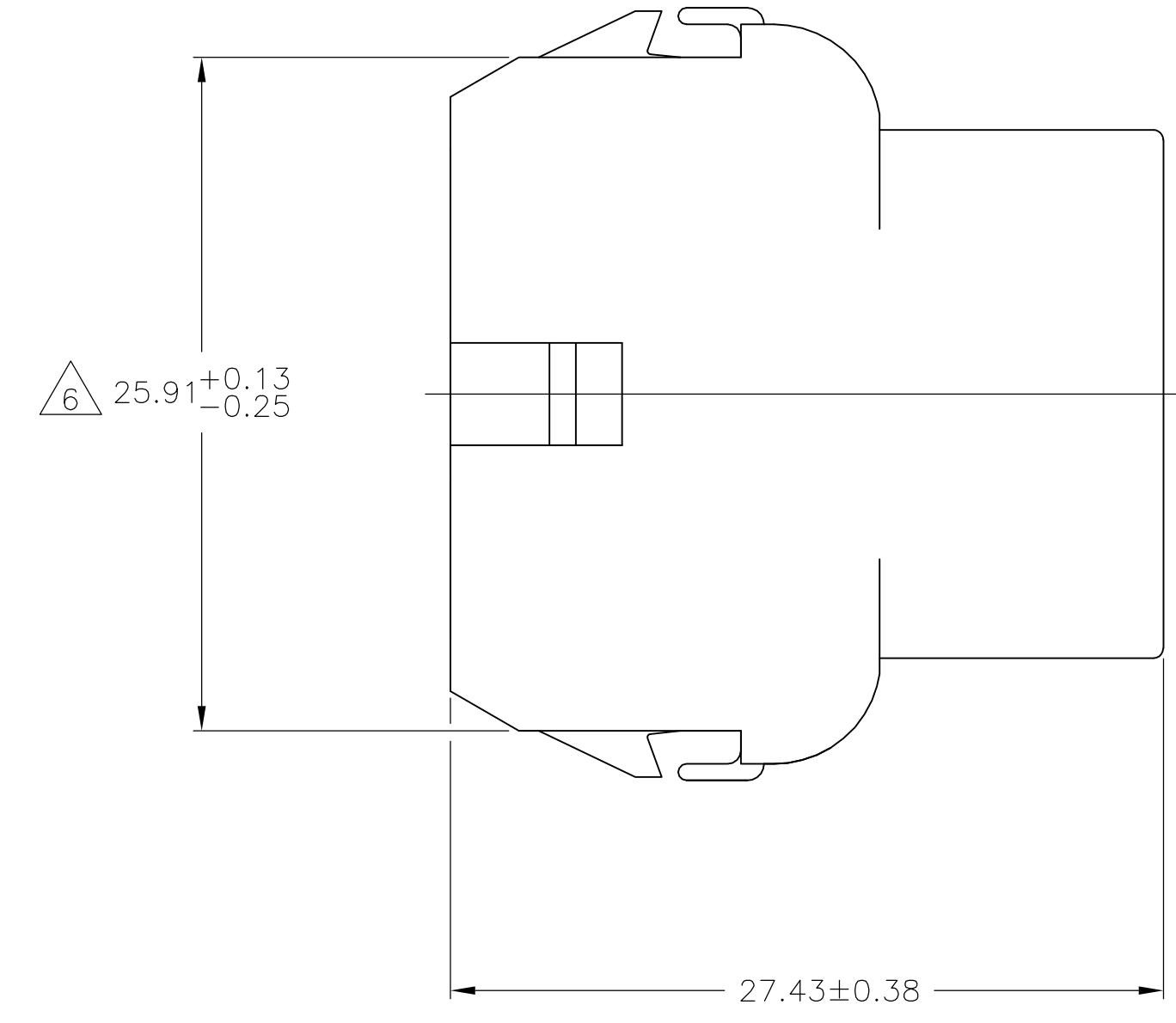
LOC		DIST		REVISIONS			
P	LTR	DESCRIPTION	DATE	DN	APVD		
V3		REVISED PER ECO-11-004820	11MAR11	RK	HMR		



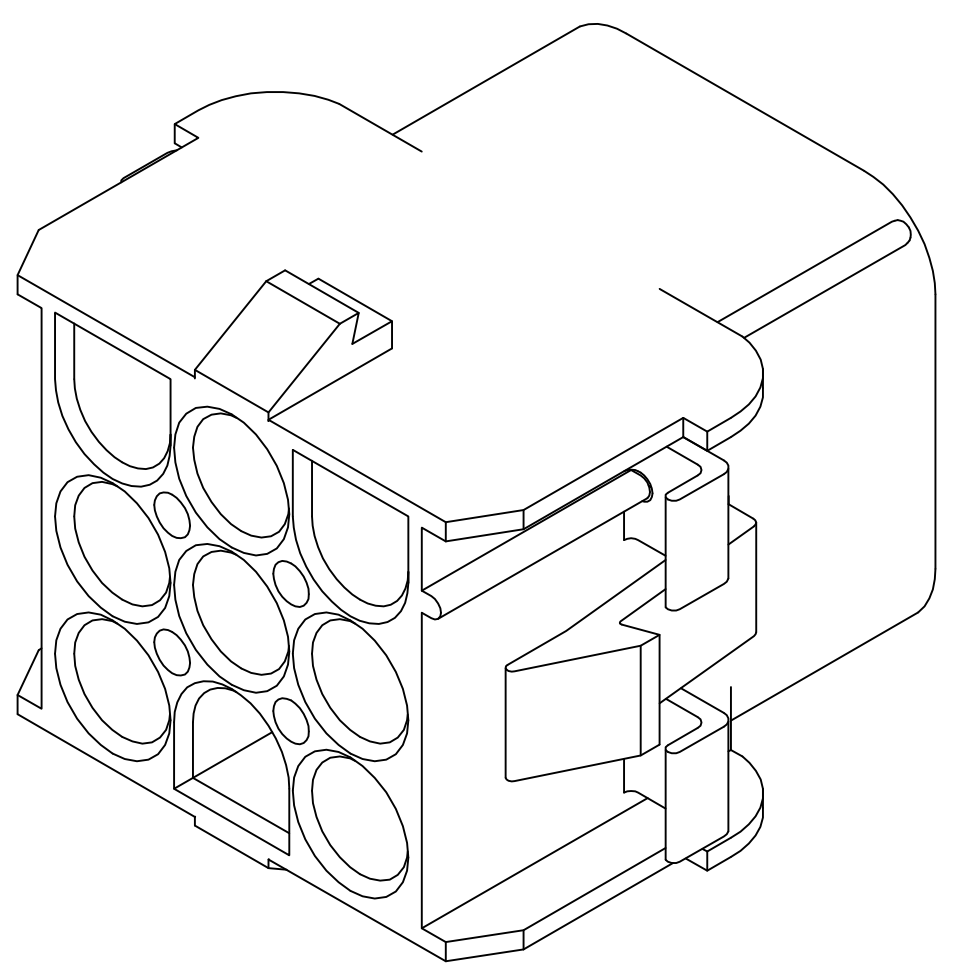
- MATES WITH APPROPRIATE UNIVERSAL MATE-N-LOK™ PLUG.
  - RECOMMENDED PANEL THICKNESS 0.76 - 2.29.
  - PANEL MUST BE PUNCHED SO THAT THE HOUSING ENTERS THE PANEL IN THE SAME DIRECTION AS THE PUNCH.
- △4 OPTIONAL FOR KEYING HOUSING IN PANEL.  
 △5 CIRCUIT NUMBER 1 LOCATION.  
 △6 DIMENSION REPRESENTS POTENTIAL MAXIMUM GROWTH DUE TO MOISTURE ABSORPTION.  
 △7 FOUR RIBS EQUALLY SPACED, NO SPECIFIC ORIENTATION. NO RIBS OR SIX RIBS EQUALLY SPACED, NO SPECIFIC ORIENTATION, OPTIONAL.  
 △8 UNDERWRITERS RECOGNIZED COMPONENT LOGO AND CSA CERTIFICATION LOGO TO BE LOCATED ONCE EACH ON SIDE OF HOUSING.



DETAIL A  
OPTIONAL CONSTRUCTIONS



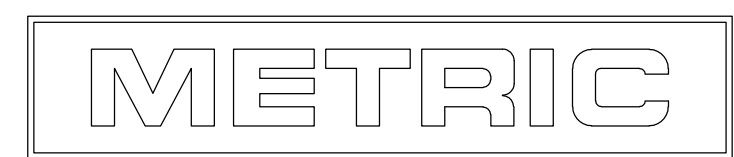
RECOMMENDED PANEL CUT OUT



3-DIMENSIONAL MODEL  
NTS

6.35	.250	-	-
4.45	.175	27.43	1.080
2.79	.110	26.16	1.030
2.54	.100	25.91	1.020
2.29	.090	20.70	.815
0.76	.030	20.32	.800
0.38	.015	12.19	.480
0.25	.010	8.13	.320
0.13	.005	6.99	.275
MM	IN	MM	IN

CONVERSION TABLE



BLACK	1-350782-9
GRAY	1-350782-8
BLUE	1-350782-6
GREEN	1-350782-5
YELLOW	1-350782-4
ORANGE	1-350782-3
RED	1-350782-2
BROWN	1-350782-1
NATURAL	350782-1
COLOR	PART NO.

THIS DRAWING IS A CONTROLLED DOCUMENT.

DIMENSIONS:	TOLERANCES UNLESS OTHERWISE SPECIFIED:	DIN K. WHITAKER 17JUN92	CHK R. SWING 17JUN92	APVD D. SELF 17JUN92	NAME
mm	0. PLC ± - 1. PLC ± - 2. PLC ± - 3. PLC ± 0.38 4. PLC ± - ANGLES ± 1°				CAP,9 CIRCUIT, UNIVERSAL MATE-N-LOK(TM)
MATERIAL NYLON,UL 94V-0	FINISH -	SIZE A1	CAGE CODE 00779	DRAWING NO. C=350782	RESTRICTED TO
CUSTOMER DRAWING				SCALE 4:1	SHEET 1 OF 1

STE TE Connectivity