

Preparation of compressed air → Maintenance units and components

3/2-shut-off valve, mechanically operated, Series AS2-BAV

► G 1/4 - G 3/8 ► ATEX certified



00119374

ATEX
Version

Actuating element
Sealing principle
Working pressure min./max.
Ambient temperature min./max.
Medium temperature min./max.
Medium

Materials:
Housing
Seals
Actuating element
Front cover
Threaded bushing

II 2G2D T4 X
Poppet valve, Can be assembled into blocks with padlock
lockable
rotary switch
soft sealing
0 bar / 16 bar
-10°C / +50°C
-10°C / +50°C
Compressed air

Polyamide
Acrylonitrile Butadiene Rubber
Polyoxymethylene
Acrylonitrile butadiene styrene
Die cast zinc

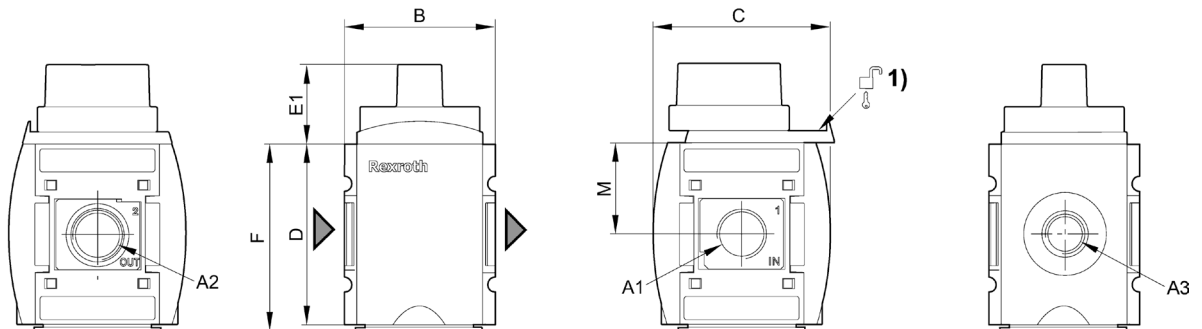
Technical Remarks

- The pressure dew point must be at least 15 °C under ambient and medium temperature and may not exceed 3 °C.
- A short silencer is required for wall mounting (see accessories e.g. R412004817).

	Port	Exhaust	Qn		Note	Weight	Part No.
			1►2	2►3			
			[l/min]			[kg]	
	G 1/4	G 1/4	2000	380	1)	0.206	R412006260
	G 3/8				1)		R412006261
	G 1/4				2)		R412006256
	G 3/8				2)		R412006257

1) Locking base: Polyoxymethylene
2) Locking base: Steel
Nominal flow Qn at 6 bar and Δp = 1 bar

Dimensions



00121343

A3 = ventilation port
A1 = input
A2 = output
1) Mounting option for padlocks; max. shackle Ø 8

Preparation of compressed air → Maintenance units and components**3/2-shut-off valve, mechanically operated, Series AS2-BAV**

▶ G 1/4 - G 3/8 ▶ ATEX certified

A1	A2	A3	B	C	D	E1	F	M					
G 1/4	G 1/4	G 1/4	52	59	65	20.5	67	34					
G 3/8	G 3/8	G 1/4	52	59	65	20.5	67	34					