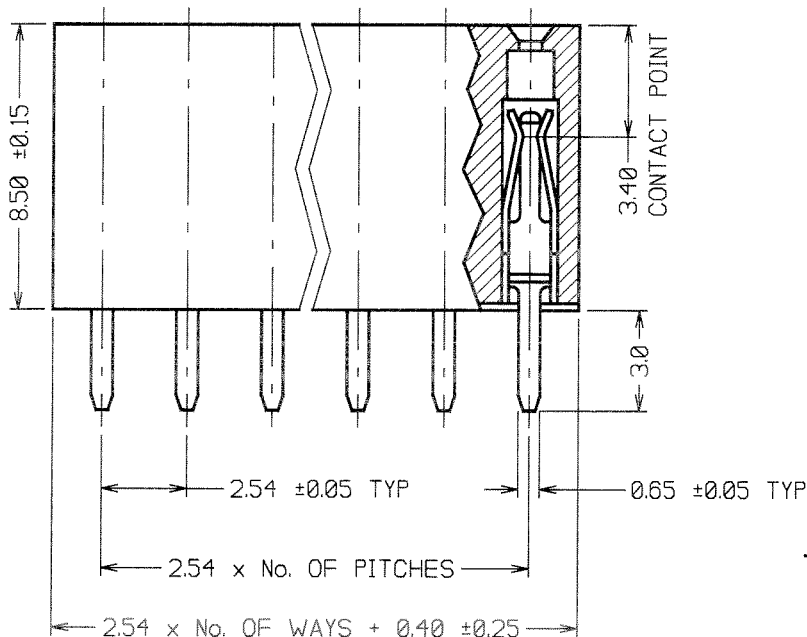
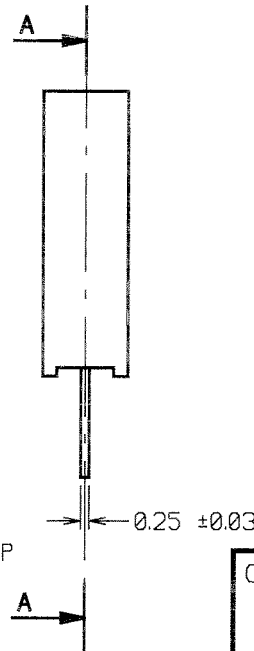




2.50 ± 0.15

PART  
SECTION A-A

## NOTES:

1. RECOMMENDED PCB HOLE SIZE =  $\varnothing 1.00$ mm.

## SPECIFICATION:

## MATERIAL:

MOULDING FOR 42 & 46 - NYLON 6T UL94V-0, BLACK  
 MOULDING FOR 22 & 06 - POLYESTER UL94V-0, BLACK  
 CONTACTS = PHOSPHOR BRONZE

## FINISH:

42 - GOLD ON CONTACT AREA, 100% TIN  
ON TAILS

46 - 100% TIN

22 - GOLD ON CONTACT AREA, TIN/LEAD ON TAILS

06 - TIN/LEAD

## ELECTRICAL:

CURRENT RATING = 3A

VOLTAGE PROOF = 500V AC/DC

CONTACT RESISTANCE = 20 MILLIOHMS MAX

INSULATION RESISTANCE = 5,000 MEGOHMS MIN

## ENVIRONMENTAL:

TEMPERATURE RANGE = -40° TO +105°

## MECHANICAL:

INSERTION FORCE = 5N MAX

WITHDRAWAL FORCE = 0.5N MIN

DURABILITY = 50 OPERATIONS

## PACKING:

TUBE

FOR COMPLETE SPECIFICATION SEE COMPONENT  
SPECIFICATION C001XX (LATEST ISSUE)

ORDER CODE:

M20-782XXXX

No. OF WAYS \_\_\_\_\_  
02 TO 40

FINISH: \_\_\_\_\_

42 - SELECTIVE GOLD + TIN

46 - TIN

22 - SELECTIVE GOLD + TIN/LEAD

06 - TIN/LEAD

JAE 6 23.07.04 8091

NAME ISS. DATE C/NOTE

APPROVED: *[Signature]*CHECKED: *[Signature]*

DRAWN: J. EVANS

CUSTOMER REF.:

ASSEMBLY DRG:

THIS DRAWING AND ANY  
 INFORMATION OR DESCRIPTIVE  
 MATTER SET OUT HEREON ARE  
 CONFIDENTIAL AND COPYRIGHT  
 PROPERTY OF THE HARWIN  
 GROUP AND MUST NOT BE  
 DISCLOSED, LOANED, COPIED  
 OR USED FOR MANUFACTURING,  
 TENDERING OR FOR ANY  
 OTHER PURPOSE WITHOUT  
 THEIR WRITTEN PERMISSION.

## TOLERANCES

X. = ±1mm

X.X = ±0.25mm

X.XX = ±0.10mm

X.XXX = ±0.01mm

ANGLES = ±5°

UNLESS STATED

## MATERIAL:

SEE ABOVE

FINISH: SEE ABOVE

S/AREA: mm<sup>2</sup>

## TITLE:

2.54mm PITCH SIL VERTICAL  
PC TAIL SOCKET ASSEMBLY

## DRAWING NUMBER:

M20-782XXXX

HARWIN INC  
 U.S.A.  
 TEL: (812) 542 2540  
 FAX: (812) 542 2541

HARWIN PLC  
 U.K.  
 TEL: 023 9231 4545  
 FAX: 023 9231 4590

HARWIN PTE  
 SINGAPORE  
 TEL: 65 6779 4909  
 FAX: 65 6779 3868

SHT  
3  
OF  
3