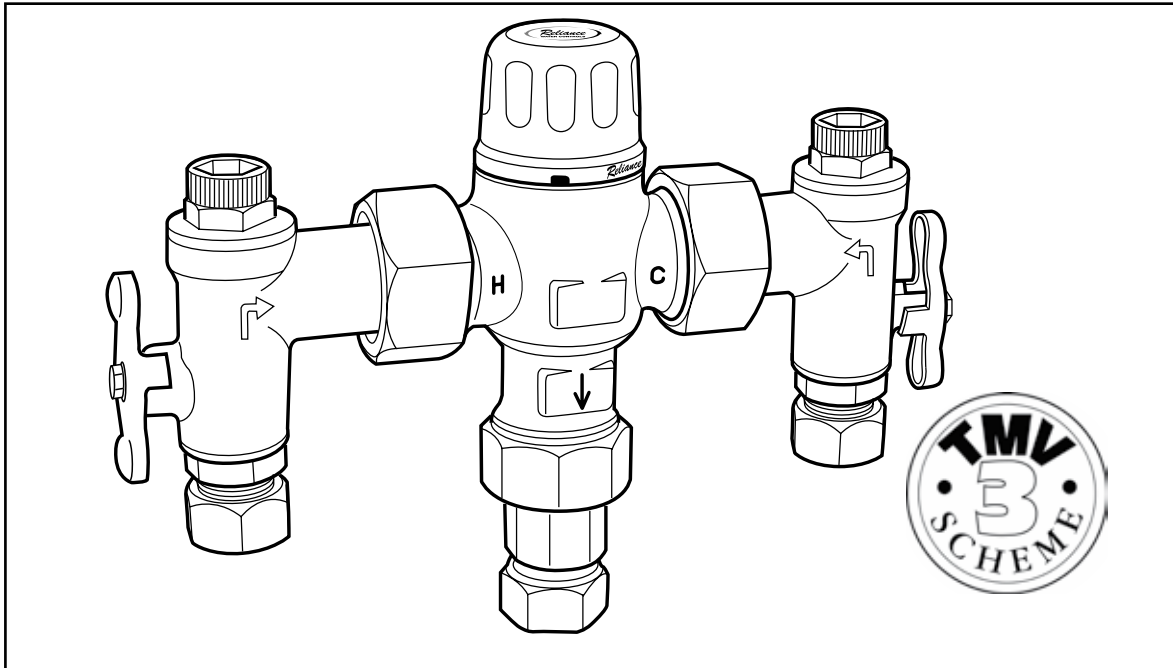




# Product Specification Sheet

## Heatguard® TMV3-8 4in1



Highly advanced TMV3 approved thermostatic mixing valve for use in basin, shower, bidet and bathfill applications.

### Product Features and Benefits

- Fully approved by the WRAS under the **TMV3 scheme** to the **DO8 specification** for basin, shower, bidet, and high pressure bathfill applications.
- **Rapid thermostatic failsafe** on either cold or hot supply failure **protects** the user from **extreme temperature dangers**.
- **Unique**, purpose-built temperature adjuster tool **prevents unauthorised tampering**.
- Provides **extreme mixed water temperature stability** under changing supply conditions.
- Available in a **selection of connection formats**, including standard 15 and 22mm compression, and 15/22mm universal compression fittings, **for installation flexibility**.
- 4in1 service fittings provide **isolation, filtration, crossflow prevention, and a gauge port for testing system conditions**, making **installation and maintenance quick and easy**.

- ✓ WRAS Approved.
- ✓ TMV3 Approved.

# Heatguard® TMV3-8 4in1

## Description

A highly advanced TMV3 approved thermostatic mixing valve for use in basin, shower, bidet and high pressure bathfill applications (above 1 bar). The valve is designed to control the mixed water outlet temperature to within +/- 2°C regardless of fluctuations in the temperature and pressure of the hot and cold water supplies, and to shut the mixed water outlet instantly in case of hot or cold water failure\*. It incorporates a unique purpose-built adjuster key so that standard tools cannot be used by unauthorised persons to change the set outlet temperature. Supplied with 4in1 service fittings featuring an isolating ball valve, large surface area strainer, single check valve for crossflow protection, and a gauge/flushing port for checking system conditions or for connection of a flushing hose (Reliance® part no. FLSE 100 001) to remove system debris prior to commissioning the mixing valve.

\*Supply conditions must remain within limits stated.

## Product Range

HEAT 160 030: 15mm comp. Heatguard® TMV3-8 4in1  
 HEAT 160 035: 22mm comp. Heatguard® TMV3-8 4in1  
 HEAT 160 025: 15/22mm universal compression Heatguard® TMV3-8 4in1

## Materials

Body: Cast Gunmetal  
 Seals: Nitrile  
 Spring: Stainless steel  
 Piston: Polysulphone  
 Fittings: DZR brass  
 Strainers: Stainless steel

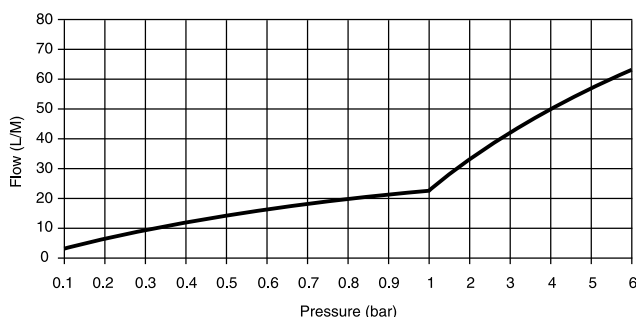
## Standards

Complies with BS7942

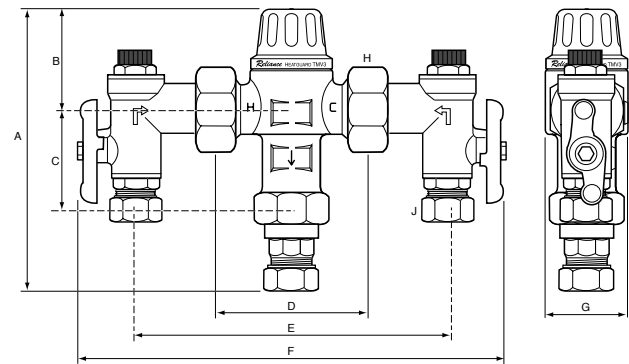
## Approvals

WRAS certificate no. 0002052  
 NHS D08 TMV3 Certificate No. ETC/173/0202

## Flowrate Graph



## Dimensions



	A	B	C	D	E	F	G	H	J
HEAT 160 030	145	50	50	78	157	220	40	1" BSP	15mm
HEAT 160 035	145	50	50	78	157	220	40	1" BSP	22mm

All dimensions in mm unless stated

For dimensions of other valves in the Heatguard® TMV3-8 range, contact Reliance®.

## Specifications

Factory temperature setting: 38°C  
 Temperature setting range: 38-46°C  
 Temperature, hot supply: 52-65°C  
 Temperature, cold supply: 5-20°C  
 Minimum hot to mix differential temperature: 10°C  
 Temperature stability: ± 2°C  
 Working pressure, static: 16 bar max.  
 Working pressure, dynamic: 0.2 - 5.0 bar  
 Maximum pressure loss ratio: 10:1  
 Flow rate, minimum: 4 lpm  
 Flow rate @ 1bar pressure loss: 21 lpm

## How to Specify

15mm or 22mm TMV3 approved thermostatic mixing valve, complete with integral isolating ball valves, strainers, check valves and gauge/flushing point. Must incorporate a temperature adjustment mechanism using a non-standard tool to alter the mixed water temperature. (Include correct product range code).

## Guarantee

All Reliance® products undergo strict performance tests prior to despatch, and are guaranteed against faulty materials and workmanship for one year from date of purchase. This is in addition to any statutory rights.

Contacts:	Sales Enquiries	Technical Support
Telephone:	+44 (0)1386 712400	+44 (0)1386 47148
Fax:	+44 (0)1386 47028	+44 (0)1386 422217
E-Mail:	sales@rwc.co.uk	technical@rwc.co.uk



**Reliance Water Controls®**  
 Worcester Road, Evesham, Worcestershire, WR11 4RA, UK  
 Tel: +44 (0)1386 47148 Fax: +44 (0)1386 47028 www.rwc.co.uk

