

Rod ends with female thread: KBRM and KBLM



Standard design

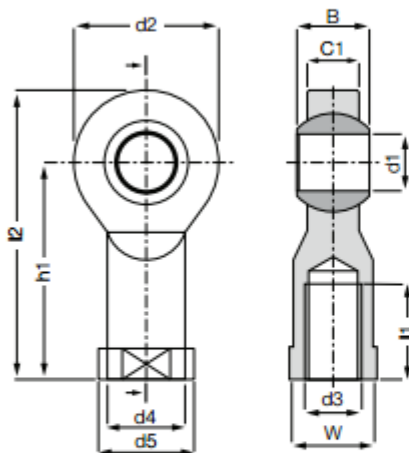
Design with
metal sleeve (MH)

- Maintenance-free, self-lubricating
- High strength under impact loads
- Very high tensile strength for varying loads
- Compensation of misalignment
- Compensation of edge loads
- Insensitive to dirt, dust and lint
- Corrosion- and chemical-resistant
- High vibration-dampening
- Suitable for rotating, oscillating and linear movements
- Very low weight
- Dimensional series K according to standard DIN ISO 12240
- Available with a metal sleeve for a higher torque

Technical Data

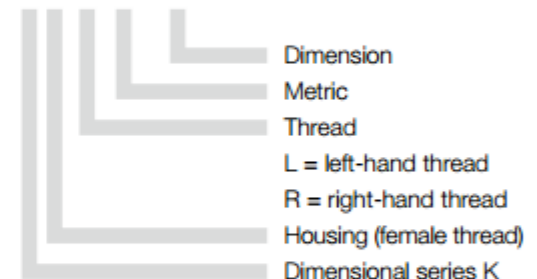
Part number		Max. static tensile strength		Max. static radial load		Min. thread depth		Max. torque strength		Max. torque through ball		Weight
Right-hand thread	Left-hand thread	Short term [N]	Long term [N]	Short term [N]	Long term [N]	Thread [mm]	Inner threading [Nm]	Standard without MH [Nm]	Standard with MH [Nm]			[g]
KBRM-02	KBLM-02	200	100	50	25	4	0.30	1	–			0.4
KBRM-03	KBLM-03	800	400	100	50	5	0.50	2	4			2.7
KBRM-05 M4	KBLM-05 M4	1,000	500	250	125	7	0.75	5	12			3.5
KBRM-05	KBLM-05	1,000	500	250	125	7	1.00	5	12			3.4
KBRM-06	KBLM-06	1,400	700	400	200	8	1.50	10	15			4.7
KBRM-08	KBLM-08	2,100	1,050	700	350	11	5.00	12	40			8.6
KBRM-10	KBLM-10	3,100	1,550	800	400	13	15.00	20	50			14.6
KBRM-10 F	KBLM-10 F	3,100	1,550	800	400	13	6.00	20	50			14.6
KBRM-12	KBLM-12	3,600	1,800	900	450	15	20.00	30	70			22.0
KBRM-12 F	KBLM-12 F	3,600	1,800	900	450	15	15.00	30	70			22.0
KBRM-14	KBLM-14	4,000	2,000	1,000	500	17	25.00	35	75			30.9
KBRM-16	KBLM-16	4,200	2,100	1,300	650	19	30.00	40	110			39.6
KBRM-16 F	KBLM-16 F	4,200	2,100	1,300	650	19	27.50	40	110			39.6
KBRM-18	KBLM-18	4,600	2,300	1,600	800	21	45.00	45	150			55.0
KBRM-20	KBLM-20	5,400	2,700	2,100	1,050	22	60.00	55	200			73.5
KBRM-20 M20	KBLM-20 M20	5,400	2,700	2,100	1,050	22	60.00	55	200			73.5
KBRM-22	KBLM-22	7,000	3,500	2,200	1,100	25	75.00	60	–			94.8
KBRM-25	KBLM-25	8,500	4,250	2,300	1,150	28	120.00	60	–			119.8
KBRM-30	KBLM-30	10,500	5,250	2,500	1,250	34	135.00	60	–			177.0
KBRM-30 M27x2	KBLM-30 M27x2	10,500	5,250	2,500	1,250	34	135.00	60	–			189.6

Rod ends with female thread: KBRM and KBLM



Order key

KB...M-02



Material:

Housing: igumid G ► page 1267

Spherical ball: iglidur® W300 ► page 819

Dimensions [mm]

Part number		d1	d2	d3	d4	d5	C1	B		h1	l1	l2	W	Max. pivot angle
		E10						without MH	with MH ±0.2					
Right-hand thread	Left-hand thread													
KBRM-02	KBLM-02	02	9	M02	4.0	4.6	3.0	4	4.1	12.5	6	17	SW04	30°
KBRM-03	KBLM-03	03	13	M03	6.5	8.0	4.5	6	6.1	18.5	8	25	SW06	30°
KBRM-05 M4	KBLM-05 M4	05	18	M04	9.0	12.0	6.0	8	8.1	27	10	36	SW09	30°
KBRM-05	KBLM-05	05	18	M05	9.0	12.0	6.0	8	8.1	27	10	36	SW09	30°
KBRM-06	KBLM-06	06	20	M06	10.0	13.0	7.0	9	9.2	30	12	40	SW11	29°
KBRM-08	KBLM-08	08	24	M08	13.0	16.0	9.0	12	12.2	36	16	48	SW14	25°
KBRM-10	KBLM-10	10	30	M10	15.0	19.0	10.5	14	14.2	43	20	58	SW17	25°
KBRM-10 F	KBLM-10 F	10	30	M10 x 1.25	15.0	19.0	10.5	14	14.2	43	20	58	SW17	25°
KBRM-12	KBLM-12	12	34	M12	18.0	22.0	12.0	16	16.2	50	22	67	SW19	25°
KBRM-12 F	KBLM-12 F	12	34	M12 x 1.25	18.0	22.0	12.0	16	16.2	50	22	67	SW19	25°
KBRM-14	KBLM-14	14	38	M14	20.0	25.0	13.5	19	19.2	57	25	76	SW22	25°
KBRM-16	KBLM-16	16	42	M16	22.0	27.0	15.0	21	21.2	64	28	85	SW22	23°
KBRM-16 F	KBLM-16 F	16	42	M16 x 1.5	22.0	27.0	15.0	21	21.2	64	28	85	SW22	23°
KBRM-18	KBLM-18	18	46	M18 x 1.5	25.0	31.0	16.5	23	23.2	71	32	94	SW27	23°
KBRM-20	KBLM-20	20	50	M20 x 1.5	28.0	34.0	18.0	25	25.3	77	33	102	SW30	23°
KBRM-20 M20	KBLM-20 M20	20	50	M20 x 2.5	28.0	34.0	18.0	25	25.3	77	33	102	SW30	23°
KBRM-22	KBLM-22	22	56	M22 x 1.5	30.0	37.0	20.0	28	-	84	37	112	SW32	22°
KBRM-25	KBLM-25	25	60	M24 x 2.0	32.0	41.0	22.0	31	-	94	42	124	SW36	22°
KBRM-30	KBLM-30	30	70	M30 x 2.0	37.0	50.0	25.0	37	-	110	50	145	SW41	22°
KBRM-30 M27x2	KBLM-30 M27x2	30	70	M27 x 2.0	37.0	50.0	25.0	37	-	110	50	145	SW41	22°

For rod ends with metal insert please add MH to the part number. Example: KBRM-10 MH (Inner-Ø: 10 mm).