

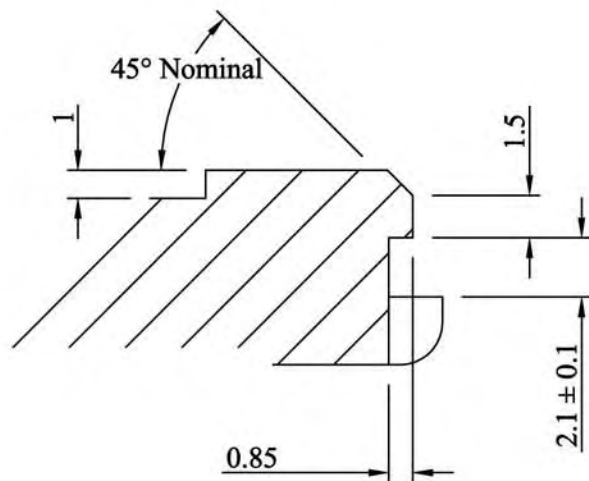
Third Angle Projection

Part No. 01BBN11

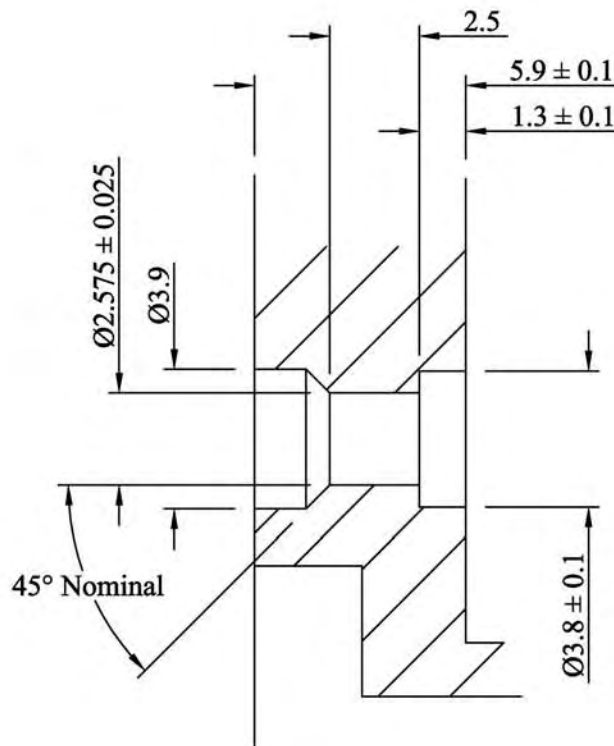
Issue	A	Date	10/05/2002
Drawn		Date	10/05/2002
Approved	P.J.H	Date	10/05/2002

Unless otherwise stated All Dimensions are in mm

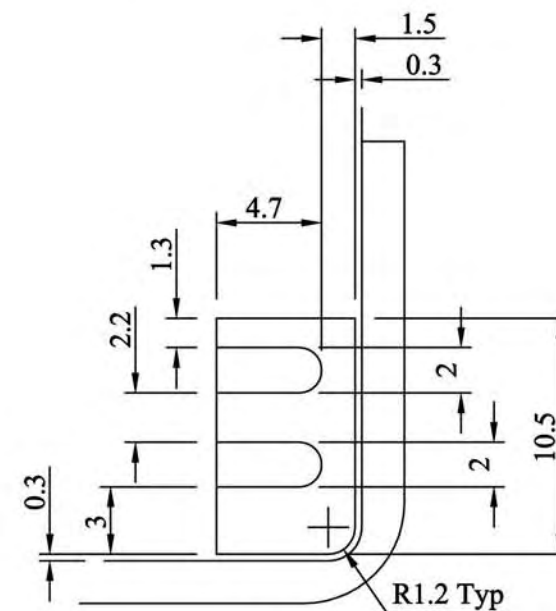
General tolerance +/- 0.2mm



Detail A
Section on
Centre Line



Detail B



Detail C

Sheet 2 of 2

Issue History

Issue A	First Drawn	10/05/02
---------	-------------	----------

Material :- Black Glass Filled Nylon Beetle 66GF6
Or Approved Equivalent

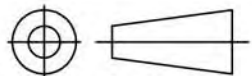
Finish :- External surfaces textured except central
area around pins & numbering

THIS DRAWING IS THE PROPERTY OF PERANCEA LTD AND MAY NOT BE COPIED OR REPRODUCED WITHOUT OUR WRITTEN CONSENT

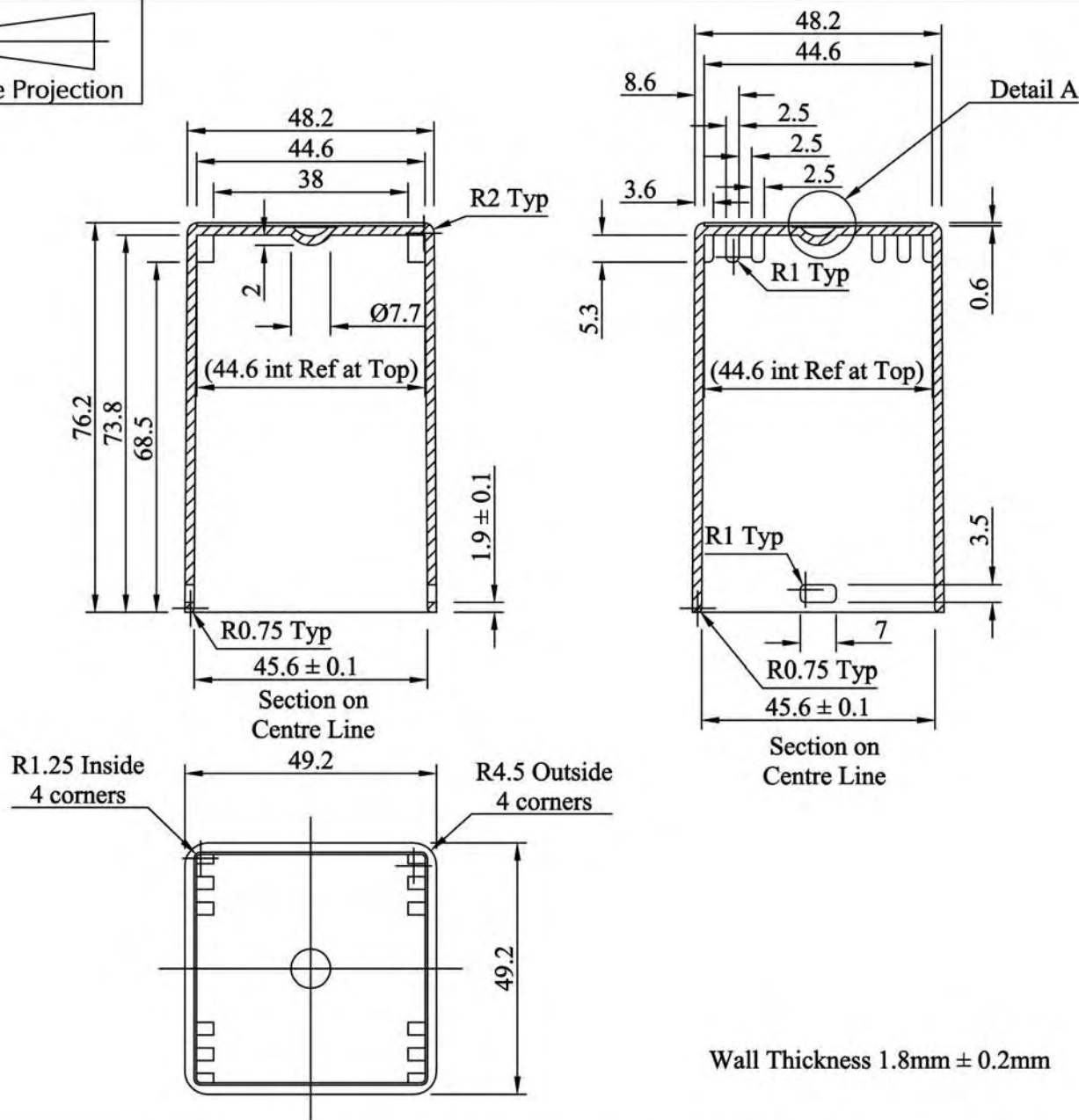
PERANCEA LTD
ENCLOSURE AND INSTRUMENT CASE
DESIGNERS AND MANUFACTURERS

Title Plug in case 11 pin base

Unit 36, Silicon Business Centre, Greenford, UB6 7JZ
Telephone: 020 8365 2520 Fax: 020 8566 7217
Email: sales@perancea.com Web: www.perancea.com



Third Angle Projection



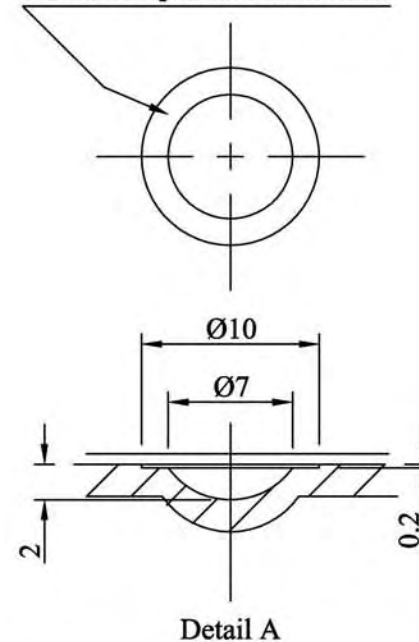
Part No. 01CBP76

Issue	A	Date	10/05/2002
Drawn		Date	10/05/2002
Approved	P.J.H	Date	10/05/2002

Unless otherwise stated All Dimensions are in mm

General tolerance $\pm 0.2\text{mm}$

Fine Dimples on this Surface



Material :- Black Polycarbonate Mitsubishi IUPILON S 2000UR Or Approved Equivalent

Finish :- High Gloss

Issue History

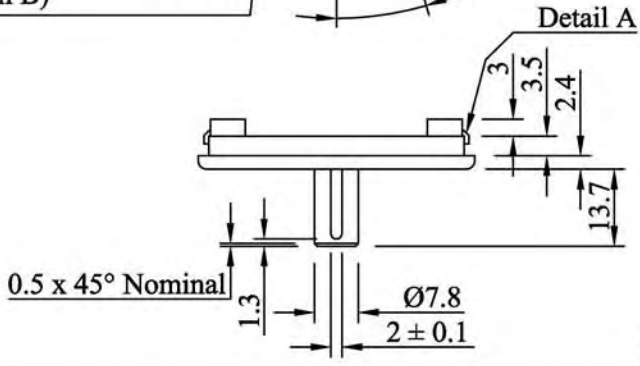
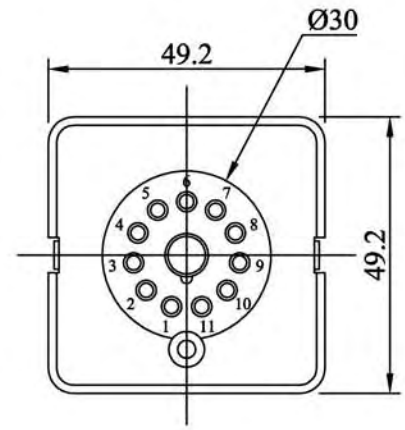
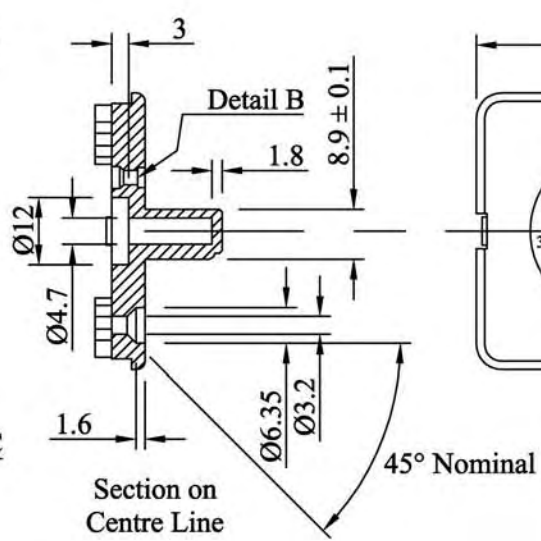
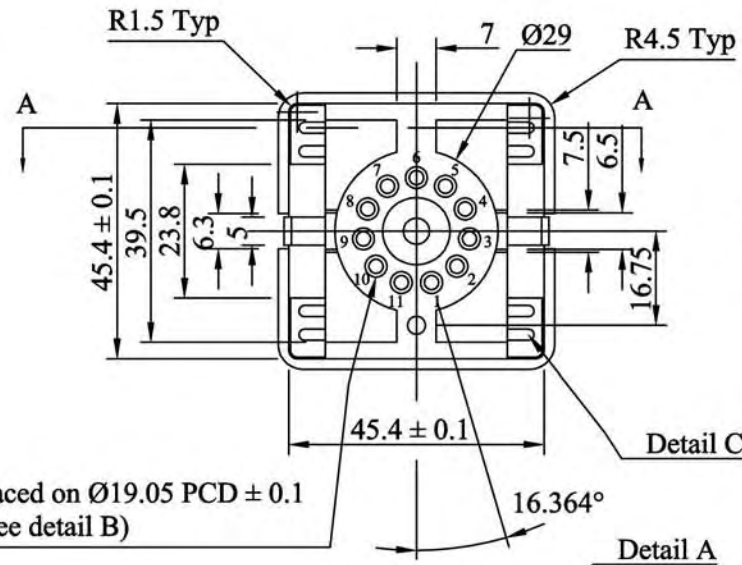
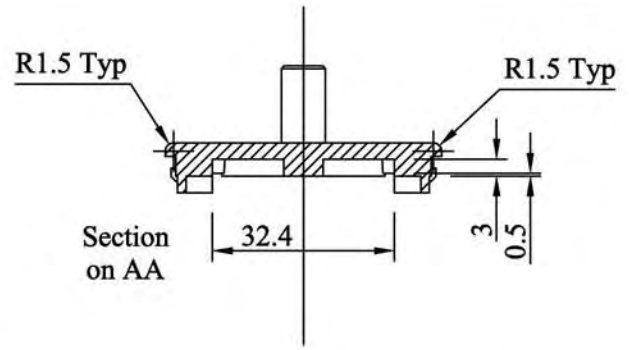
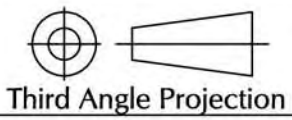
Issue A	First Drawn	10/05/02
---------	-------------	----------

THIS DRAWING IS THE PROPERTY OF PERANCEA LTD AND MAY NOT BE COPIED OR REPRODUCED WITHOUT OUR WRITTEN CONSENT

PERANCEA LTD
ENCLOSURE AND INSTRUMENT CASE
DESIGNERS AND MANUFACTURERS

Title Plug in case 76mm cover

Unit 36, Silicon Business Centre, Greenford, UB6 7JZ
Telephone: 020 8365 2520 Fax: 020 8566 7217
Email: sales@perancea.com Web: www.perancea.com



Part No. 01BBN11

Issue	A	Date	10/05/2002
Drawn		Date	10/05/2002
Approved	P.J.H	Date	10/05/2002

Unless otherwise stated All Dimensions are in mm
General tolerance +/- 0.2mm

Sheet 1 of 2

Material :- Black Glass Filled Nylon Beetle 66GF6
Or Approved Equivalent

Finish :- External surfaces textured except central area around pins & numbering

Issue History

Issue A	First Drawn	10/05/02
---------	-------------	----------

For Details A,B & C SEE SHEET 2

THIS DRAWING IS THE PROPERTY OF PERANCEA LTD AND MAY NOT BE COPIED OR REPRODUCED WITHOUT OUR WRITTEN CONSENT



Title Plug in case 11 pin base

Unit 36, Silicon Business Centre, Greenford, UB6 7JZ
Telephone: 020 8365 2520 Fax: 020 8566 7217
Email: sales@perancea.com Web: www.perancea.com