

Han® S-CP

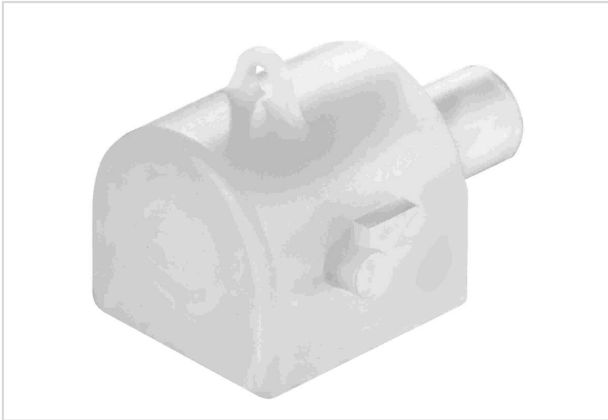


Image is for illustration purposes only. Please refer to product description.

Part number	09 93 000 5401
Specification	Han® S-CP
HARTING eCatalogue	https://b2b.harting.com/09930005401

Identification

Category	Accessories
Series	Han® S
Identification	Han® S 200
Type of hood/housing	Protection cover
Description of hood/housing	for screw mounted housing for bulkhead mounted housings

Version

Locking type	Single locking lever
--------------	----------------------

Commercial data

Packaging size	2
Net weight	4 g
Country of origin	China
European customs tariff number	85389099
GTIN	5713140192355
eCl@ss	27440208 Cap for industrial connectors

Mouser Electronics

Authorized Distributor

Click to View Pricing, Inventory, Delivery & Lifecycle Information:

[HARTING:](#)

[09930005401](#)