

**SPECIFICATIONS**

FLUID : air or neutral gas, filtered,  
lubricated (G 3/8) or not (G 1/4)  
PORTS : G 1/4 - G 3/8  
PRESSURE : 0 to 10 bar  
TEMPERATURE : - 25°C to + 60°C  
FLOW (Qv at 6 bar) : see table below

**CONSTRUCTION**

**series 551**

Body G 1/4, treated aluminium  
Internal parts: zinc diecasting, steel, stainless steel, acetal (POM)  
Sealings: nitrile (NBR) and polyurethane (PUR)

**series 552**

Body G 3/8, in light alloy  
Internal parts: stainless steel, light alloy  
Sealings: nitrile (NBR)



1 = Pressure  
2,4 = Outlets  
3,5 = Exhausts

**CHOICE OF EQUIPMENT**

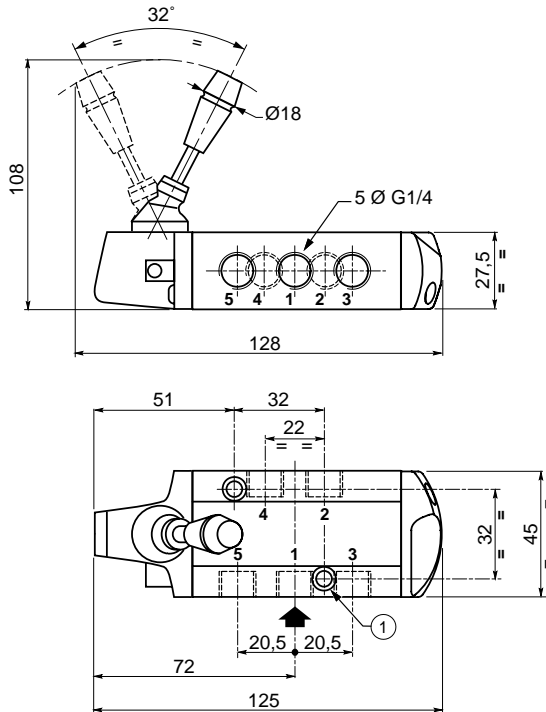
Symbols functions	Operators		Ø ports	Flow at 6 bar l/min (ANR)	CODES
	Pilot	Return			
<b>LEVER OPERATED</b>					
	Lever - Lever detented		G 1/4	860	<b>55102092</b>
	Lever 2 positions		G 3/8	1610	<b>55200036</b>
	Lever	Spring	G 1/4	860	<b>55102093</b>
			G 3/8	1610	<b>55200037</b>
<b>PEDAL OPERATED</b>					
	Pedal 2 positions		G 1/4	860	<b>55102094</b>
	Pedal	Spring	G 1/4	860	<b>55102095</b>
<b>BUTTON OPERATED</b>					
	Buton	Spring	G 1/4	860	<b>55102085</b>
	Button push-pull		G 1/4	860	<b>55102086</b>

# Series 551 - 552 (5/2)

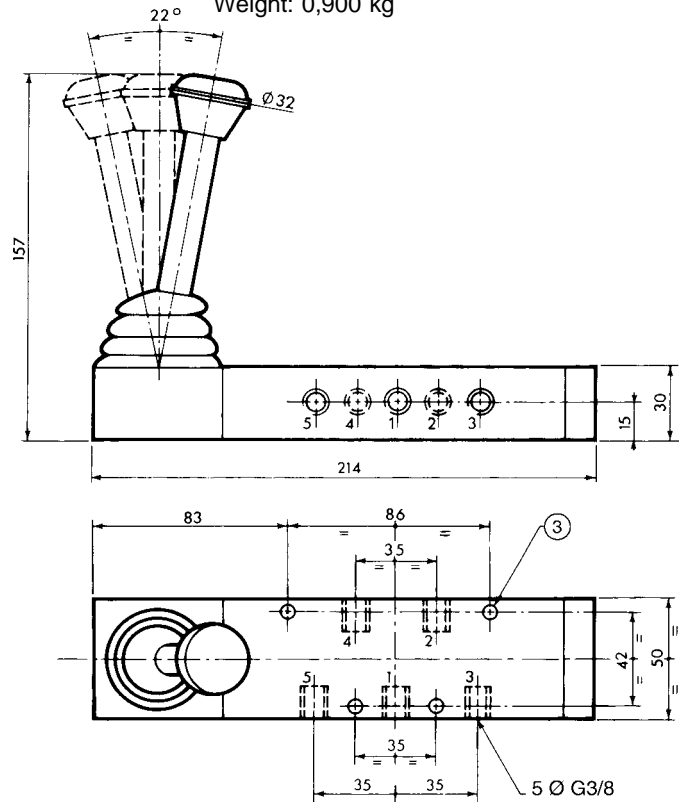
## DIMENSIONS AND WEIGHTS

### VALVE LEVER OPERATED

**Series 551** : ports G 1/4  
Weight: 0,390 kg



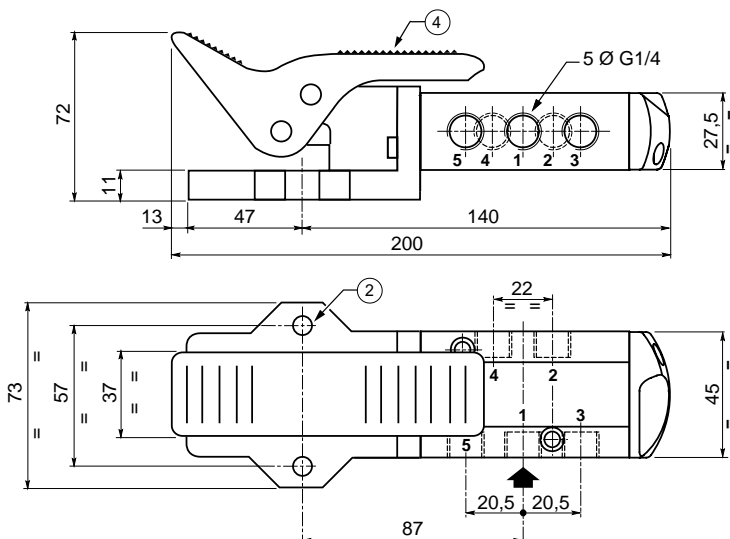
**Series 552** : ports G 3/8  
Weight: 0,900 kg



- ① 2 fixing holes:  $\varnothing$  5,3 - counterbore :  $\varnothing$  9, depth 5
- ② 2 fixing holes:  $\varnothing$  8,5
- ③ 4 fixing holes:  $\varnothing$  5,5
- ④ Return pedal 2 positions

### VALVE PEDAL OPERATED

**Series 551** : ports G 1/4  
Weight: 0,545 kg



### BUTTON, BUTTON PUSH-PULL

**Series 551** : ports G 1/4  
Weight: 0,265 Kg

