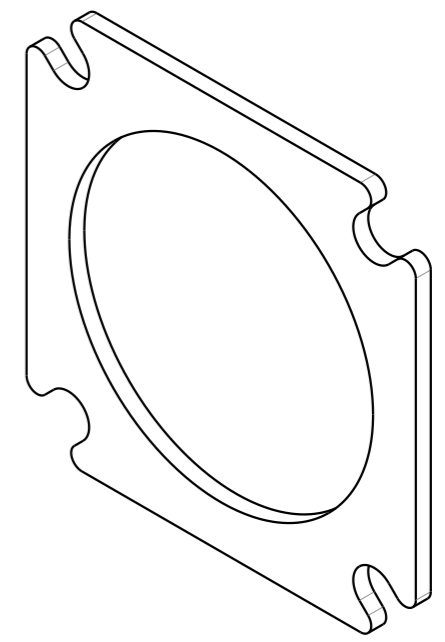
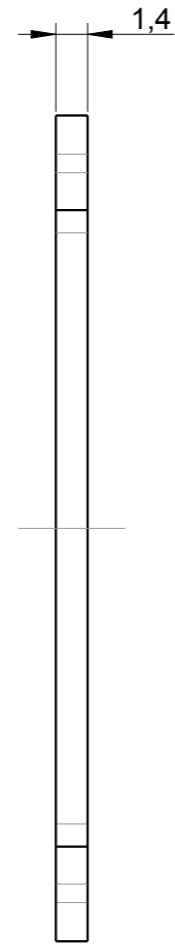
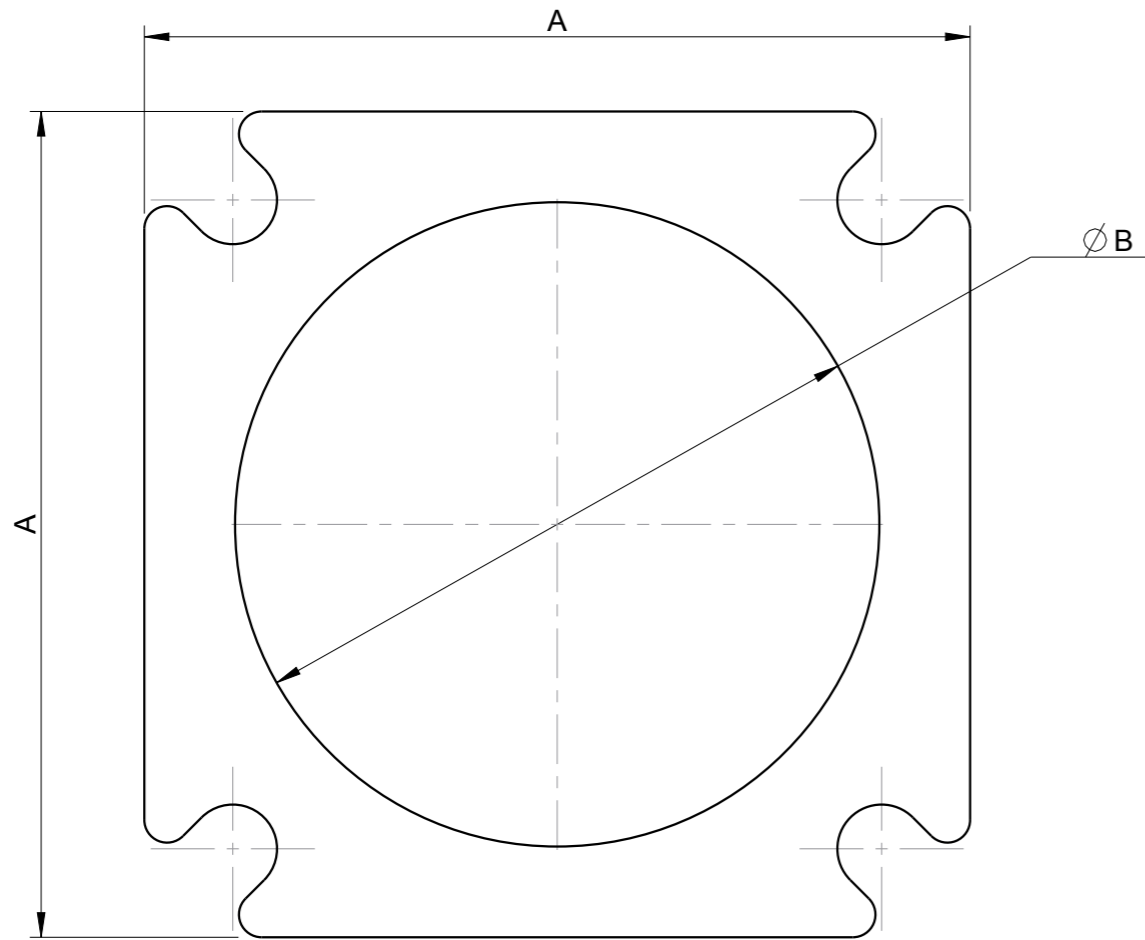


A.1; Validé

Material : TPE



P/N : SEE TABLE

P/N	A ± 0.5	Ø B ± 0.5
CL191001	29.9	Ø 20.6
CL192001	31.5	Ø 24.3
CL193001	36.3	Ø 28.5
CL194001	48.35	Ø 40.3

Country	Jurisdiction & Control List
FR	NOT LISTED

SOURIAU shall not be liable for any non-conformity or damage due to a use of the Products which does not comply with the Specifications issued by either of the Parties or by a third party (professional recommendation, technical notice.)

A		16/10/2018	Creation		
ISS	DATE	Latest modification - by:			MOD N°
Designed by:		COURTOIS L.	Date:	16/10/2018	CUSTOMER DRAWING
TITLE		JOINT DE CLOISON - COLLERETTE CARREE			
Scale	3/1		Dimensions in mm General linear Tolerances: ± 0.2	NPRDS / PROJECT CLIPPER	
		www.esterline-connection-technologies.com		This document is the property of SOURIAU It must not be reproduced or communicated without permission	
FORMAT	SOURIAU DRG N°			SHEET	
A3	C73-JCL1-A			1 / 1	