

THIS DRAWING IS UNPUBLISHED.

RELEASED FOR PUBLICATION

20

© COPYRIGHT 20

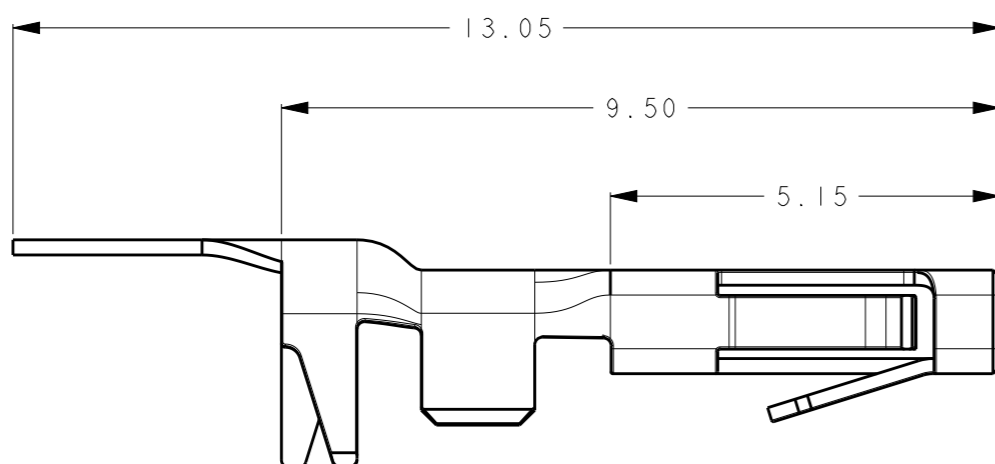
ALL RIGHTS RESERVED.

LOC
ES

DIST

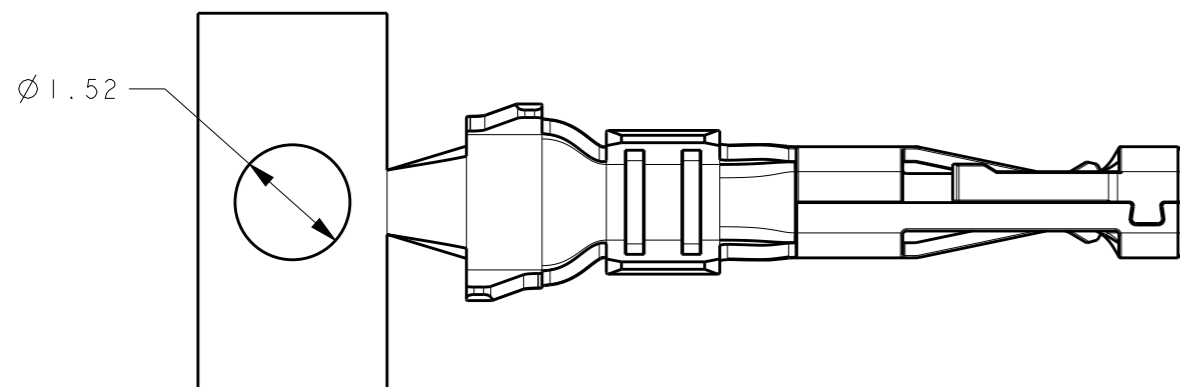
REVISIONS

P	LTR	DESCRIPTION	DATE	DWN	APVD
	A	INITIAL RELEASE	15JULY2016	W.Z	X.X



NOTES:

- ① MATERIAL: COPPER ALLOY
- ② FINISH: 2.0 MICRON MIN. TIN OVER NICKLE UNDERPLATED.
- ③ FINISH: GOLD FLASH PLATING ON CONTACT MATING AREA. TIN PLATING ON CRIMP AREA AND ALL NICKLE UNDERPLATED.
- 4. SEE TABLE FOR ALL THE PART NUMBERS.



1000 PCS/REEL	③	1.60-2.0	18-22 AWG	2-2834067-3
10,000 PCS/REEL	③	1.60-2.0	18-22 AWG	1-2834067-3
1000 PCS/REEL	②	1.60-2.0	18-22 AWG	2-2834067-2
10,000 PCS/REEL	②	1.60-2.0	18-22 AWG	1-2834067-2
PACKAGE Q'TY	FINISH	INSULATION DIAMETER RANGE	WIRE RANGE	PART NO

THIS DRAWING IS A CONTROLLED DOCUMENT.		DWN 15JULY2016 ZHANG WEI	TE Connectivity	
DIMENSIONS: mm		CHK 15JULY2016 SHI MING		
TOLERANCES UNLESS OTHERWISE SPECIFIED: ± 0.3		APVD 15JULY2016 XU XIANG	NAME SOCKET CONTACT MINIATURE WATERPROOF CONNECTOR	
0 PLC ± 1 PLC ± 2 PLC ± 3 PLC ± 4 PLC ± ANGLES ±5°		PRODUCT SPEC 108-137093	SIZE CAGE CODE DRAWING NO RESTRICTED TO	
MATERIAL		APPLICATION SPEC 114-137093	A300779C-2834067	
FINISH		WEIGHT -	SCALE 10:1 SHEET 1 OF 2 REV A	
		CUSTOMER DRAWING		

THIS DRAWING IS UNPUBLISHED.

RELEASED FOR PUBLICATION

20

© COPYRIGHT 20

ALL RIGHTS RESERVED.

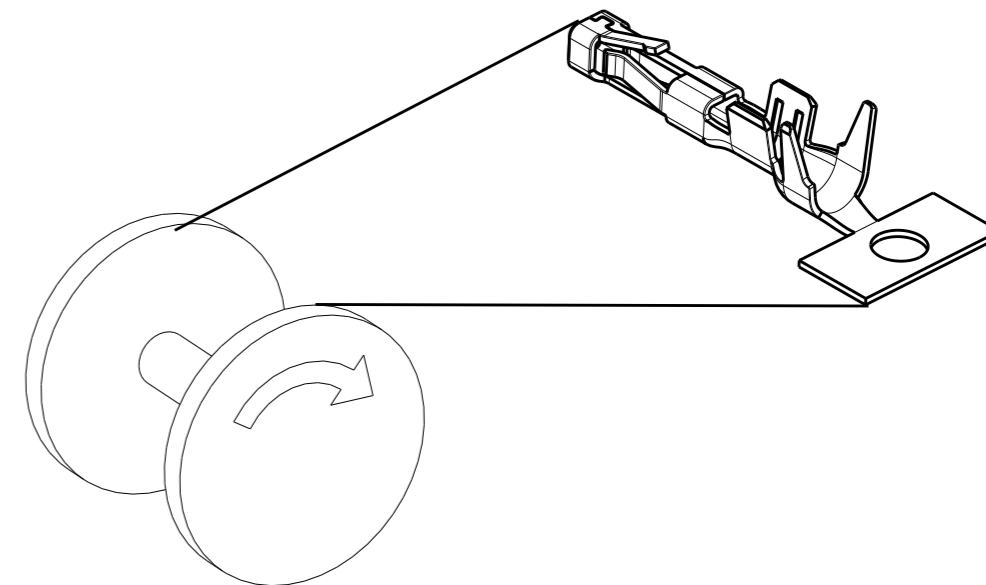
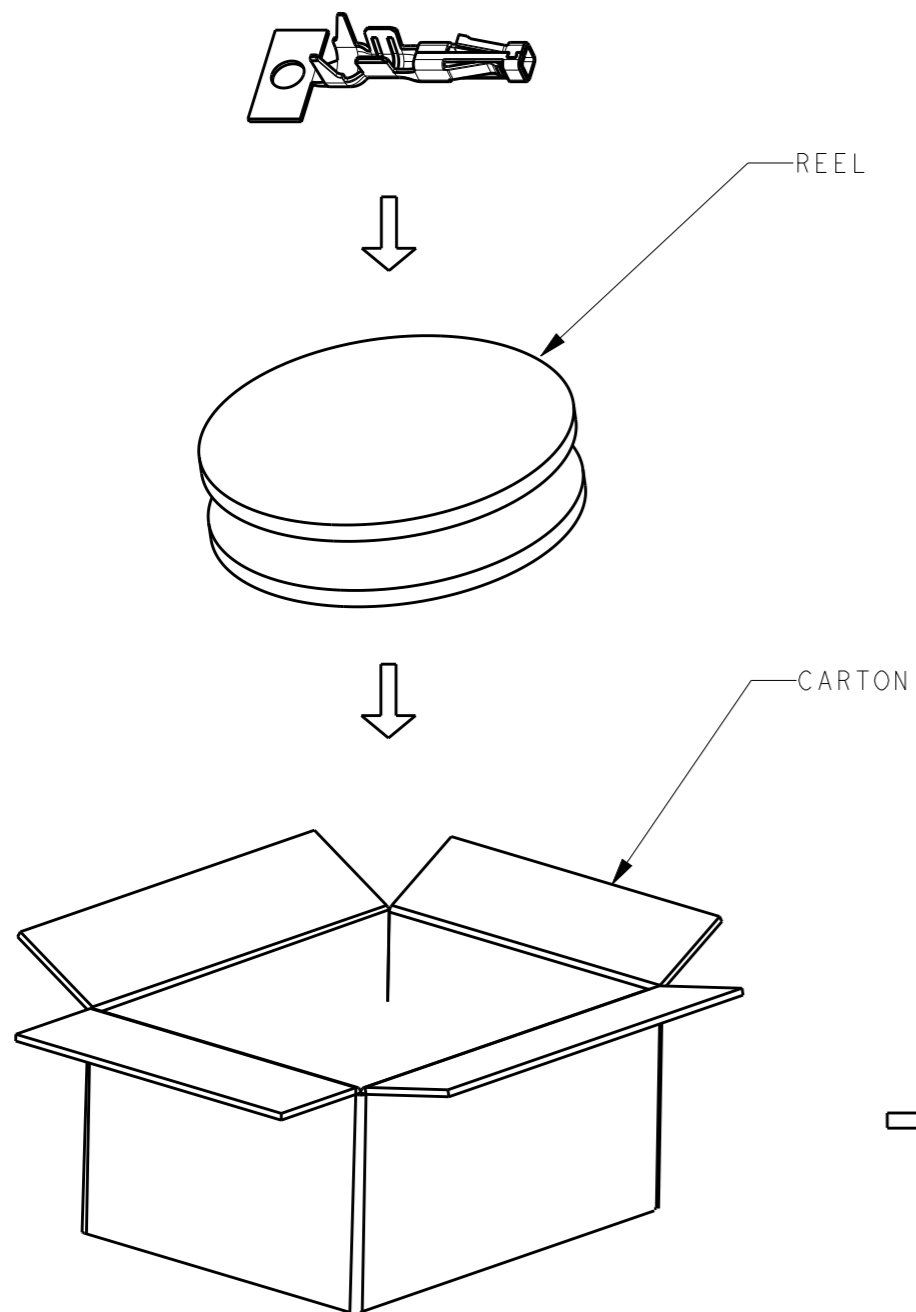
LOC
ES

DIST

REVISIONS

P	LTR	DESCRIPTION	DATE	DWN	APVD
		SEE SHEET 1			


PACKAGE PART NUMBER LIST:
 1-2834067-2, 2-2834067-2, 1-2834067-3, 2-2834067-3



CONTACT WITH PLATING

PART NUMBER	PARTS PER REEL	REELS PER CARTON	PARTS PER CARTON
1-2834067-2	10,000 PCS	4	40,000 PCS
2-2834067-2	1000 PCS	3	3,000 PCS
1-2834067-3	10,000 PCS	4	40,000 PCS
2-2834067-3	1000 PCS	3	3,000 PCS

NOTE:
 1.PUT PARTS IN THE REEL AS STAMPING&PLATING PROCESS.
 2.PUT PACKED REEL INTO CARTON.
 3.SEAL THE CARTON
 4.PACKAGING QUANTITY: SEE TABLE.
 5.PACKAGING SPEC : 107-137093.

THIS DRAWING IS A CONTROLLED DOCUMENT.		DWN	25JUL2016	 TE Connectivity NAME SOCKET CONTACT MINIATURE WATERPROOF CONNECTOR	RESTRICTED TO
DIMENSIONS: mm		CHK	25JUL2016		
TOLERANCES UNLESS OTHERWISE SPECIFIED: ± 0.3		APVD	25JUL2016		
0-PLC ± 1-PLC ± 2-PLC ± 3-PLC ± 4-PLC ± ANGLES ±5°		PRODUCT SPEC	108-137093		
MATERIAL		FINISH		APPLICATION SPEC	114-137093
		WEIGHT	-	SIZE	A3
		CUSTOMER DRAWING		CAGE CODE	00779
				DRAWING NO	C-2834067
				SCALE	5:1
				SHEET	2 OF 2
				REV	A