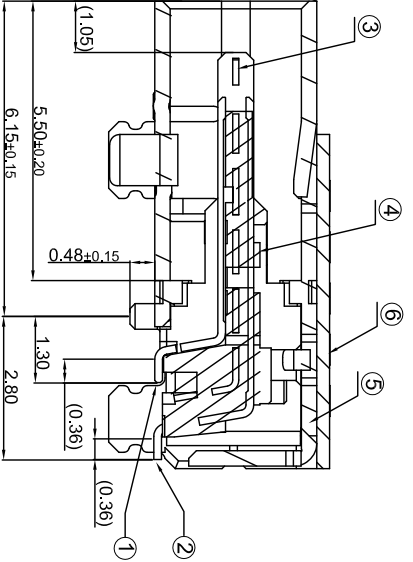
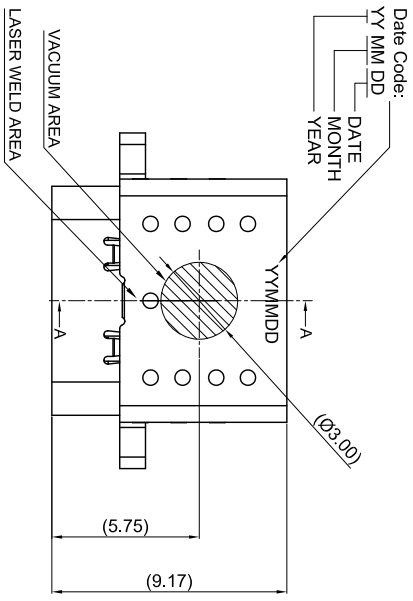


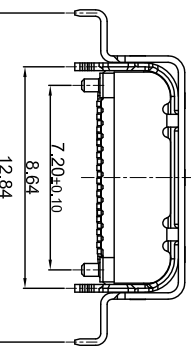
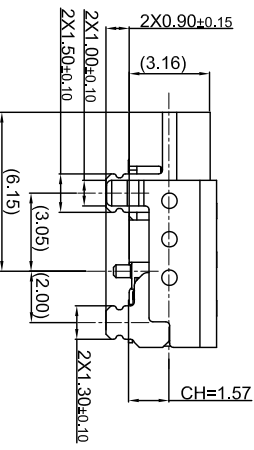
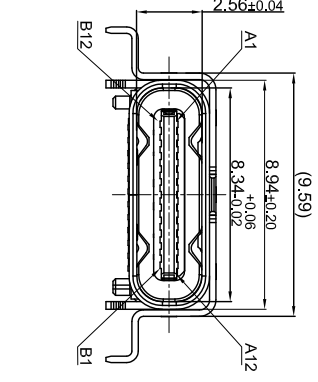
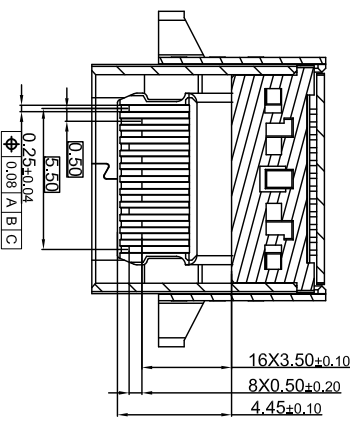
This document is the property of Amphenol Corporation and is retained on the premises of the manufacturing or sales office. No part of this document or the information contained herein may be reproduced, stored in a retrieval system, or transmitted in any form or by any means, electronic, mechanical, photocopying, recording, or by any information storage and retrieval system, without the prior written permission of Amphenol Corporation. The information in this document is for use only in the manufacture of the product identified in the title block of this drawing.

# CUSTOMER DRAWING

REVISIONS				
SYM	ECN	DESCRIPTION	DATE	APPROVED
1	***	FIRST RELEASE	2020/06/16	Michaelip
2	***	Add packaging Information	2020/06/16	Michaelip
3	***	Add packaging Information	2020/08/06	Michaelip
4	***	Update plating specifications	2020/08/07	Michaelip
5	***	Update plating specifications	2020/10/11	Michaelip

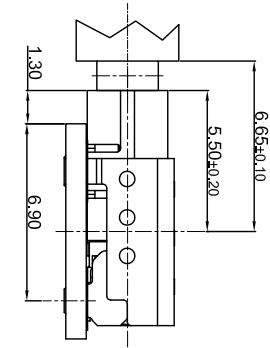
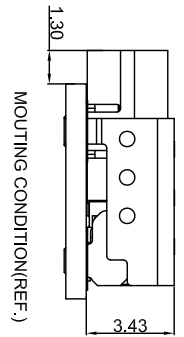
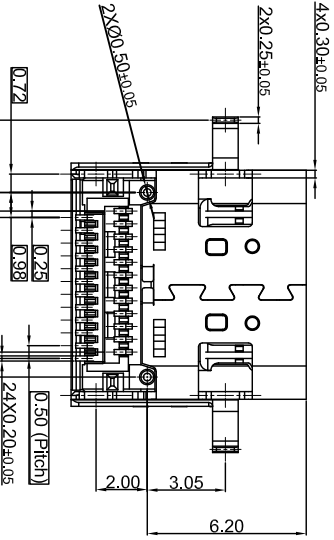


SECTION A-A(剖视图A-A)  
SCALE 2:1 (比例 2:1)



Pin 定义:

A1	A2	A3	A4	A5	A6	A7	A8	A9	A10	A11	A12
GND	TX1 + TX1 -	Vbus	CC1	D+	D-	SBU1	Vbus	RX2 -	RX2 +	GND	GND
RX1 + RX1 -	Vbus	SBU2	D-	D+	CC2	Vbus	TX2 -	TX2 +	GND	GND	B1
B12	B11	B10	B9	B8	B7	B6	B5	B4	B3	B2	B1



ITEM	DESCRIPTION	QTY	MATERIAL	FINISH	REMARK
6	OUT SHELL	1	STAINLESS STEEL	NICKEL PLATING	
5	INT SHELL	1	STAINLESS STEEL	NICKEL PLATING	
4	MAIN HOUSING	1	HIGH TEMPERATURE		COOPER BRACK
3	IMP PLATE	1	STAINLESS STEEL		
2	BOTTOM TERMINAL	1	COPPER ALLOY		MATING SIDE: GOLD FLASH
1	TOP TERMINAL	1	COPPER ALLOY		SOLDER TAIL: GOLD FLASH; 30% NICKEL OVERALL

UNLESS OTHERWISE SPECIFIED	APPROVAL	DATE
TOLERANCES	DRAWN	06/16/20
FRACTION	CHECKED	06/16/20
DECIMAL	APPROVED	06/16/20
ANGLES	DATE	
UNLESS OTHERWISE SPECIFIED		
FOR MATERIALS AND FINISHES		
SEE NOTES		
RELATIVE SHARP EDGES		
DIMENSIONS		
US		
MM		
SCALE		

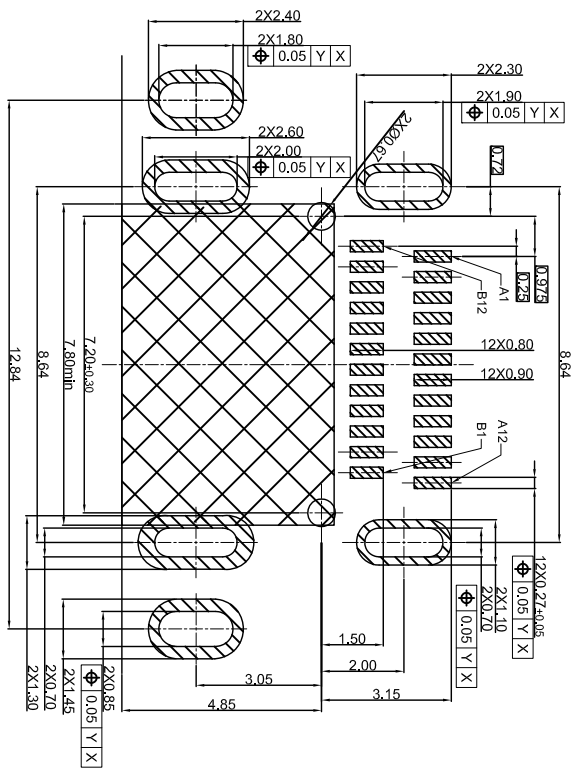
Amphenol  
Amphenol East Asia Limited  
Customer Drawing For  
USB4 Type C socket connector, 8/A, Top mount,  
Double Sided Type, CH=157mm, No Water proof

SIZE	DRAWING NO.	REV.
A3	C 12402056	5
SCALE	NONE	SHEET 1 OF 2

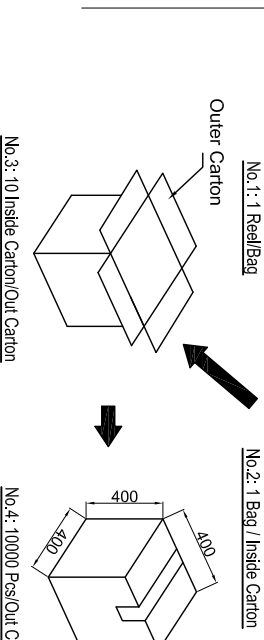
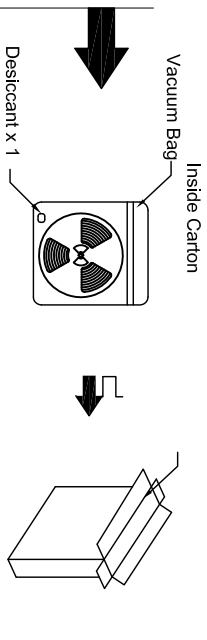
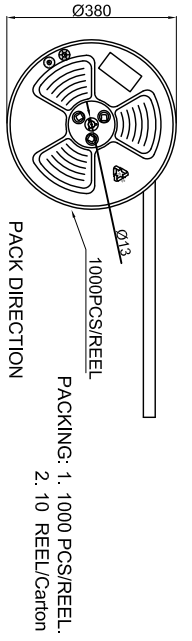
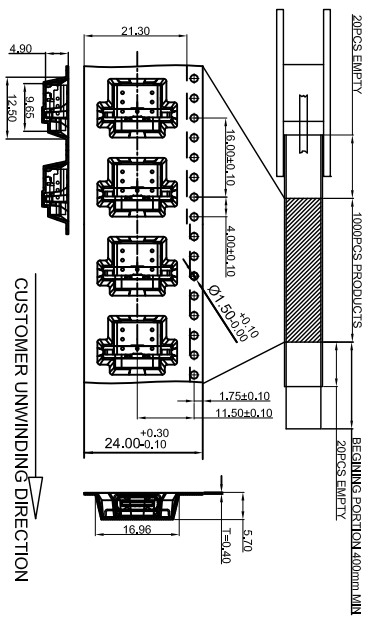
This document is the property of Amphenol Corporation and is delivered on a non-exclusive basis. It is to be used for the manufacture or sale of products of Amphenol or its subsidiaries and its affiliates. It is not to be used for the manufacture or sale of any other product or to be used for any other purpose without the prior written consent of Amphenol Corporation. If you are not an authorized recipient of this document, you should not disseminate, distribute or use any information in this document.

# CUSTOMER DRAWING

SYM	ECN	DESCRIPTION	DATE	APPROVED
		<b>SEE PAGE 1</b>		



Recommended PCB Layout (Top View) 推荐的PCB布局(前视图)  
General Tolerances: ±0.05 / 公差: ±0.05



- NOTES/注释:
- MATERIAL/材料: **SEE TABLE** 见下表
  - GENERAL SPECIFICATION/通用特性:
    - COPLANARITY /共面度: **0.10 Max.**
    - CURRENT RATING /额定电流: **5A** / 额定电压: **5安培**
    - CONTACT RESISTANCE: **40mΩ MAX (INITIAL).**
  - INSULATION RESISTANCE: **100MΩ Min**  
接触电阻: **40毫欧最大(初始值)** / 绝缘电阻: **100MΩ Min**
  - DIELECTRIC WITHSTANDING VOLTAGE: **100 VAC**  
耐电压: **100伏交流**
  - MECHANICAL CHARACTERISTICS:
    - INSERTION FORCE: **5-20N** EXTRACTION FORCE: **8-20N**
    - AFTER DURABILITY EXTRACTION FORCE: **6-20N**
    - 力学特性: 初始插入力: **5~20N** 拔出力: **8~20N**
    - 耐久后拔出力: **6~20N**
  - DIMENSIONING SHALL BE INTERPRETED PER ASME Y14.5M 1994.  
尺寸标注基于ASME Y14.5M 1994标准规范
  - MATERIAL SHOULD BE FULL FILLED AMPHENOL SPEC.# S-SN-002.  
FOR HALOGEN FREE PRODUCTS, ALSO NEED TO MEET S-SN-004.  
产品材料环保标准为Amphenol SSN#002, 如果是无卤产品需满足标准SSN#004
  - ORDER P/N SYSTEM/产品料号编码系统: 12402056E512A

Plating Spec: \_\_\_\_\_  
 E2: Mating Area: Au 30" Min  
 Solder Area: Gold flash  
 80u" Min Nickel Under Plating Over All  
 A±HF Package Spec.  
 2±Reel  
 Date Code Description  
 1±With D/C

UNLESS OTHERWISE SPECIFIED		APPROVAL		DATE	
TOLERANCES	U.S.	METRIC	DRAWN	DATE	DATE
XX	±0.05	±0.10	Checked	FAMU	09/19/20
XXX	±0.10	±0.15	Checked	Mitchell	09/19/20
FRACTIONS 1/16					
ANGLES ±1/2°					
REMOVE SHARP EDGES					
SEE NOTES					
REMOVE SPARKS AND FINISHES					
DIMENSIONS					
	THS	THRS			
(METRIC)		(MM)			
DRAWING FILE: _____					
ANGLE OF PRODUCTION _____					
TITLE Customer Drawing For Amphenol East Asia Limited					
USA Type C, sealed connector, R/A, Middle mount.					
Solder SH Type, SH=1.57mm, No Wave Press					
SIZE	DRAWING NO.		SCALE		REV.
A3	12402056		NONE		5
SHEET			2 OF 2		