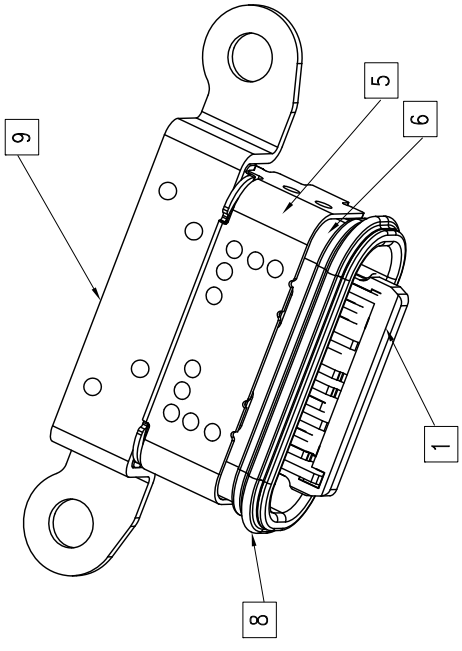
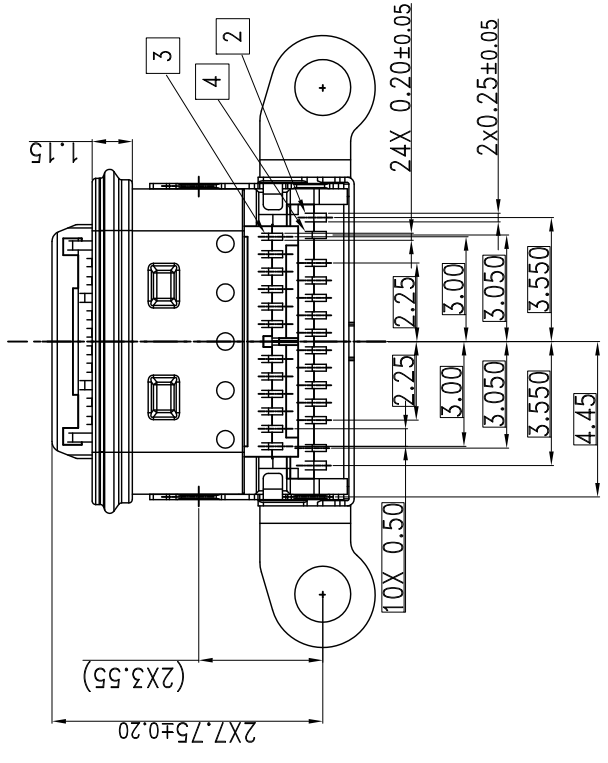
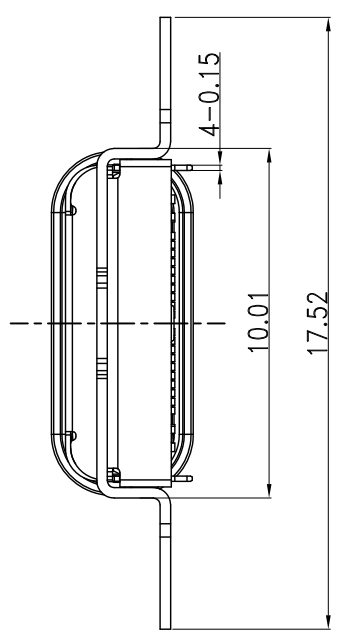
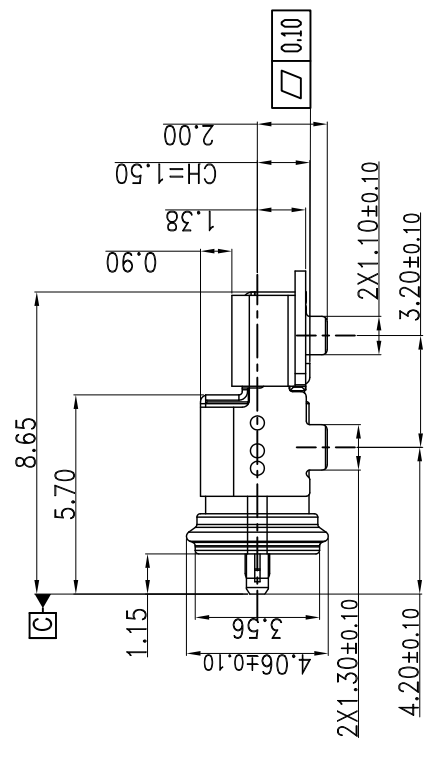
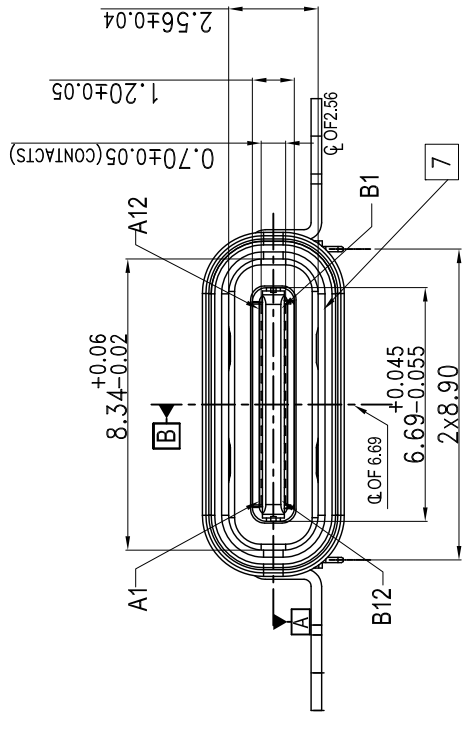
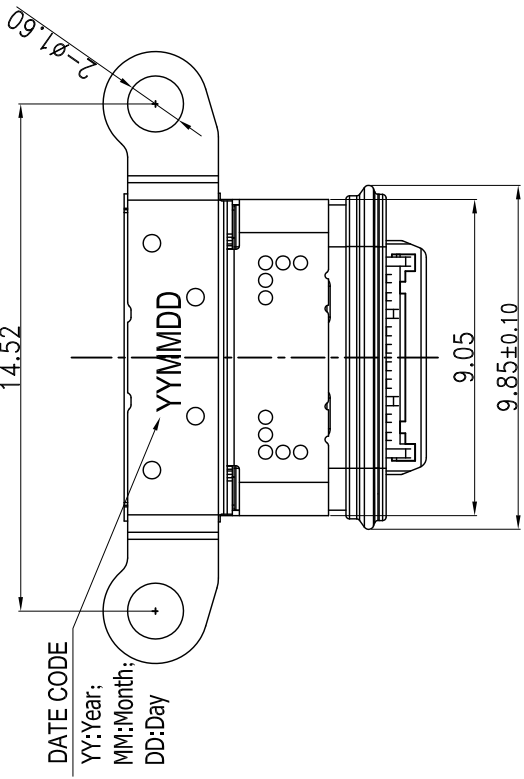


REFERENCE DRAWING

REV.	ECN.NO.	MODIFY.CONTENT	DATE
A	18050004	NEW RELEASE	05/23/18
B	18*****	Update plating specifications	07/31/18

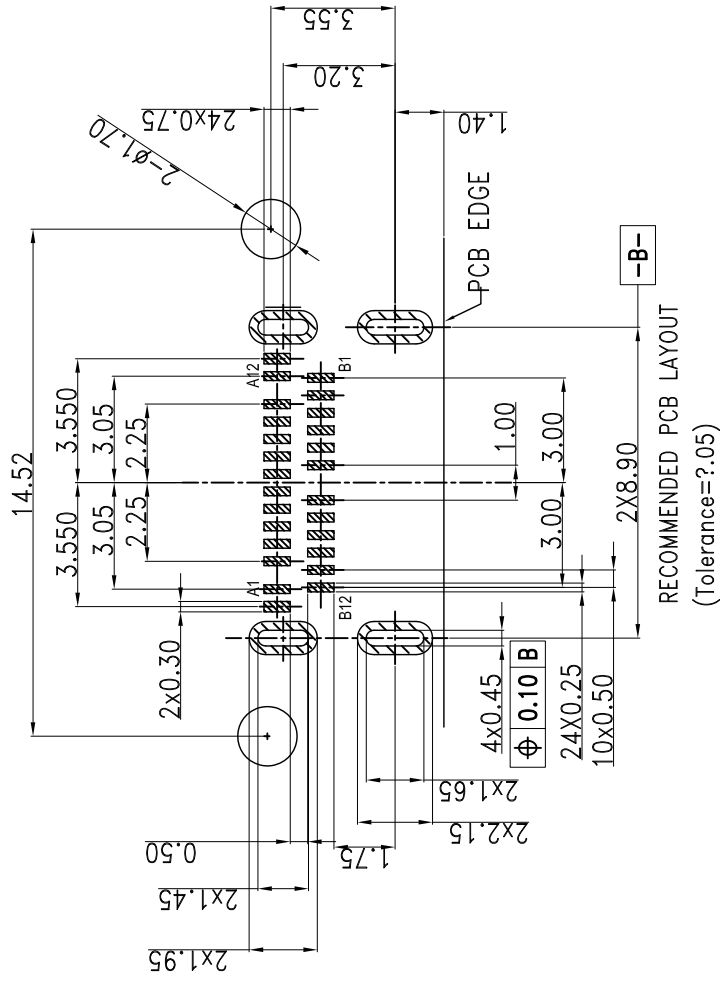


GENERAL	TOLERANCE	FILE.NO.	C12401879	PART.NO.	124018792112A	DRAWN	ALEC.LI	MATERIAL	SCALE	1:1
X.±0.50	x.°±5°	REV.	B	TITLE	USB TYPE C CONNECTOR TOP MOUNT(WATERPROOF)	CHECKED	WEISON.LU	DATE	UNIT	MM
.X±0.38	.x°±2°	SIZE		SHEET	10F2	APPROVED	TOM	07-31-2018		
.XX±0.25	.xx±1°	A4						Amphenol Shouhmin Industry		

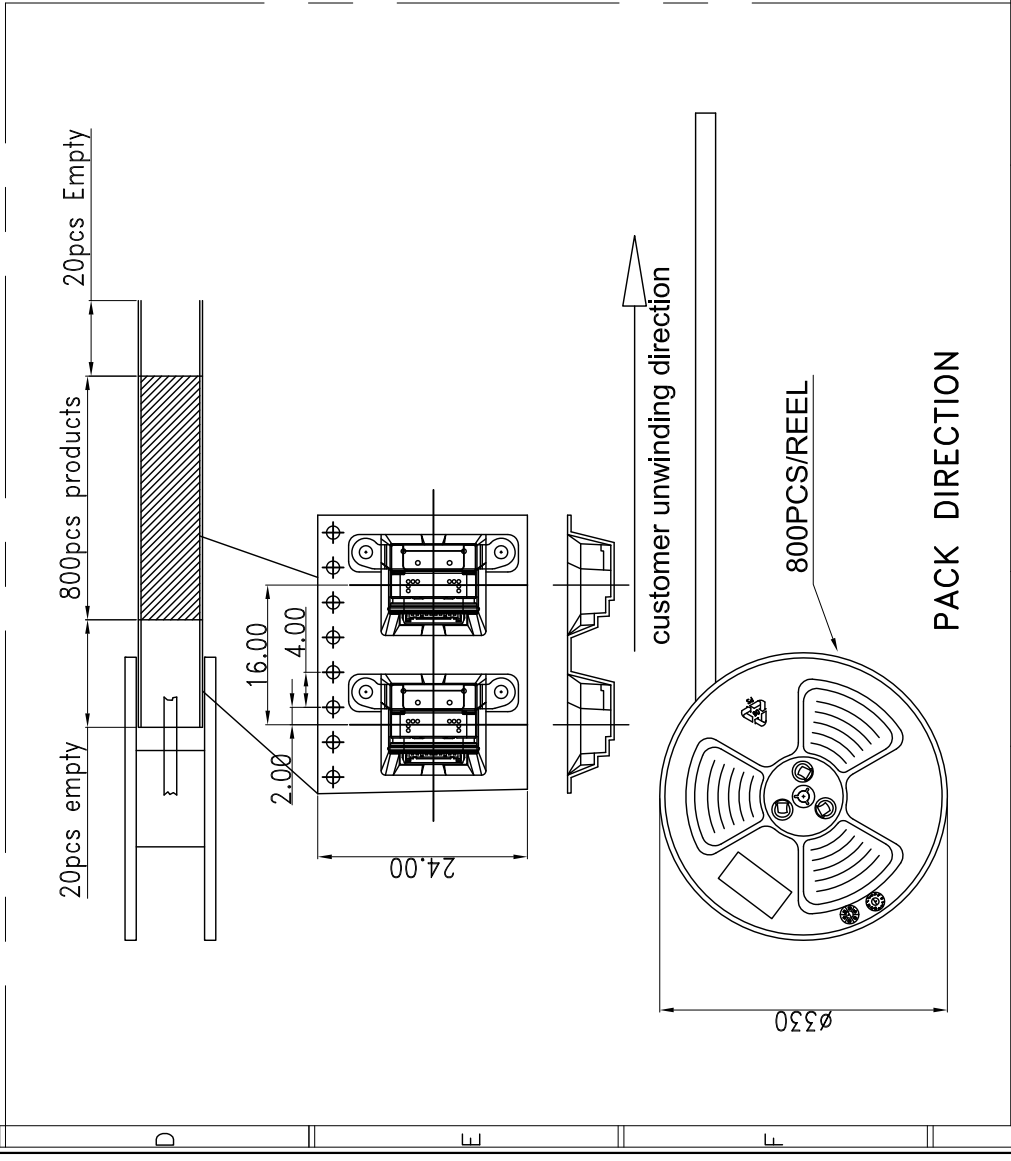
REFERENCE DRAWING

REV. ECN.NO. MODIFY.CONTENT DATE
SEE PAGE 1

Pin No	Signal Name	Mating Sequence	Pin No	Signal Name	Mating Sequence
A1	GND	First	B12	GND	First
A2	TX1+	Second	B11	RX1+	Second
A3	TX1-	Second	B10	RX1-	Second
A4	Vbus	First	B9	Vbus	First
A5	CC1	Second	B8	SBU2	Second
A6	D+	Second	B7	D-	Second
A7	D-	Second	B6	D+	Second
A8	SBU1	Second	B5	CC2	Second
A9	Vbus	First	B4	Vbus	First
A10	RX2-	Second	B3	TX2-	Second
A11	RX2+	Second	B2	TX2+	Second
A12	GND	First	B1	GND	First
SHELL		GND	SHELL		GND



- NOTES:
- MATERIAL :SEE TABLE
 - COPLANARITY : 0.10 Max.
 - ELECTRICAL CHARACTERISTICS
LOW LEVEL CONTACT RESISTANCE: 40mΩ Max
INSULATION RESISTANCE:100MΩ MIN
DIELECTRIC WITHSTANDING VOLTAGE:100 VAC:
CONTACT CURRENT RATING:5A Max
 - MECHANICAL CHARACTERISTICS
INSERTION FORCE: 5~20N
EXTRACTION FORCE: 8~20N
AFTER DURABILITY EXTRACTION FORCE: 6~20N
 - DURABILITY: 10000 CYCLES
 - PACKAGING TYPE: CARRIER TAPE.
 - WATERPROOF LEVEL:IP68
 - USB 3.1 GEN2
 - MATERIAL SHOULD BE FULFILLED AMPHENOL SPEC# SSN002 AND CUSTOMER REQUIREMENTS,FOR HALOGEN FREE PRODUCTS, ALSO NEED TO MEET SSN004



ITEM	DESCRIPTION	Q'TY	MATERIAL	FINISH
9	OUTER SHELL	1	STAINLESS STEEL	CLEAN
8	LIM	1	CHN-MS-50-A/B	BLACK
7	SMALL SHELL	1	STAINLESS STEEL	CLEAN
6	MAIN SHELL	1	STAINLESS STEEL	CLEAN
5	SUB-SHELL	1	STAINLESS STEEL	SOLDER NICKEL: 50U" MIN
4	TOP TERMINAL	1	COPPER ALLOY	MATING SIDE:Au30u"MIN; SOLDER TAIL:Au3~8u", 80-150u" NICKEL OVERALL.
3	BOTTOM TERMINAL	1	COPPER ALLOY	MATING SIDE:Au30u"MIN; SOLDER TAIL:Au3~8u", 80-150u" NICKEL OVERALL.
2	MID PLATE	1	STAINLESS STEEL	SOLDER NICKEL: 50U" MIN
1	MAIN HOUSING	1	NYLON	BLACK

GENERAL	TOLERANCE	FILE.NO.	C12401879	PART.NO.	124018792112A	DRAWN	ALEC.LI	MATERIAL	SCALE	1:1	
X.±0.50	x.°±5°	REV.	B	TITLE	USB TYPE C CONNECTOR TOP MOUNT(WATERPROOF)	CHECKED	WEISON.LU	DATE	07-31-2018	UNIT	MM
.X±0.38	.x°±2°	SIZE		SHEET	20F2	APPROVED	TOM	Amphenol Shouhmin Industry			
.XX±0.25	.xx±1°	A4									