



Industrial potentiometers are currently one of the most cost-efficient and simplest methods to set output frequency of the inverters. All models are compatible with analogue current or voltage input. High IP 65 protection rating at the front for operation in high humidity and high dust level environment.



Single-turn potentiometers, resistive output

Output: resistive
Turns: 1
Operating voltage: 100VDC
Power: 0,25W
Protection rating: IP65
Tolerance: 10%
Characteristics: linear
Operating temperature: -25...70°C
Mounting hole diameter: Ø22.5mm

Models:	Resistance:
CM22-R1K	1kΩ
CM22-R2K	2kΩ
CM22-R5K	5kΩ
CM22-R10K	10kΩ
CM22-R50K	50kΩ
CM22-R100K	100kΩ
CM22-R500K	500kΩ



Multi-turn potentiometers, resistive output

Output: resistive
Turns: 14
Operating voltage: 100VDC
Power: 0,75W
Protection rating: IP65
Tolerance: 10%
Characteristics: linear
Operating temperature: -25...70°C
Mounting hole diameter: Ø22.5mm

Models:	Resistance:
CM22-R1K-MT	1kΩ
CM22-R2K-MT	2kΩ
CM22-R5K-MT	5kΩ
CM22-R10K-MT	10kΩ
CM22-R50K-MT	50kΩ
CM22-R100K-MT	100kΩ
CM22-R500K-MT	500kΩ



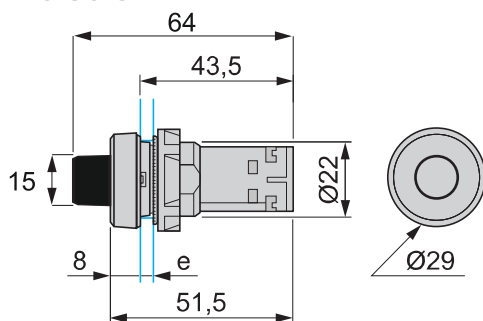
Single-turn potentiometers, current / voltage output

Output: current
Operating voltage: 15...30VDC
Output current: 4...20mA
Protection rating: IP65
Characteristics: linear
Operating temperature: -25...70°C
Mounting hole diameter: Ø22.5mm
Model:
CM22-4-20mA

Output: voltage
Operating voltage: 12...24VDC
Output voltage: 0-10V
Protection rating: IP65
Characteristics: linear
Operating temperature: -25...70°C
Mounting hole diameter: Ø22.5mm
Model:
CM22-0-10V



Dimensions:



e: panel thickness 1-6mm

Pins:

