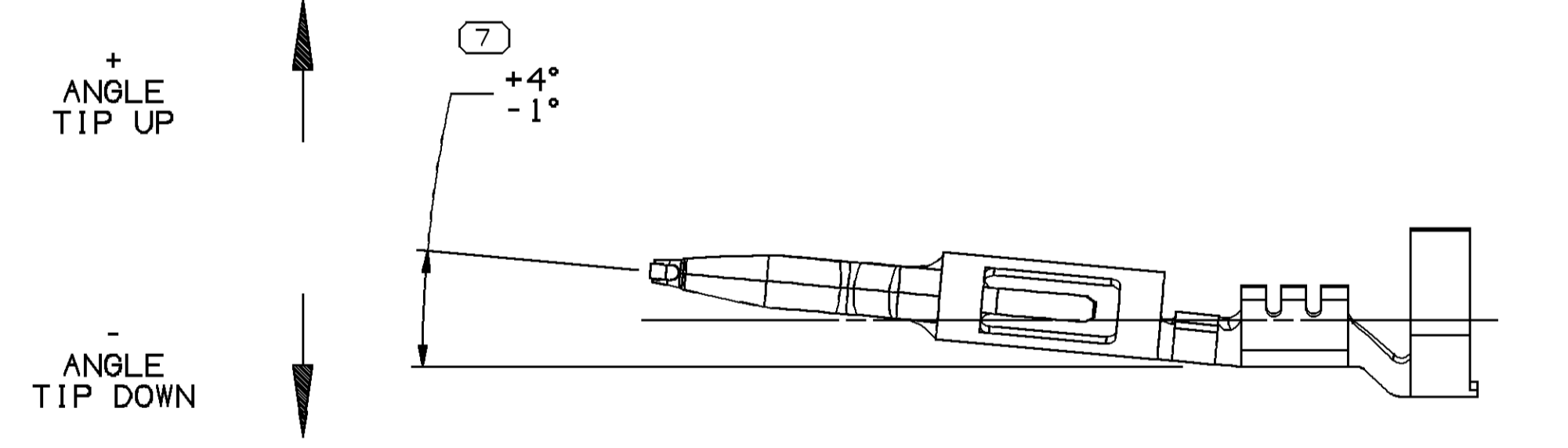
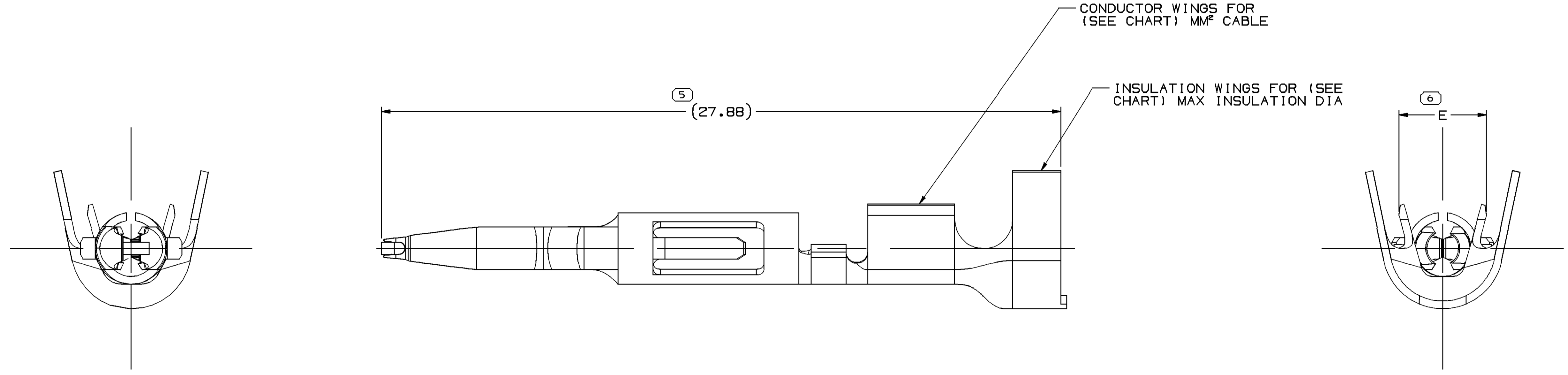
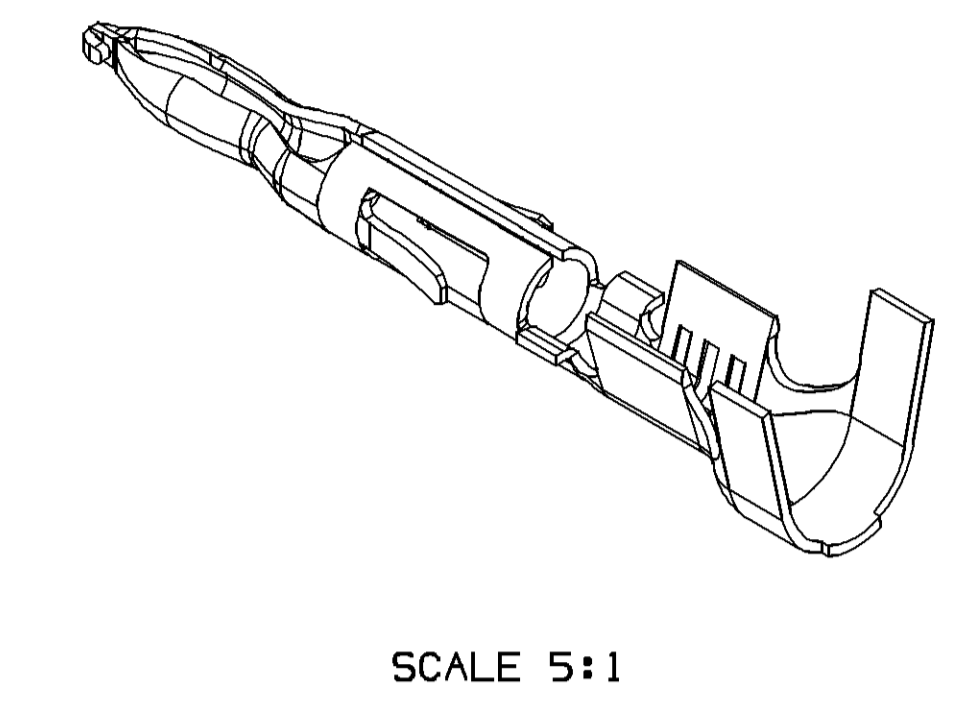
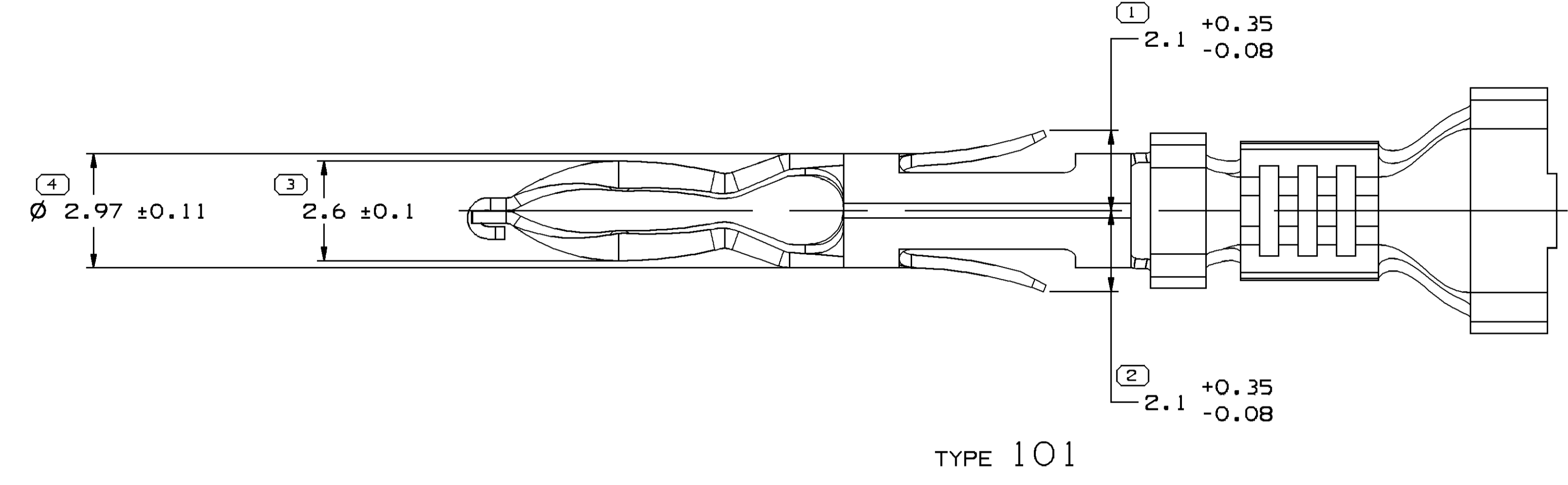
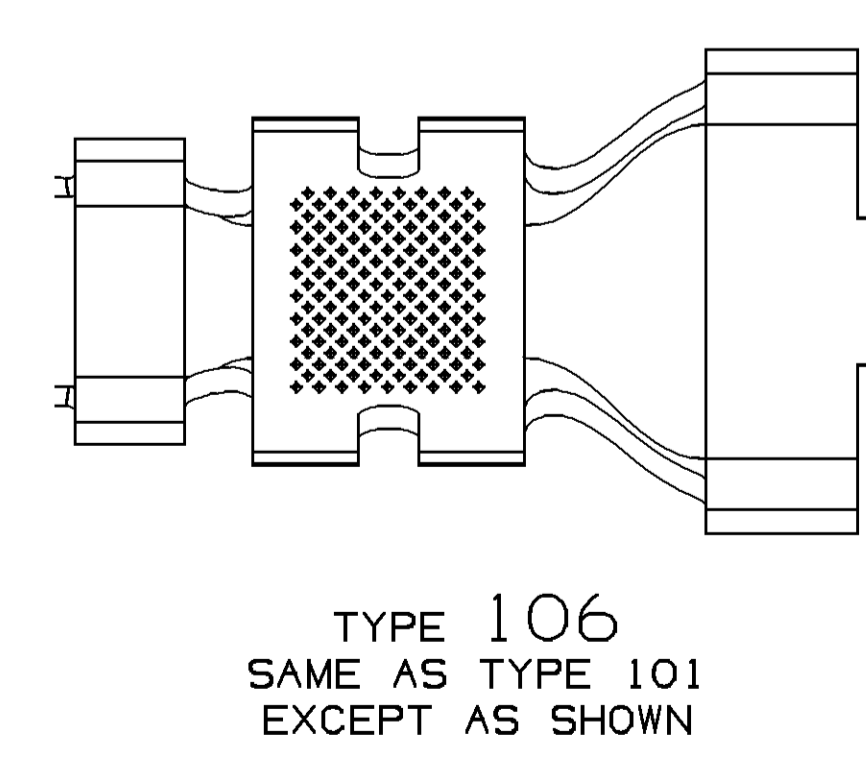
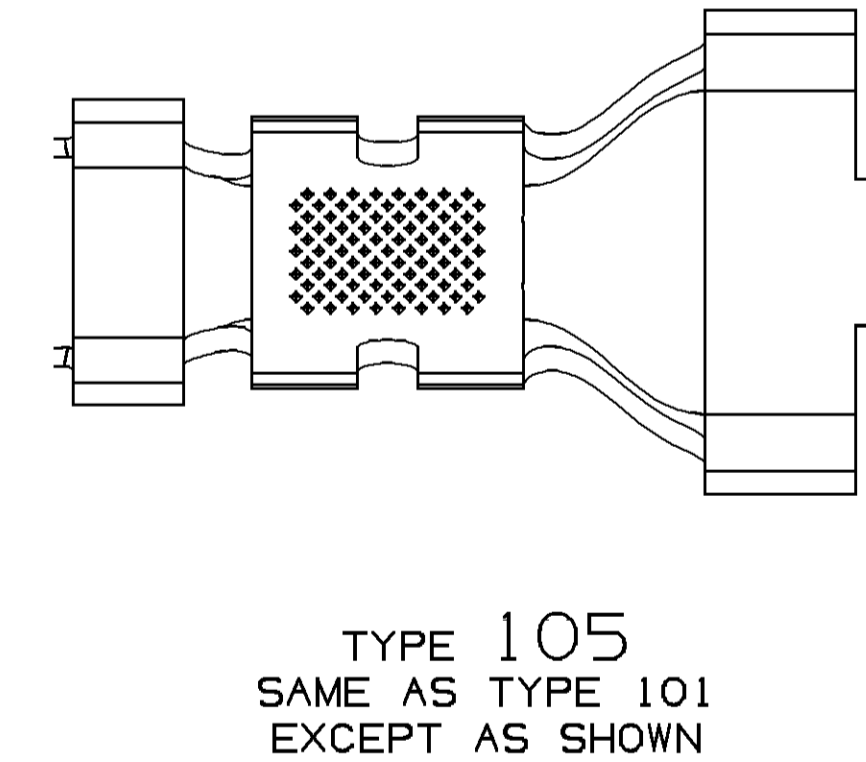
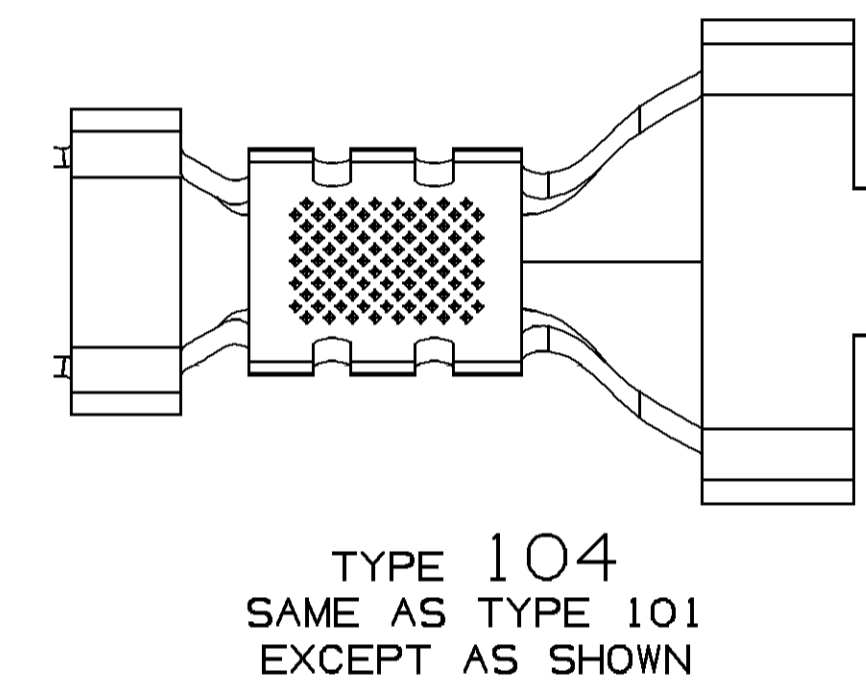
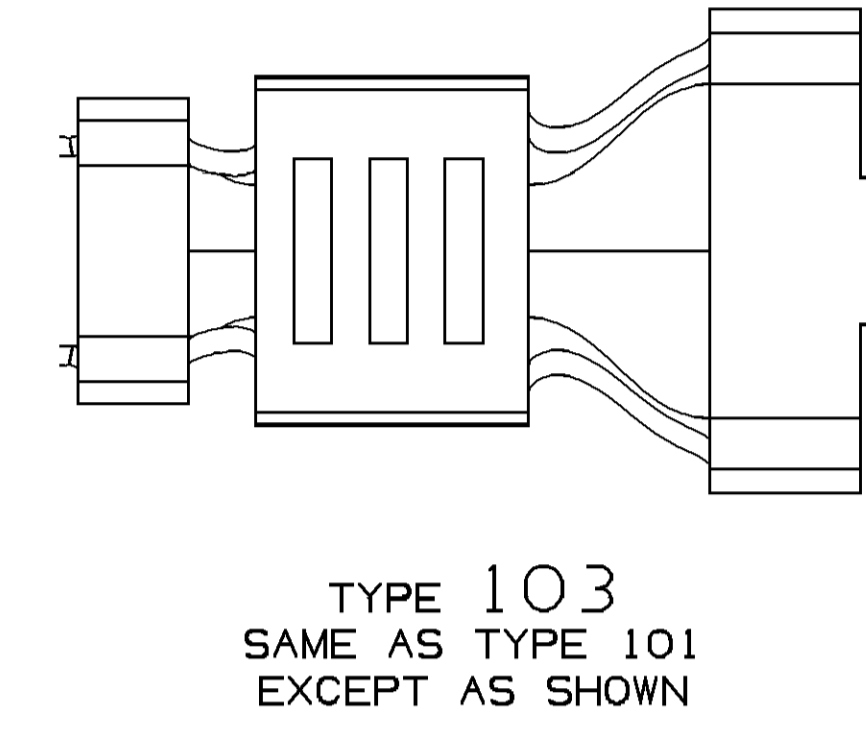
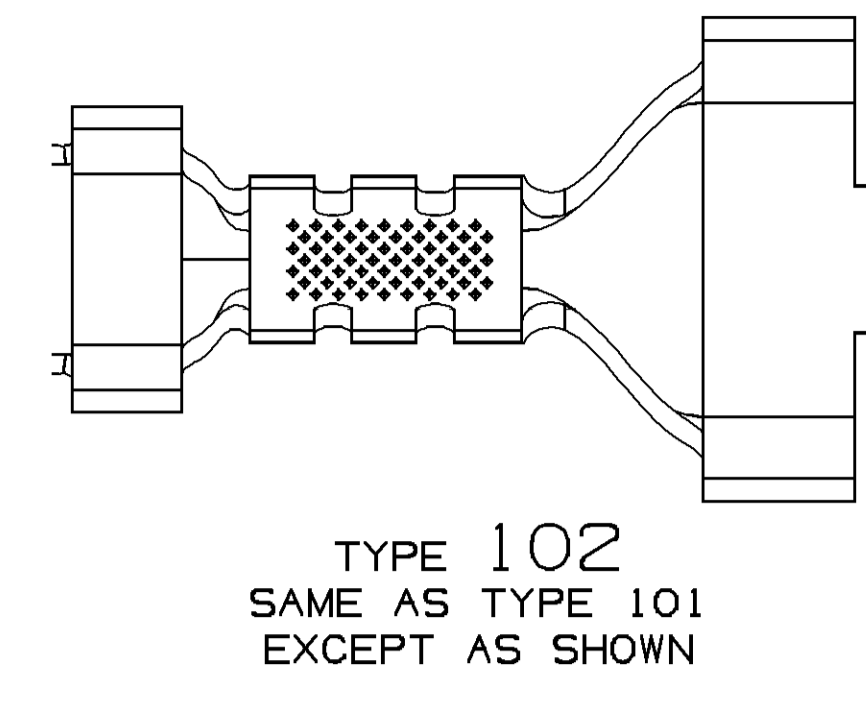
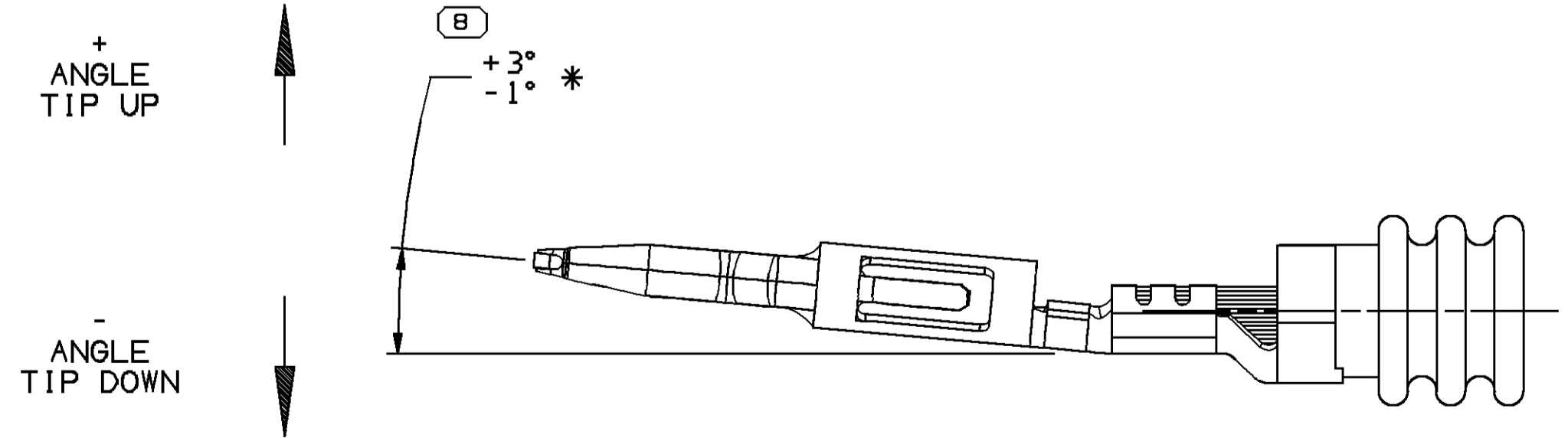


SYMBOL DEFINITION		TOTAL NO OF INSPECTIONS REQUIRED	MISSING SYMBOLS
A DIMENSION WITHOUT AN INSPECTION REPORT SYMBOL DOES NOT REQUIRE INSPECTION. IT MAY BE CONTROLLED ON THE INDIVIDUAL COMPONENT DRAWING.		8	NO MISSING SYMBOL NUMBER
		8	

DWS STATUS		ZONE		REVISION HISTORY		AUTH	DR	APVD	APVD
DATE	STG	REV	N/P	CHG					
05N003	R	01	-	-	ALL PARTS - REDRAWN TO PD	246857	JGR	RCH	JDY
21DE06	R	02	-	-	MATERIAL FOR P/N 12146576 AND 12146501 WAS P1519285 MATERIAL FOR P/N 12124587, 12124582, 12089307, 12089040 WAS P1519285	282294	TMF	TMF	TM
05AP11	R	03	-	-	ALL ACTIVE PARTS - ADDED TERMINAL ALIGNMENT VIEWS	413854	JEG	JVM	MAC
25MY12	R	04	-	-	12089306 AND 12089305 - ADDED REPLACED BY COLUMN	418180	JRV	FRE	JRV



TERMINAL ALIGNMENT (TERMINAL MAKE)
MEASURED FROM BOTTOM OF CORE WING
SCALE 5:1



TERMINAL, SEAL AND CABLE ALIGNMENT
MEASURED FROM BOTTOM OF CORE CRIMP
SCALE 5:1

- NOTES
- UNLESS OTHERWISE SPECIFIED AND/OR INDICATED: DIMENSIONS ARE TO FACE OF VIEW SHOWN AND AUTOMATICALLY ROUNDED BY COMPUTER FOR INSPECTION (SEE MATH MODEL FOR PRECISE DIMENSIONS). FOR ALL OTHER DIMENSIONS NOT SHOWN BUT REQUIRED FOR TOOL BUILD, SEE MATH MODEL FOR PRECISE TOOL PATH DATA.
 - "PXX" INDICATES "P" PLUS LAST TWO DIGITS OF MAKE DIE SERIES NUMBER (P01, P02, P03, ETC).
 - TERMINAL DESIGNED FOR 3MM² CABLE. TERMINAL IS RATED AT 20 AMPERES. DO NOT EXCEED RATED CURRENT.
 - * DENOTES DIMENSIONS MADE AT CUT-OFF AND CRIMP DIE.

PART NO	REV	N/P	STATUS	MAT'L SIZE	MAT'L SPEC	CABLE SIZE (MM ²)	MAX. CABLE DIA.	I.D.NO.	TYPE	E±0.4	REPLACED BY
12146576	B3	-		0.320X36.53	M3639285	0.35-0.22	1.86	23	102	2.2	-
12146501	B3	-		0.320X36.53	M3639285	0.8-0.5	3.11	19	104	3	-
12124587	B3	-		0.320X36.53	M1574285	SEE NOTE 3	3.96	11	106	4.6	-
12124582	B3	-		0.320X36.53	M1574285	2-1	3.96	15	105	3.6	-
12089307	B3	-		0.320X36.53	M1574285	0.35-0.22	1.86	23	102	2.2	-
12089306	B1	-	OBsolete	0.320X36.53	P-1519285	SEE NOTE 3	3.96	11	103	4.6	12124587
12089305	B1	-	OBsolete	0.320X36.53	P-1519285	2-1	3.96	15	101	3.6	12124582
12089040	C3	-		0.320X36.53	M1574285	0.8-0.5	3.11	19	104	3	-

DWG TYPE: PART DRAWING

STYLE: ID

VOLUME (OMP): DISTR CODE: D

UNLESS OTHERWISE SPECIFIED
THIS DOCUMENT IS IN ACCORDANCE WITH ASME Y14.5M-1994 AS MODIFIED BY THE 2003 SUPPLEMENT AND TELEPHANING ADDENDUM-2001. SEPARATE PATTERNS OF FEATURES MAY BE SHOWN SEPARATELY, REGARDLESS OF DIMENSIONS.

ALL DIMENSIONS ARE IN MILLIMETERS

REFERENCE: REFERENCE

THIRD ANGLE PROJECTION

DO NOT SCALE USE MATH DATA

DATE: 12/10/08

DRAWING NUMBER: 12010088

SIZE: A0 SCALE: 10:1 FRAME NO: 1 OF 1 SHEET NO: 1 OF 4 REV: N/P

DELPHI
DELPHI PACKARD ELECTRICAL/ELECTRONIC ARCHITECTURE
WARREN, OH
COPYRIGHT 2003 DELPHI CORPORATION AND/OR ITS AFFILIATES. ALL RIGHTS RESERVED.
THIS DRAWING IS THE PROPERTY OF DELPHI CORPORATION. THE REPRODUCTION, DISTRIBUTION AND UTILIZATION OF THIS DOCUMENT OR ITS RELATED CAD DATA, AS WELL AS COMMUNICATION OF ANY CONTENT TO OTHERS, WITHOUT EXPRESS AUTHORIZATION IS PROHIBITED.

DRAWING NAME: TAXI TERM M W/P SEALED TANG

DRAWING NUMBER: 12010088