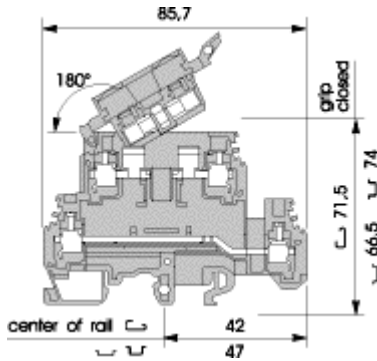


M 4/8.D2.SF - Double deck, 8 mm spacing, Upper level fused.

Double deck compression-clamp disconnect terminal blocks with fuse. Easy wiring of line-fuse-line applications. Shielding connector optional for shielded pairs.

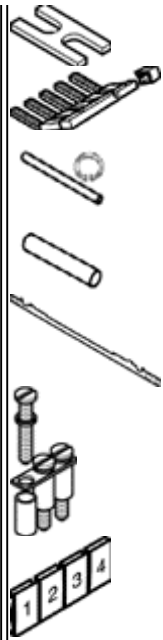
Spacing 8 mm (.315")



Standard block.

		Type	P/N	
Standard Block	Grey Body	M 4/8.D2.SF	115 604.21	
Characteristics		DIN-VDE	UL	CSA
Wire size mm ² / AWG	Solid wire	0-4	22-12AWG	18-12AWG
	Stranded wire	0-4		
Rated voltage	V AC / =DC	500/600Gr.C(1)	300	250
Rated current	A	6.3	10	6.3
Rated wire size	mm ² /AWG	4 mm ²	12 AWG	12 AWG
Wire stripping length	mm / inches	9.5 mm/.37"		
Recommended torque	Nm / lb.in	0.5-0.8 Nm/4.4-7.1 lb.in		

Accessories		Type	P/N		
	End stop DIN 1	BADH	th. 12	116 900.27	
	End stop DIN 3	BAEH	th. 12	116 934.04	
	End section	grey	FEM8D2S		116 913.07
	Test socket	DIA. 2 mm	AL2(2)		163 070.00
		DIA. 3 mm	AL3(2)		163 261.00
		DIA. 4 mm	AL4(2)		163 262.01
	Test plug	DIA. 2 mm	FC2		007 865.26
	Preassembled jumper bar Lower level	BJM8	2 pts.		168 520.05
		BJM8	3 pts.		168 521.22
		BJM8	4 pts.		168 522.23
BJM8		5 pts.		168 523.24	
BJM8		10 pts.		168 974.00	
Connector plate	EL6			173 627.21	



Comb-type jumper bar	10 poles	PC81	10 poles	173 523.11
Assembly rod	2 poles	TGA8	2 poles	168 672.11
	3 poles	TGA8	3 poles	168 673.12
	4 poles	TGA8	4 poles	168 674.13
Assembly ring	ANT			168 675.14
Fuse 5 x 20mm and 5 x 25mm 250 V Other ratings available, consult Entrelec	FU520		1.6 A	168 631.21
			2 A	168 832.22
			2.5 A	168 833.23
			4 A	168 834.24
			6.3 A	168 835.25
	FU525		1.6 A	167 546.22
			2 A	167 547.23
			2.5 A	167 548.04
			4 A	167 549.05
			6.3 A	167 550.02
Disconnect link bar	CN5			168 804.07
Shielding connector	CBD2S			178 408.14
See markers section	RC610 on lever, RC810 on side			