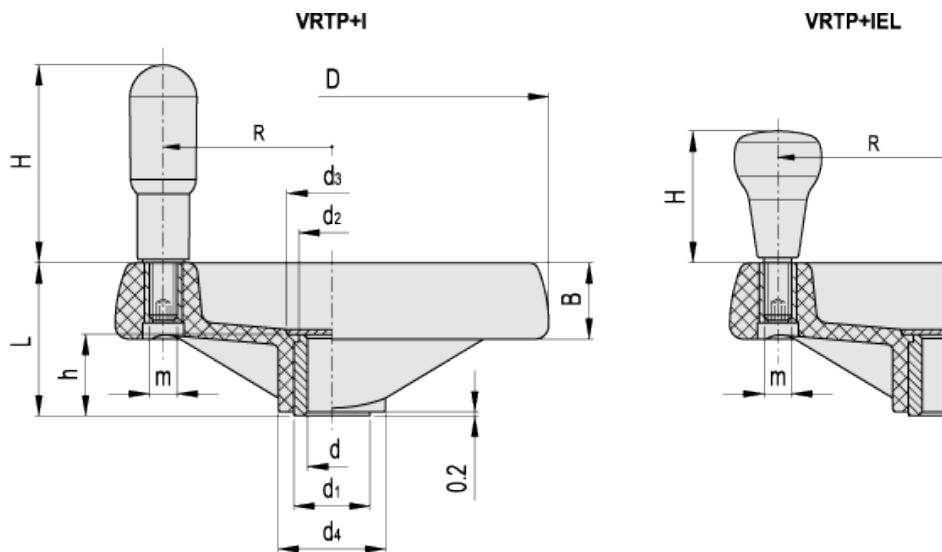


VRTP+I

Spoked handwheels with revolving handle



ELESA Original design



Elesa Standards		Main dimensions							Bore		Handle		C #	L #	Weight	
Code	Description	D	L	B	d ₁	d ₂	d ₃	d ₄	d _{H7}	h	H	m	R	[Nm]	[J]	g
78421-R	VRTP.80+I A-8	80	35	18	18	16	20.5	25	8	17	45	M6	29	32	5	104
78422-R	VRTP.80+I A-10	80	35	18	18	16	20.5	25	10	17	45	M6	29	32	5	100
78520-R	VRTP.100+I A-8	99	37	20	18	16	20.5	25.5	8	17	60	M6	37	54	7	150
78521-R	VRTP.100+I A-10	99	37	20	18	16	20.5	25.5	10	17	60	M6	37	54	7	145
78522-R	VRTP.100+I A-12	99	37	20	18	16	20.5	25.5	12	17	60	M6	37	54	7	140
78620-R	VRTP.125+I A-8	125	44	22	22	20	26	31	8	22	65	M8	48	94	10	250
78621-R	VRTP.125+I A-12	125	44	22	22	20	26	31	12	22	65	M8	48	94	10	245
78622-R	VRTP.125+I A-14	125	44	22	22	20	26	31	14	22	65	M8	48	94	10	240
78720-R	VRTP.160+I A-8	160	51	25	26	24	31	40	8	27	73	M8	65	185	15	363
78721-R	VRTP.160+I A-14	160	51	25	26	24	31	40	14	27	73	M8	65	185	15	356
78722-R	VRTP.160+I A-16	160	51	25	26	24	31	40	16	27	73	M8	65	185	15	339

Elesa Standards		Main dimensions							Bore		Handle		C #	L #	Weight	
Code	Description	D	L	B	d ₁	d ₂	d ₃	d ₄	d _{H7}	h	H	m	R	[Nm]	[J]	g
78820-R	VRTP.200+I A-8	200	61	28	30	28	36	48.5	8	34	80	M8	84	300	24	579
78821-R	VRTP.200+I A-16	200	61	28	30	28	36	48.5	16	34	80	M8	84	300	24	552
78823-R	VRTP.200+I A-20	200	61	28	30	28	36	48.5	20	34	80	M8	84	300	24	525
78921-R	VRTP.250+I A-20	250	69	32	35	33	44	58	20	38	90	M10	105	420	28	904
78923-R	VRTP.250+I A-24	250	69	32	35	33	44	58	24	38	90	M10	105	420	28	888
78958-R	VRTP.300+I A-20	300	78	35.5	40	37	52	66	20	43	90	M10	127	480	36	1050
78961-R	VRTP.300+I A-26	300	78	35.5	40	37	52	66	26	43	90	M10	123	480	36	1111
79021-R	VRTP.375+I A-26	375	87	39	35	33	70	81	26	43	90	M10	160	380	55	1240
78926-R	VRTP.250+IEL A-20	250	69	32	35	33	44	58	20	38	65	M10	105	420	28	914
78928-R	VRTP.250+IEL A-24	250	69	32	35	33	44	58	24	38	65	M10	105	420	28	818
78964-R	VRTP.300+IEL A-20	300	78	35.5	40	37	52	66	20	43	65	M10	127	480	36	1060
78966-R	VRTP.300+IEL A-26	300	78	35.5	40	37	52	66	26	43	65	M10	127	480	36	1121
79026-R	VRTP.375+IEL A-26	375	87	39	35	33	70	81	26	43	65	M10	160	380	55	1260

See [Technical Data](#) for maximum applicable torque (C) and impact strength (L).



Code	Description	Boss cap for
29552-*	ECB.T2-*	VRTP.125
29553-*	ECB.T3-*	VRTP.160
29554-*	ECB.T4-*	VRTP.200

* Complete with colour index (C1,.....,C6).

Material

High-resilience polypropylene based (PP) technopolymer. Resistant to solvents, oils, greases and other chemical agents.

Colour

Black, matte finish.

Boss-cap

Anodised aluminium self-adhesive front plate.

VRTP.375: cover in polyester based technopolymer (PBT), grey colour RAL 7035, glossy finish. Provided with the supply, press-fit assembly, removable by pressing on the outer edge (ELESA original design).

Standard execution

Black-oxide steel boss, H7 reamed hole.

- VRTP+I: with revolving handle [L.621+x](#) in polyamide based (PA) technopolymer, black colour, matte finish.
- VRTP+IEL: with revolving handle [IEL.+x-SOFT](#) in technopolymer coated with "soft-touch" thermoplastic elastomer (TPE), black colour, matte finish.

Accessories on request

- Axial retaining washer type [GN.184](#).
- VRTP.125, VRTP.160 and VRTP.200 are available also with boss caps in one of the Ergostyle colours (see table).

Special executions on request

Bosses with hole and keyway in compliance with [DIN 6885/1 P9 tolerance](#).

To order the handwheel with keyway complete code and description with the index -K (i.e. 78421-R-K VRTP.80+I A-8-K).



