



Base/Bracket Mounting



Tube mounting



Accessories

- Tube mounting solution suitable for Ø 25 mm and 1/2" NPT tubes
- Also available in 10-60 V AC/DC version
- Removal of the lens only possible with tools
- Also available with 2 frequencies

i TECHNICAL SPECIFICATIONS:

Dimensions (Ø x Height):	98 mm x 137 mm (Base/Bracket mounting) 98 mm x 200 mm (Tube mounting)
Cable entry:	Cable diameter 5-7 mm
Housing:	PC/ABS-Blend
Lens:	PC, transparent

FLASHING BEACON 828

Connection:	Screw terminal with wire protection 0.5-2.5 mm ²
Flash frequency:	c. 1 Hz
Life duration:	4 x 10 ⁶ flashes
12 V: Safety contact is triggered by removal of lens.	

FLASHING BEACON 828 WITH 2 FREQUENCIES

Connection:	Screw terminal with wire protection max. 2.5 mm ²
Flash frequency:	0.5 Hz or 1.5 Hz can be set externally
Life duration:	4 x 10 ⁶ flashes

ORDER SPECIFICATIONS:

FLASHING BEACON 828

Base/Bracket mounting					
Voltage	12 V DC	24 V DC	10-60 V AC/DC	115 V AC	230 V AC
Current consumpt.	500 mA	300 mA	500-120 mA	65 mA	150 mA
red	828 100 54	828 100 55	828 180 70	828 100 67	828 100 68
yellow	828 300 54	828 300 55	828 380 70	828 300 67	828 300 68
clear	-	828 400 55	828 480 70	-	828 400 68

Tube mounting				
Voltage	24 V DC	115 V AC	230 V AC	
red	828 140 55	828 140 67	828 140 68	
yellow	828 340 55	828 340 67	828 340 68	
clear	828 440 55	-	-	

FLASHING BEACON 828 WITH 2 FREQUENCIES

	Boden-/Winkelmontage	Rohrmontage
Voltage	24 V DC	24 V DC
Current consumption	500 mA	500 mA
red	828 120 55	828 160 55
yellow	828 320 55	828 360 55

ACCESSORIES:

Accessories see page 156.

TECHNICAL DIAGRAMS:

see page 316

Sizes of Flashing Beacons

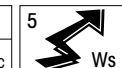
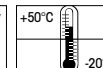
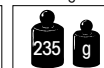
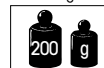


828 X00 XX
828 X40 XX
828 X20 XX
828 X60 XX

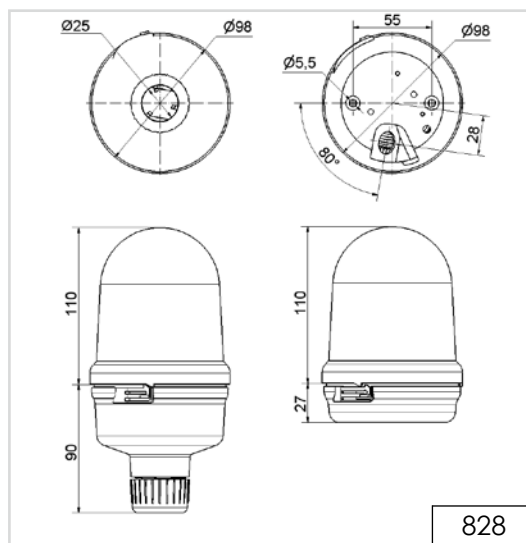
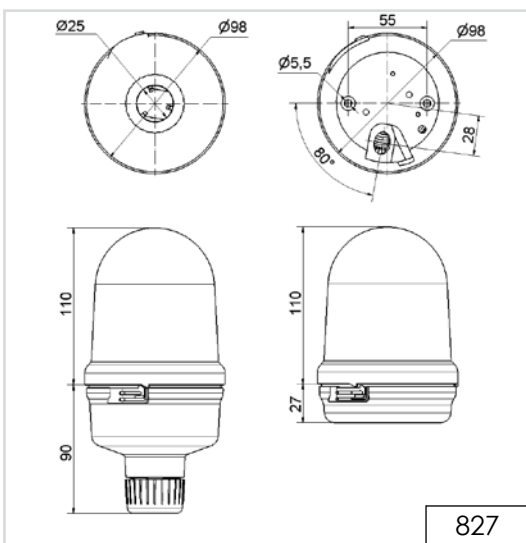
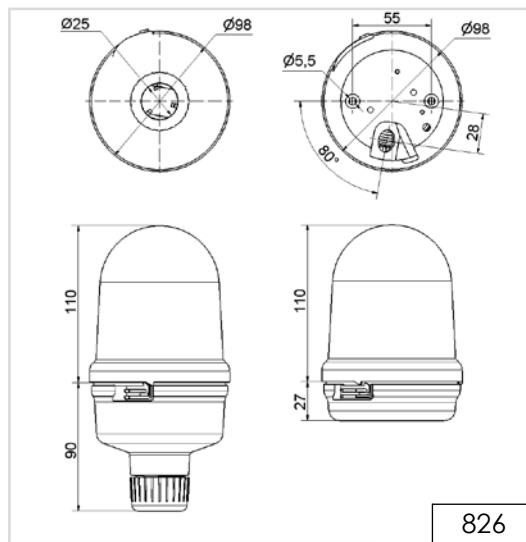
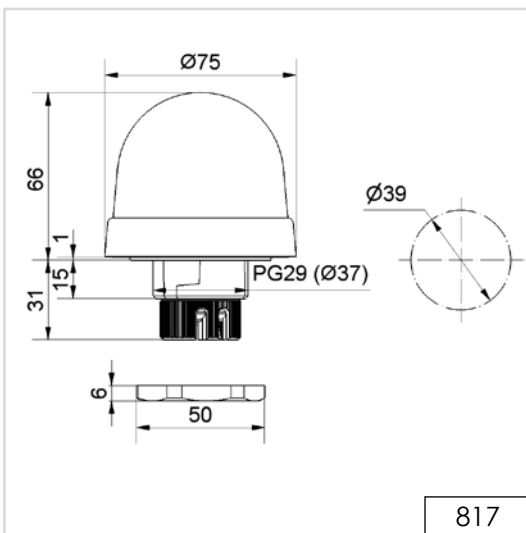
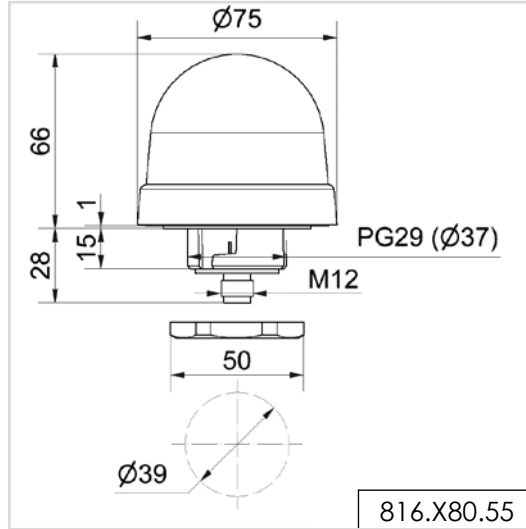
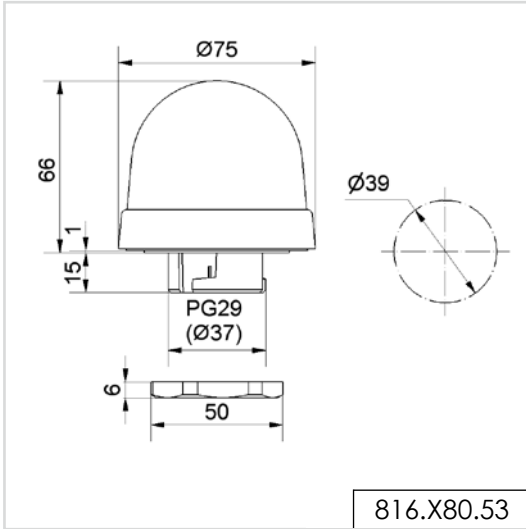
See note on page 347

Base/Bracket mounting

Tube mounting

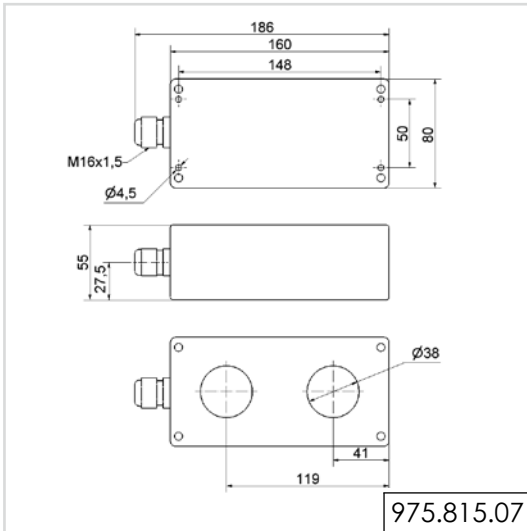


Technical Diagrams

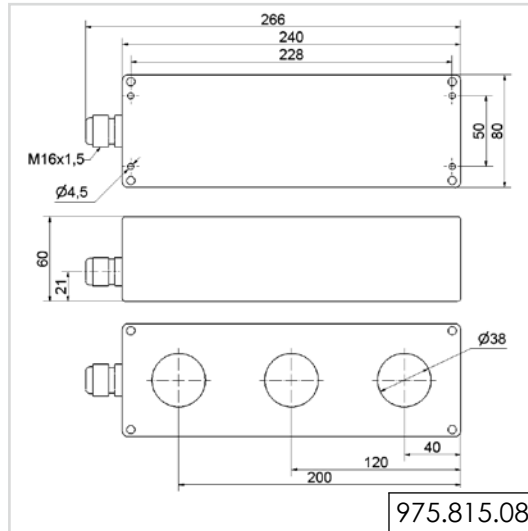


Technical Diagrams

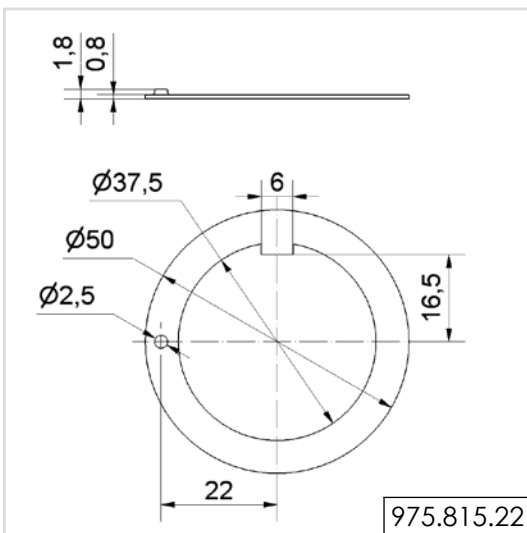
Technical Diagrams



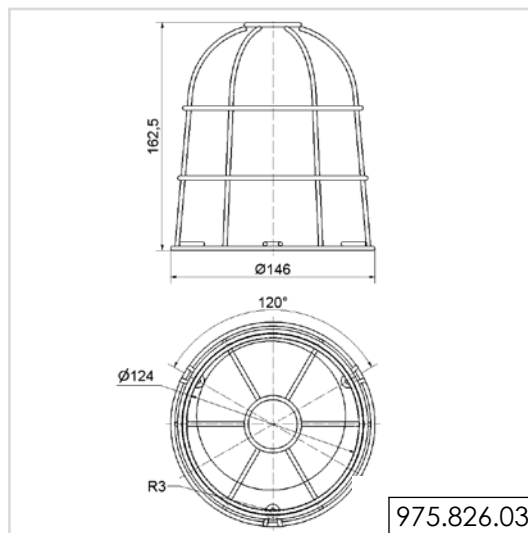
975.815.07



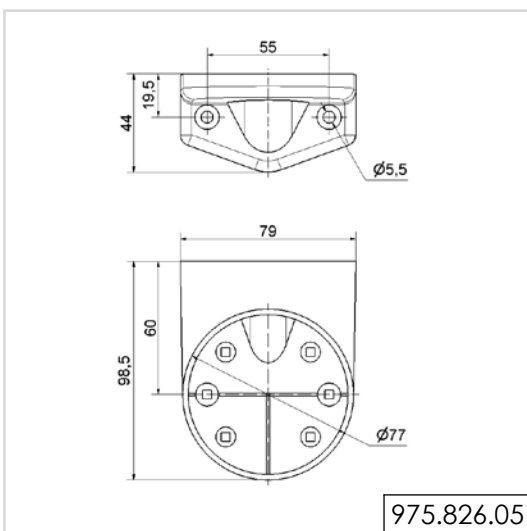
975.815.08



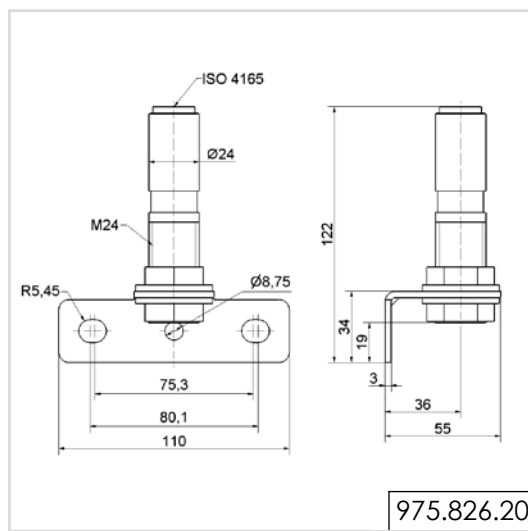
975.815.22



975.826.03



975.826.05



975.826.20

Technical Diagrams