

## NX8045GB

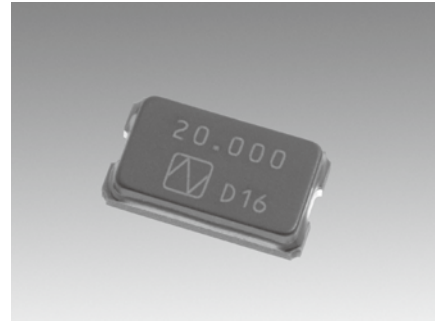
For OA / AV

### ■ Features

A small surface-mount type crystal unit.

- Compact and thin. (8.0×4.5×1.8mm)
- Supports low frequencies(from 4MHz).
- Ideal for OA/AV applications and Accessories for a car.
- Excellent environmental performance, including heat and shock resistance.
- Meets the requirements for re-flow profiling using lead-free solder.

RoHS Compliant  
Directive 2011/65/EU  
Directive (EU) 2015/863



### ■ Specifications

Item	Model	NX8045GB						
		Standard			Optional			
Nominal Frequency (MHz)		4 ≤ F ≤ 4.9	5 ≤ F ≤ 7.499	7.5 ≤ F ≤ 40	4 ≤ F ≤ 4.9	5 ≤ F ≤ 7.499	7.5 ≤ F ≤ 48	4 ≤ F ≤ 48
Overtone Order		Fundamental						Fundamental
Frequency Tolerance (25 ±3 °C)		±30 × 10 <sup>-6</sup>			±20 × 10 <sup>-6</sup>			±20 × 10 <sup>-6</sup>
Frequency versus Temperature Characteristics (with reference to +25 °C)		±50 × 10 <sup>-6</sup>			±30 × 10 <sup>-6</sup>			±30 × 10 <sup>-6</sup>
Operating Temperature Range (°C)		-40 to +85			-10 to +70			-40 to +85 *2
Storage Temperature Range (°C)		-40 to +125			-40 to +85			-40 to +125 *2
Equivalent Series Resistance		Refer to *1						Refer to *1
Level of Drive (µW)		50 (Max. 500)						50 (Max. 500)
Load Capacitance (pF)		8						6 to 32
Frequency Aging (+25 °C)		---						Max. ±10 × 10 <sup>-6</sup> / year *2
Specifications Number		STD-CJL-5	STD-CSF-5	STD-CSF-6	STD-CJL-2	STD-CSF-3	STD-CSF-4	Refer to *3

Please specify the model name, frequency, and specification number when you order products.

For further questions regarding specifications, please feel free to contact us.

\*2 If you have any other requests, NDK will study it.

\*3 Ordering information: Overtone Order Fundamental / 3rd Overtone, the Operating Temperature Range, Frequency versus Temperature Characteristics, Frequency Tolerance, and Load Capacitance.

Ex. Model, Frequency (24.000000MHz 6digits), S1: Fundamental or S3 : 3rd overtone

- Operating Temperature Range (-40 to +85°C) - Frequency versus Temperature Characteristics (±30 × 10<sup>-6</sup>)

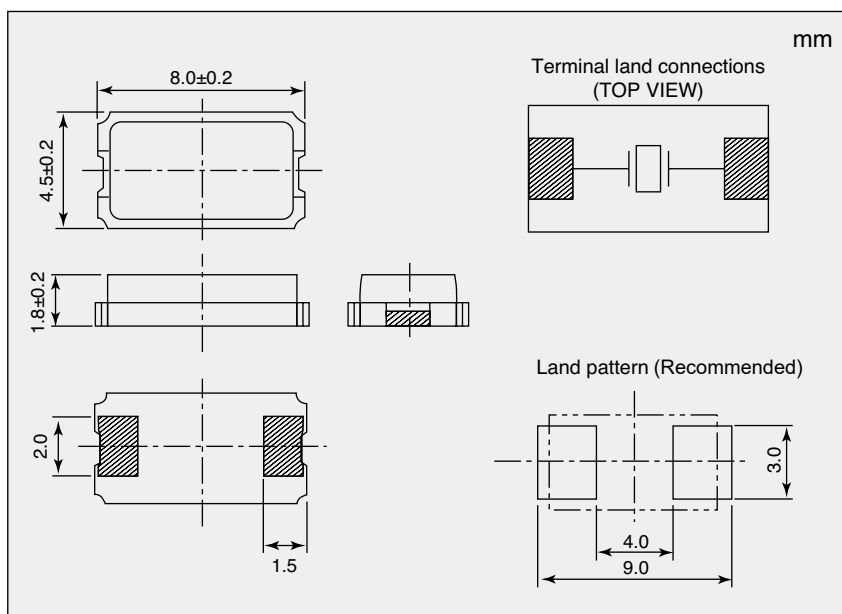
- Frequency Tolerance (±20 × 10<sup>-6</sup>) - Load Capacitance (10pF)

NX8045GB

24.000000MHz

S1-4085-30-20-10

### ■ Dimensions



\*1 Equivalent Series Resistance

Nominal Frequency (MHz)	Equivalent Series Resistance Max. (Ω)
4 ≤ F < 5	300
5 ≤ F < 8	250
8 ≤ F < 9.5	200
9.5 ≤ F < 10	120
10 ≤ F < 12	100
12 ≤ F < 13	80
13 ≤ F ≤ 40	50

If you have any other requests, NDK will study it.

# Mouser Electronics

Authorized Distributor

Click to View Pricing, Inventory, Delivery & Lifecycle Information:

[NDK:](#)

[NX8045GB-8.000000MHZ-LN-CF-001](#) [NX8045GB-40.000M-STD-CSJ-1](#) [NX8045GB-7.3728MHZ-STD-CSF-3](#)  
[NX8045GB-6MHZ-STD-CSF-3](#) [NX8045GB-8MHZ-STD-CSF-6](#) [NX8045GB-5MHZ-STD-CSF-3](#) [NX8045GB-7.5MHZ-](#)  
[STD-CSF-4](#) [NX8045GB-12M-STD-CSF-4](#) [NX8045GB-8MHZ-STD-CSF-4](#)