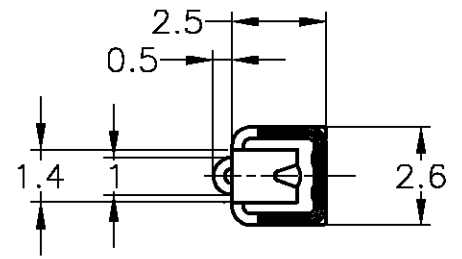
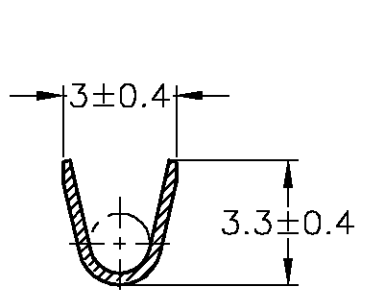
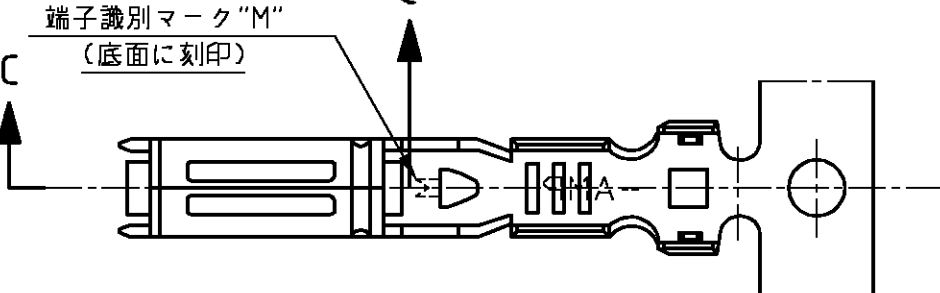


THIS DRAWING IS UNPUBLISHED. RELEASED FOR PUBLICATION
 © COPYRIGHT BY TYCO ELECTRONICS CORPORATION. ALL RIGHTS RESERVED.

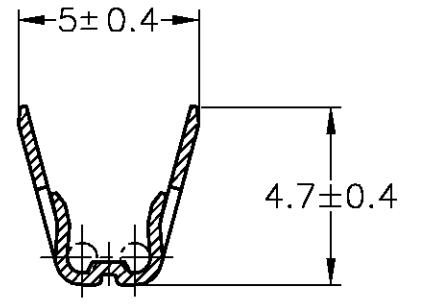
LOC	DIST	REVISIONS					
		P	LTR	DESCRIPTION	DATE	DWN	APVD
J	—	E4	REVISED	ECR-06-001254	12MAY06	MS	KB



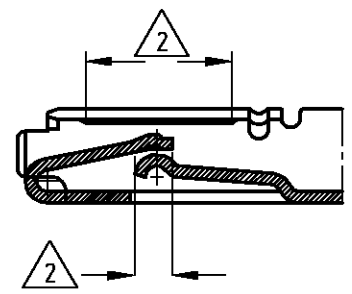
WIRE RANGE ID MARK
 ("M" SIZE MARK)
 (STAMPED ON BOTTOM)



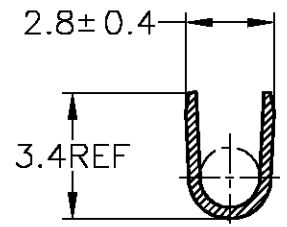
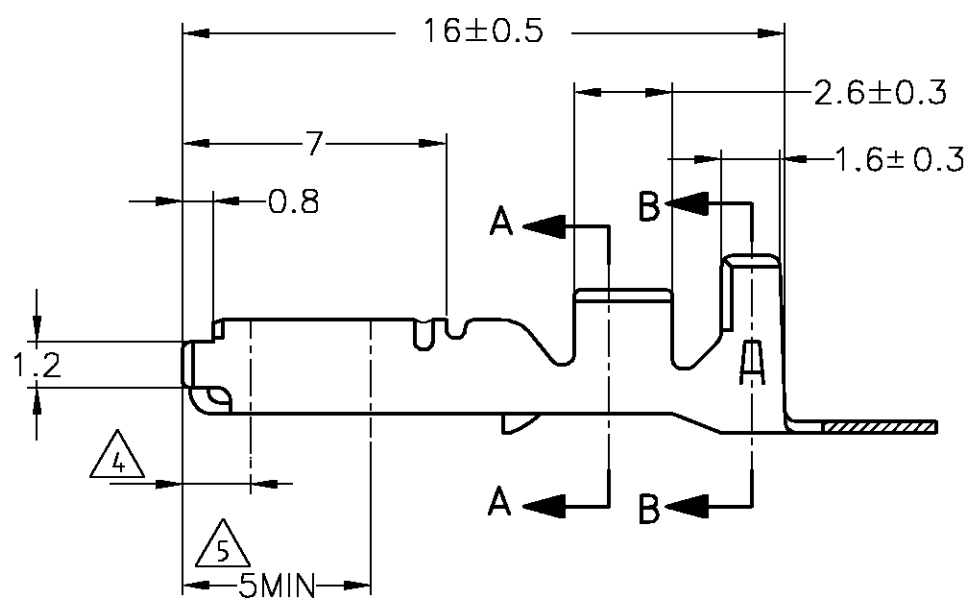
断面 A-A
 SECT A-A



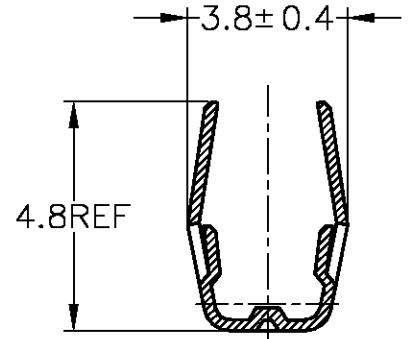
断面 B-B
 SECT B-B



断面 C-C
 SECT C-C



断面 A-A
 SECT A-A
 (175027のみ適用)
 (ONLY 175027)



断面 B-B
 SECT B-B
 (175027のみ適用)
 (ONLY 175027)

- 1. 製品規格; 108-5216, 108-5231, 108-5264, 108-3371
 - 2. 部分金めっき
 - 3. 取付適用規格; 114-5091
 - 4. 識別用金めっき (全周)
 - 5. 部分金めっき (両側のみ)
-
- 1. SPEC; 108-5216, 108-5231, 108-5264, 108-3371
 - 2. SELECTIVE GOLD PLATING
 - 3. APPLICATION SPEC; 114-5091
 - 4. GOLD PLATING FOR DISCERNMENT (ALL AROUND)
 - 5. SELECTIVE GOLD PLATING (ONLY BOTH SIDES OF THE BOX)

	部分金めっき SELECTIVE GOLD	黄銅 板厚0.3 BRASS ±0.3	1-173631-2
SEE DRAWING 173631-8			173631-8
175027-7	部分金めっき SELECTIVE GOLD	リン青銅 板厚0.3 PHOS BRO. ±0.3	173631-7
175027-6	錫めっき済み PRE-TINNED	リン青銅 板厚0.3 PHOS BRO. ±0.3	173631-6
	部分金めっき SELECTIVE GOLD	黄銅 板厚0.3 BRASS ±0.3	173631-2
175027-1	錫めっき済み PRE-TINNED	黄銅 板厚0.3 BRASS ±0.3	173631-1
	パフ端子型番 L/P NUMBER	仕上 FINISH	材料 MATERIAL
			型番 PART NUMBER

TOLERANCE UNLESS OTHERWISE SPECIFIED: 一般公差

0 < x ≤ 10	: ±0.2
10 < x ≤ 30	: ±0.25
30 < x ≤ 100	: ±0.3
ANGLE	: ±3°

THIS DRAWING IS A CONTROLLED DOCUMENT.

DIMENSIONS: 単位: 耗 mm	TOLERANCES UNLESS OTHERWISE SPECIFIED: 一般公差
0 PLC ±-	1 PLC ±-
2 PLC ±-	3 PLC ±-
4 PLC ±-	ANGLES ±-
MATERIAL 材料	FINISH 仕上
SEE TABLE	SEE TABLE

WIRE RANGE 0.5~1.25mm ² (AWG#20-#16)	INSULATION DIA. 2~2.6mmφ	DWN M.SUGAWARA 12MAY06	Tyco Electronics AMP K.K. Kawasaki, Japan	
THIS DRAWING IS A CONTROLLED DOCUMENT.		CHK T.SHINOHARA 12MAY06	NAME 名称	
DIMENSIONS: 単位: 耗 mm		APVD K.BETSUI 12MAY06	070 SERIES RECEPTACLE CONTACT	
TOLERANCES UNLESS OTHERWISE SPECIFIED: 一般公差		PRODUCT SPEC 製品規格	SIZE A3	CAGE CODE 00779
MATERIAL 材料		APPLICATION SPEC 取付適用規格	DRAWING NO 番号 C-173631	RESTRICTED TO
FINISH 仕上		WEIGHT -	SCALE 尺度 5:1	SHEET 1 OF 1
SEE TABLE		CUSTOMER DRAWING		REV E4