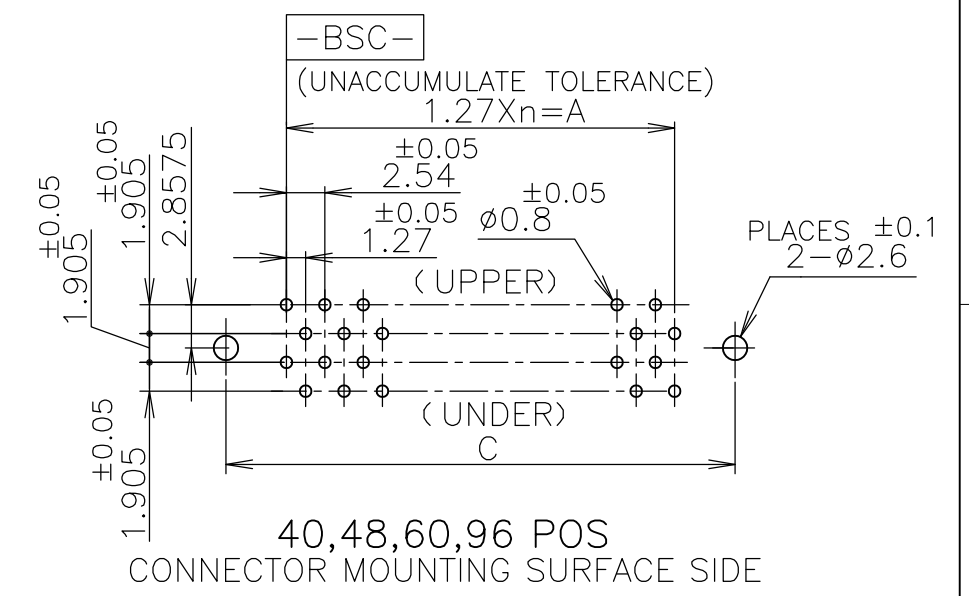
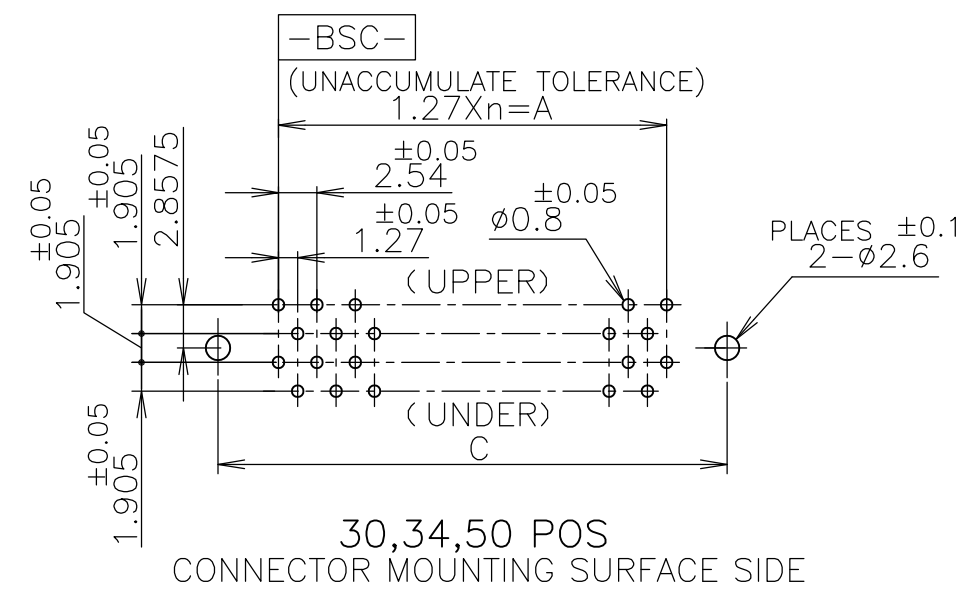
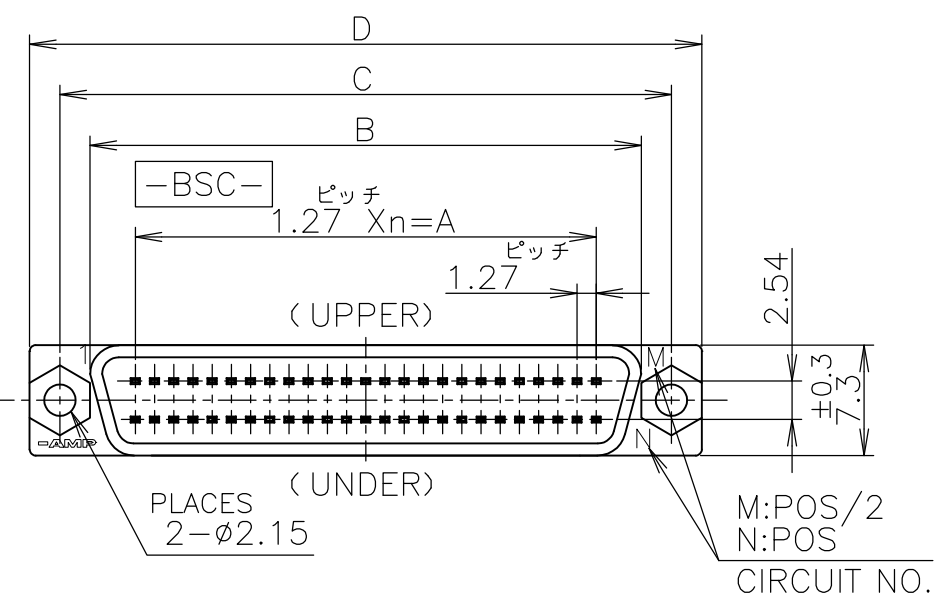
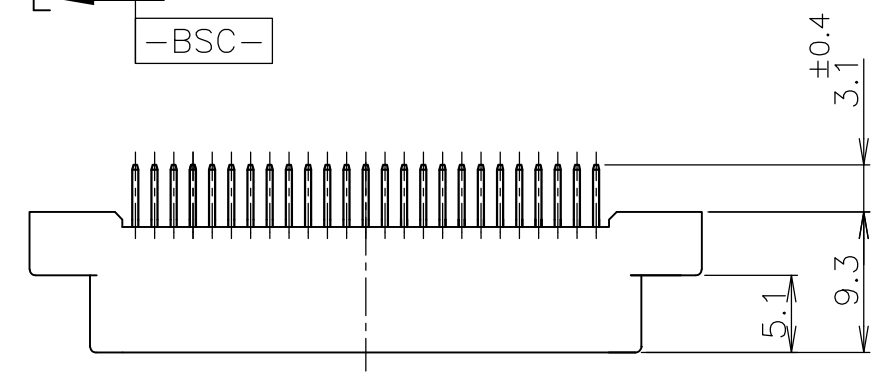
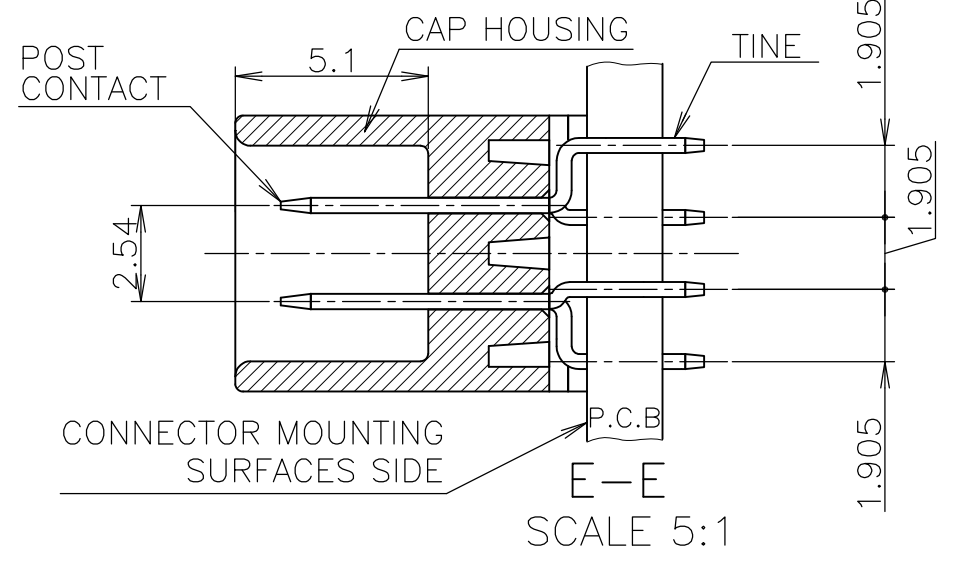
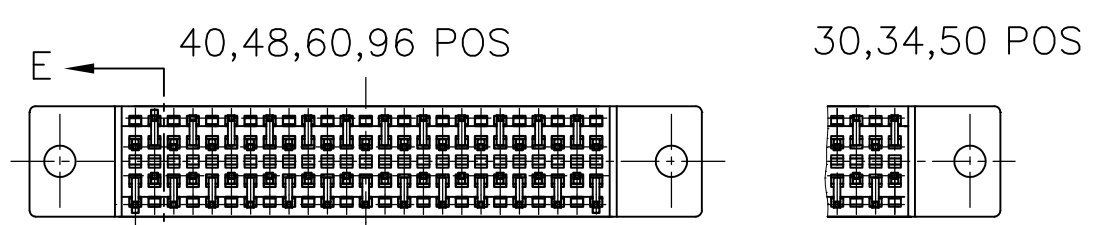


THIS DRAWING IS UNPUBLISHED. RELEASED FOR PUBLICATION OCT., 1984.
 © COPYRIGHT 1984 By - ALL RIGHTS RESERVED.

REVISIONS		DATE	DWN	APVD
P	LTR	DESCRIPTION		
B		REVISED PER ECO-17-002585	16JUN2017	AP DG



- 1 USE A P.C.B. WHOSE SURFACES ARE TREATED WITH SOLDER RESIST.
 - 2 SHOW P.C.B LAYOUT FROM THE CONNECTOR-MOUNTING SURFACE SIDE.
 - 3 NUMBER THE CONTACTS IN THE P.C.B OR CONNECTOR CONSECUTIVELY FROM THE **-BSC-** SIDE.
 - 4 WHEN SCREWING THE CONNECTOR TO THE P.C.B, USE M2 SCREW, NUT AND WASHERS.
- ⑤ HOUSING MATERIAL : THERMOPLASTICS (UL94-V0). COLOR:BLACK
 - ⑥ CONTACT MATERIAL : COPPER ALLOY
 - ⑦ FINISH : NICKEL 1.27μ MIN THK. OVERALL SELECTIVE GOLD 0.2μ MIN THK ON CONTACT AREA AND TIN 1μ MIN THK ON TINE AREA.
 - ⑧ OBSOLETE PARTS: OBSOLETE CIS STREAMLINING PER D.RENAUD/D.SINISI

OBSOLETE	-8	96	47	59.69	65.66	69.66	73.66
	-6	48	23	29.21	35.18	39.18	43.18
OBSOLETE	-5	34	16	20.32	26.29	30.29	34.29
	-4	60	29	36.83	42.80	46.80	50.80
OBSOLETE	-3	50	24	30.48	36.45	40.45	44.45
	-2	40	19	24.13	30.10	34.10	38.10
	5173280-1	30	14	17.78	23.75	27.75	31.75
	P/N	POS	n	A	B	C	D

GENERAL TOLERANCE	一般公差
10 ≥ : ±0.2	
30 ≥ > 10: ±0.25	
100 ≥ > 30: ±0.3	
ANGLES: ±3°	

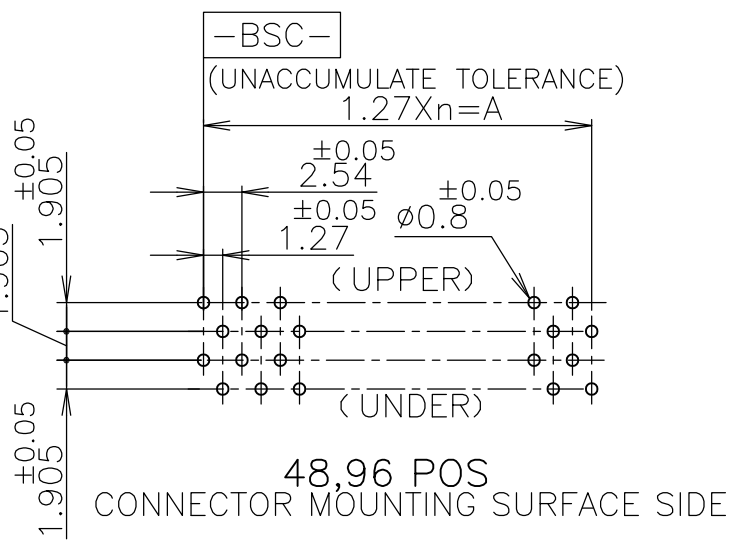
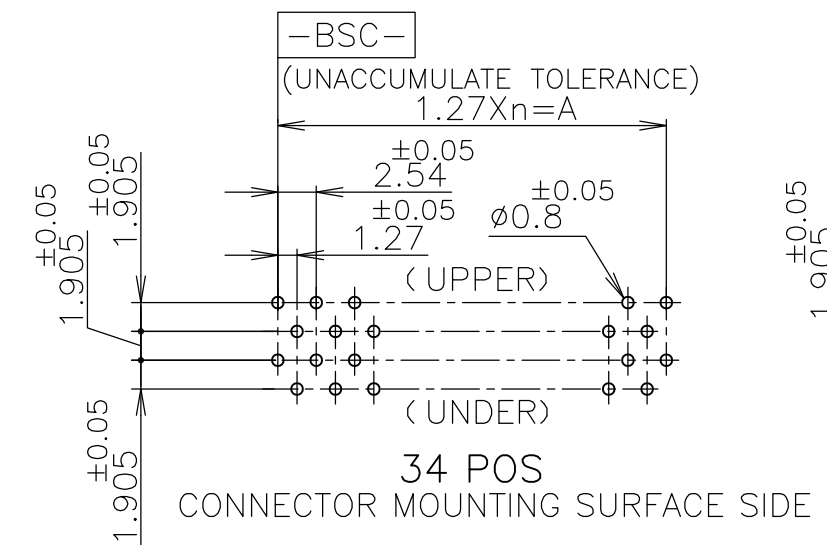
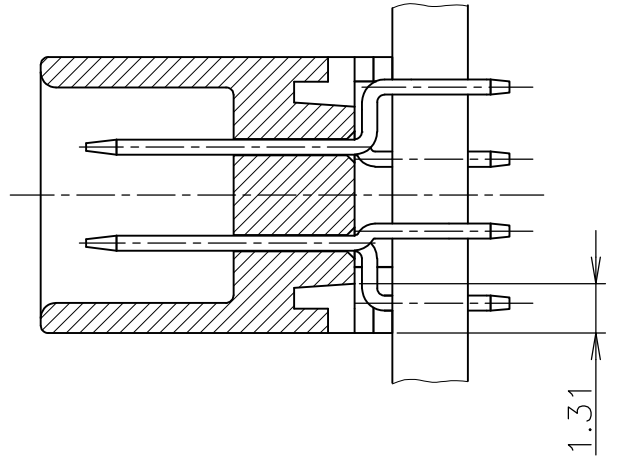
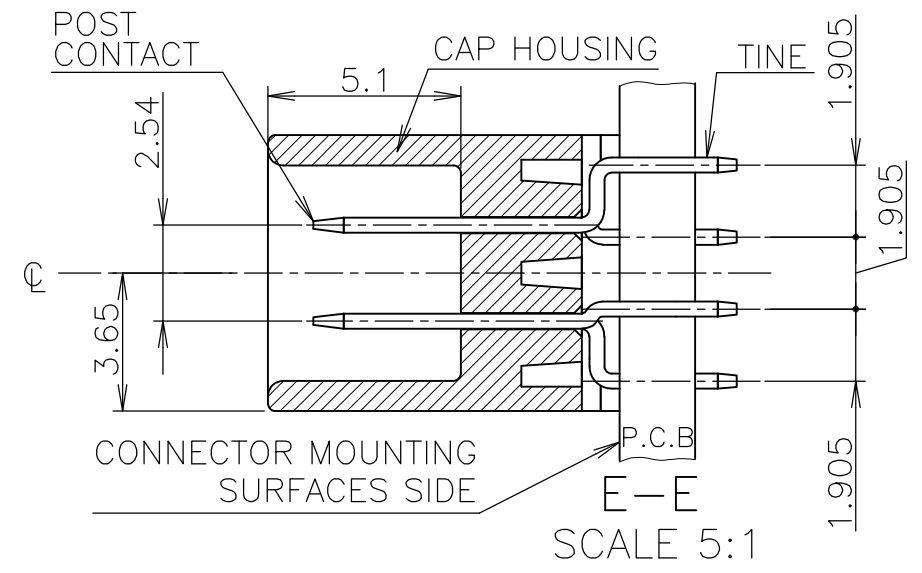
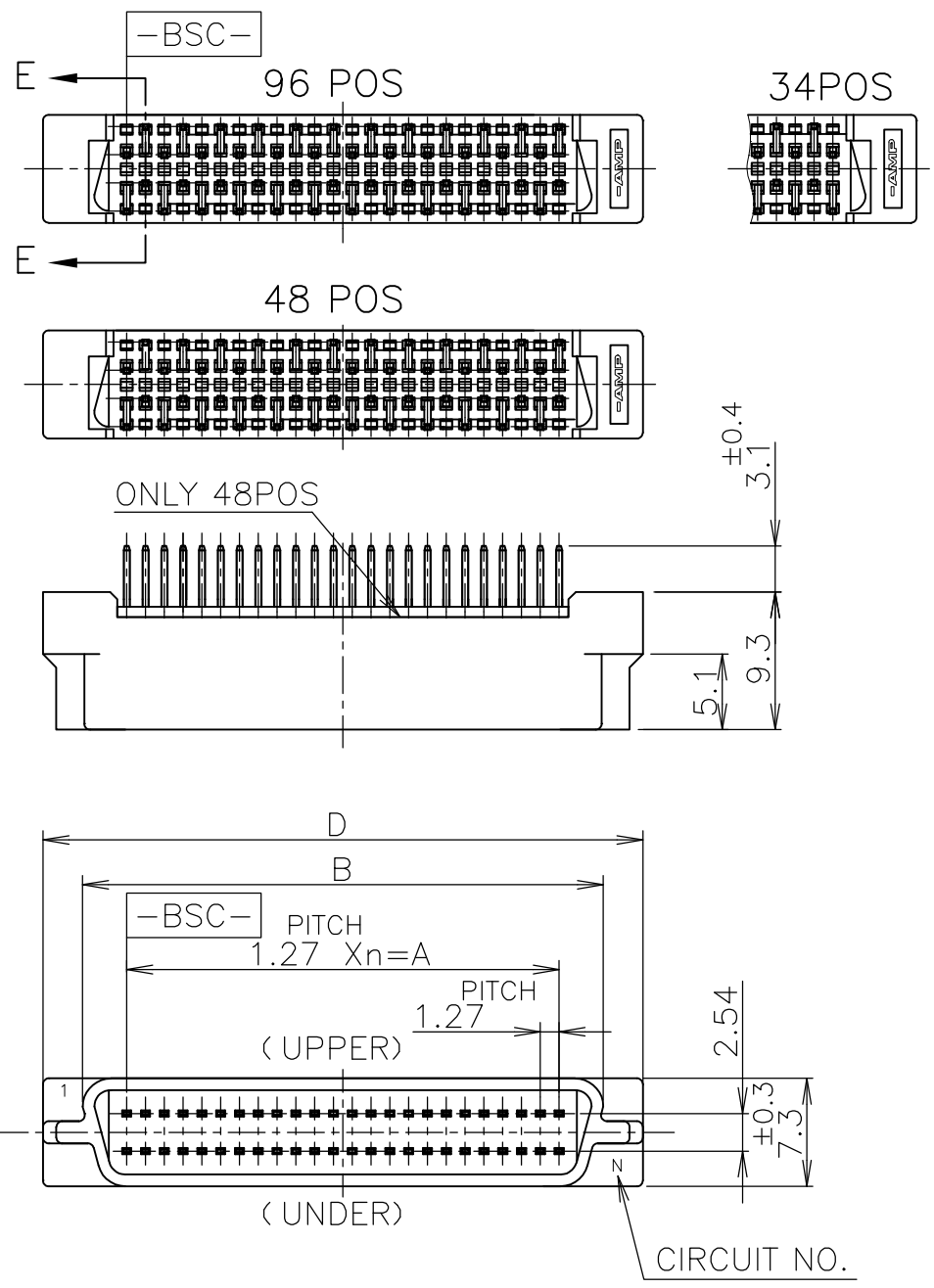
THIS DRAWING IS A CONTROLLED DOCUMENT.

DIMENSIONS: 単位: 耗 MM	TOLERANCES UNLESS OTHERWISE SPECIFIED: 一般公差
	0 PLC ± -
	1 PLC ± -
	2 PLC ± -
	3 PLC ± -
	4 PLC ± -
	ANGLES ± -
MATERIAL 材料	FINISH 仕上
参照 - ⑤ ⑥	参照 - ⑦

DWN T.KAWAMAE	01APR05	 TE Connectivity
CHK I.ENOMOTO	01APR05	
APVD I.ENOMOTO	01APR05	
PRODUCT SPEC 製品規格	108-60036	
APPLICATION SPEC 取付適用規格		NAME 名称
		CAP ASSY VERTICAL AMPLIMITE 050 SERIES I B-TO-B CONN.
WEIGHT 0	SIZE A3	CAGE CODE 00779
	DRAWING NO C-5173280	RESTRICTED TO
CUSTOMER DRAWING	SCALE 尺度 2:1	SHEET 1 OF 3
		REV B

THIS DRAWING IS UNPUBLISHED. RELEASED FOR PUBLICATION OCT, 1984.
 © COPYRIGHT 1984 By - ALL RIGHTS RESERVED.

REVISIONS 変更					
P	LTR	DESCRIPTION	DATE	DWN	APVD
-	-	SEE SHEET 1	-	-	-



- 1 USE A P.C.B. WHOSE SURFACES ARE TREATED WITH SOLDER RESIST.
- 2 SHOW P.C.B LAYOUT FROM THE CONNECTOR-MOUNTING SURFACE SIDE.
- 3 NUMBER THE CONTACTS IN THE P.C.B OR CONNECTOR CONSECUTIVELY FROM THE [-BSC-] SIDE.

- 4 HOUSING MATERIAL : THERMOPLASTICS (UL94-V0). COLOR:BLACK
- 5 CONTACT MATERIAL : COPPER ALLOY
- 6 FINISH : NICKEL 1.27μ MIN THK. OVERALL SELECTIVE GOLD 0.2μ MIN THK ON CONTACT AREA AND TIN 1μ MIN THK ON TINE AREA.

GENERAL TOLERANCE 一般公差	
10 ≥ :	±0.2
30 ≥ > 10:	±0.25
100 ≥ > 30:	±0.3
ANGLES: ±3°	

THIS DRAWING IS A CONTROLLED DOCUMENT.

DIMENSIONS: 単位: 耗 MM	TOLERANCES UNLESS OTHERWISE SPECIFIED: 一般公差
	0 PLC ± -
	1 PLC ± -
	2 PLC ± -
	3 PLC ± -
	4 PLC ± -
	ANGLES ± -
MATERIAL 材料	FINISH 仕上
SEE- 4 5	SEE- 6

DWN	-
CHK	-
APVD	-
PRODUCT SPEC 製品規格	-
APPLICATION SPEC 取付適用規格	-
WEIGHT	-

2-	-8	96	47	59.69	65.66	71.00
2-	-6	48	23	29.21	35.18	40.52
2-5173280-5		34	16	20.32	26.29	31.63
P/N	極数	n	A	B	D	

STE TE Connectivity

NAME 名称: CAP ASSY VERTICAL
 AMPLIMITE .050 SERIES I B-TO-B CONN.

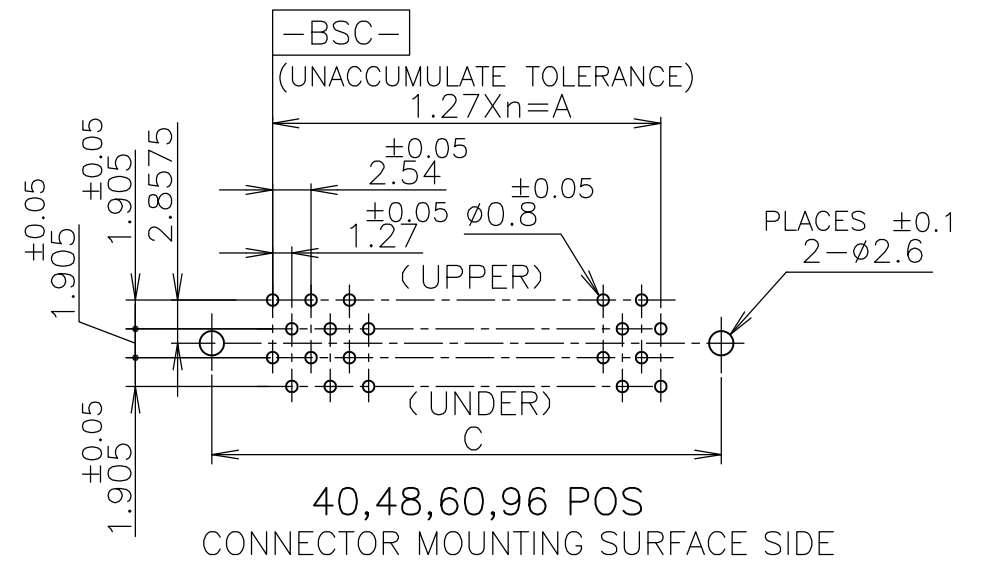
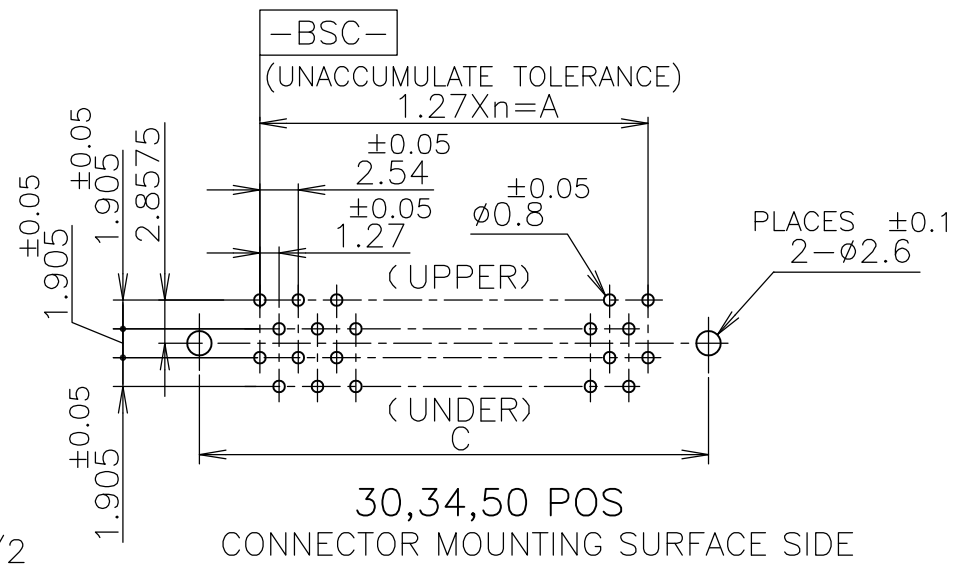
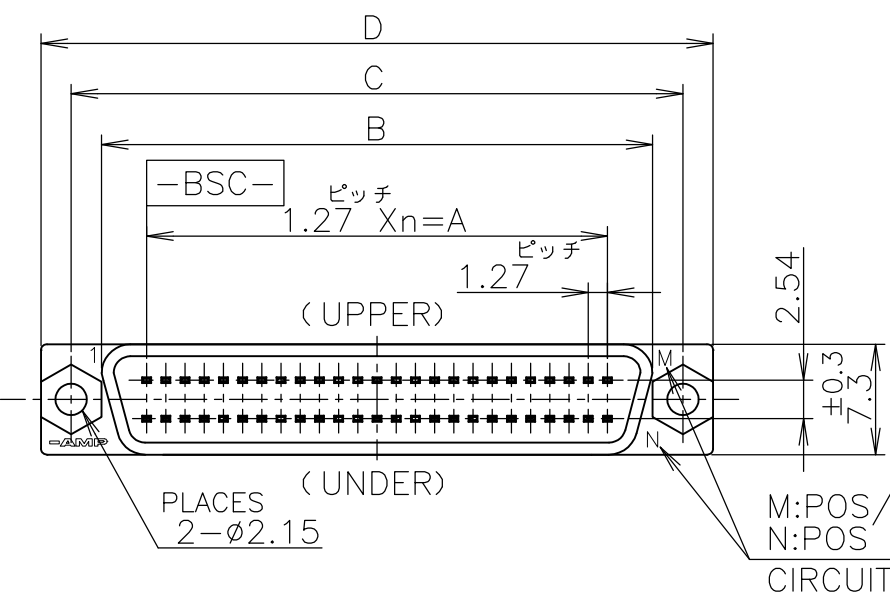
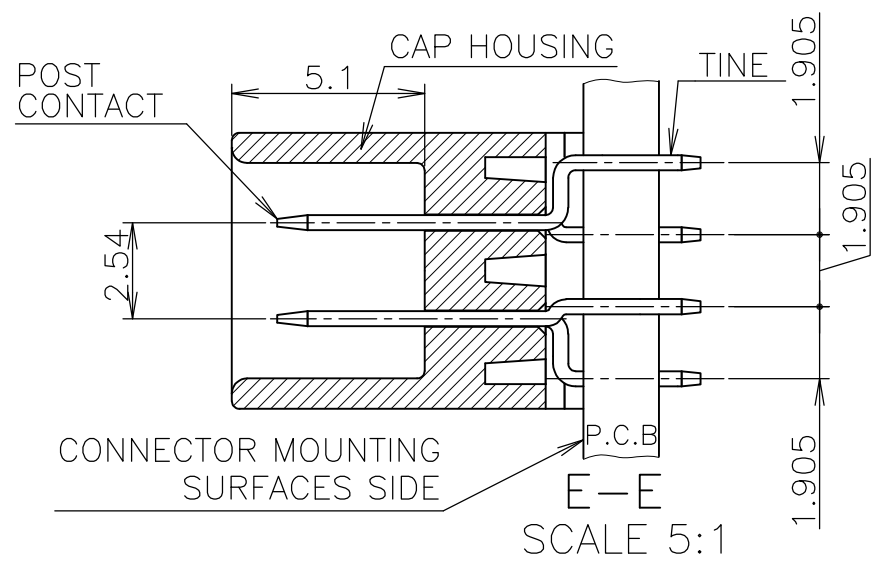
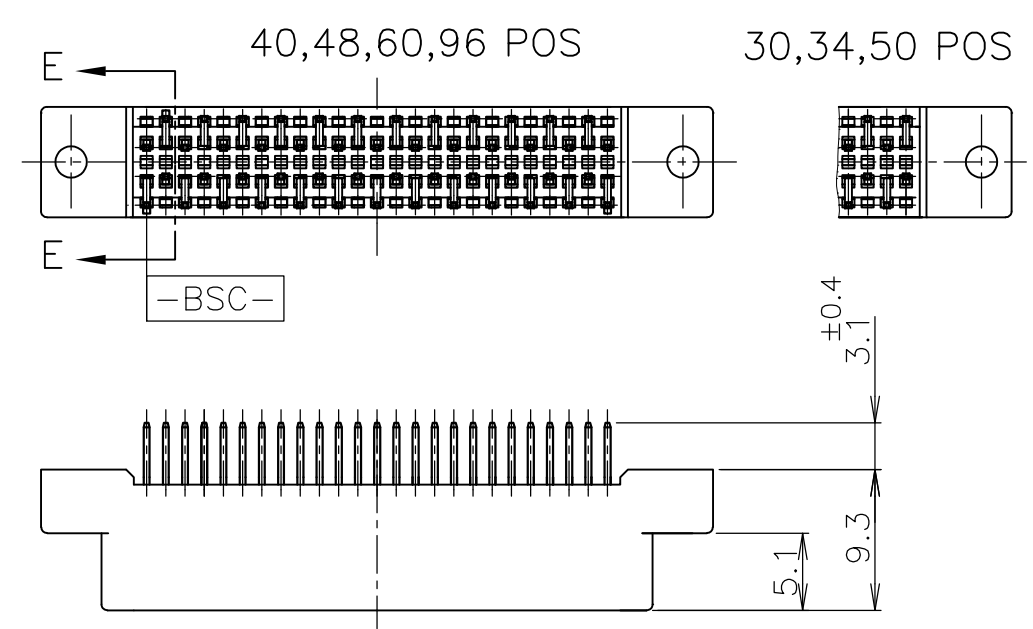
SIZE	CAGE CODE	DRAWING NO 番号	RESTRICTED TO
A3	00779	C-5173280	-

CUSTOMER DRAWING SCALE 尺度 2:1 SHEET 2 OF 3 REV B

THIS DRAWING IS UNPUBLISHED.
 © COPYRIGHT 1984 By -
 ALL RIGHTS RESERVED.

RELEASED FOR PUBLICATION
 OCT , 1984.

REVISIONS 変更					
P	LTR	DESCRIPTION	DATE	DWN	APVD
-	-	SEE SHEET 1	-	-	-



- USE A P.C.B. WHOSE SURFACES ARE TREATED WITH SOLDER RESIST.
- SHOW P.C.B LAYOUT FROM THE CONNECTOR-MOUNTING SURFACE SIDE.
- NUMBER THE CONTACTS IN THE P.C.B OR CONNECTOR CONSECUTIVELY FROM THE [-BSC-] SIDE.
- WHEN SCREWING THE CONNECTOR TO THE P.C.B, USE M2 SCREW, NUT AND WASHERS.
- HOUSING MATERIAL : THERMOPLASTICS (UL94-V0). COLOR:BLACK
- CONTACT MATERIAL : COPPER ALLOY
- FINISH : NICKEL 1.27µ MIN THK. OVERALL SELECTIVE GOLD 0.76µ MIN THK ON CONTACT AREA AND TIN 1µ MIN THK ON TINE AREA.

6-	-8	96	47	59.69	65.66	69.66	73.66
6-	-6	48	23	29.21	35.18	39.18	43.18
6-	-5	34	16	20.32	26.29	30.29	34.29
6-	-4	60	29	36.83	42.80	46.80	50.80
6-	-3	50	24	30.48	36.45	40.45	44.45
6-	-2	40	19	24.13	30.10	34.10	38.10
6-5173280-1		30	14	17.78	23.75	27.75	31.75
P/N		POS	n	A	B	C	D

GENERAL TOLERANCE
一般公差

10 ≥	±0.2
30 ≥ > 10	±0.25
100 ≥ > 30	±0.3
ANGLES: ±3°	

THIS DRAWING IS A CONTROLLED DOCUMENT.

DIMENSIONS: 単位: 耗 MM	TOLERANCES UNLESS OTHERWISE SPECIFIED: 一般公差
0 PLC	± -
1 PLC	± -
2 PLC	± -
3 PLC	± -
4 PLC	± -
ANGLES	± -

MATERIAL
材料 SEE 参照 - 5 6

FINISH
仕上 SEE 参照 - 7

STE TE Connectivity

CAP ASSY VERTICAL
AMPLIMITE .050 SERIES I B-TO-B CONN.

SIZE	CAGE CODE	DRAWING NO 番号	RESTRICTED TO
A3	00779	C-5173280	-

CUSTOMER DRAWING

SCALE 尺度 2:1

SHEET 3 OF 3

REV B

Mouser Electronics

Authorized Distributor

Click to View Pricing, Inventory, Delivery & Lifecycle Information:

[TE Connectivity:](#)

[5173280-3](#)