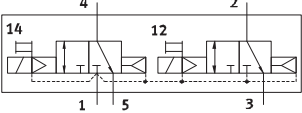
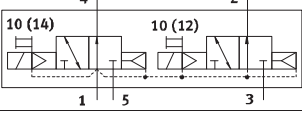
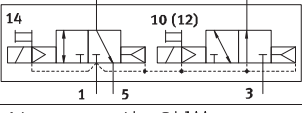
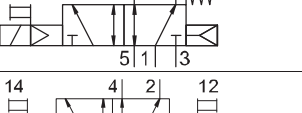
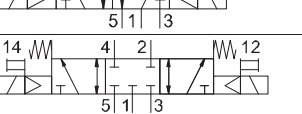
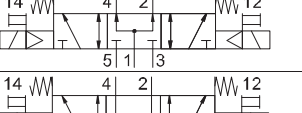
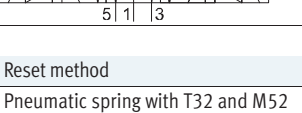
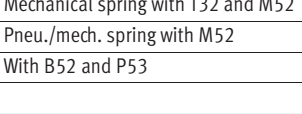


## Solenoid valves VUVG, in-line valves M5/M7

Order code

<b>VUVG</b>	-	10	-	-	-	-	-	-	-
Valve type									
In-line, individual valve		<b>L</b>							
In-line, manifold valve, including seal and screws		<b>S</b>							
Design principle									
Piston spool with sealing cartridge		-							
Piston spool with sealing ring		<b>K</b>							
Valve size									
10 mm		<b>10</b>							
Valve functions									
									<b>T32C</b>
									<b>T32U</b>
									<b>T32H</b>
									<b>M52</b>
									<b>B52</b>
									<b>P53C</b>
									<b>P53U</b>
									<b>P53E</b>
Reset method									
Pneumatic spring with T32 and M52									<b>A</b>
Mechanical spring with T32 and M52									<b>M</b>
Pneu./mech. spring with M52									<b>R</b>
With B52 and P53									-
Pilot air supply port									
Internal									-
External									<b>Z</b>
Manual override									
Non-detenting									<b>H</b>
Covered									<b>S</b>
Non-detenting, detenting									<b>T</b>
Detenting, without accessories									<b>Y</b>

									<b>L</b>	-	-	-	-	-	-	-	-	-	-
										Version									
										- Extended features									
										<b>S</b> Focused features									
										Connecting cables									
										<b>W1...4</b> Not sheathed									
										<b>C1...4</b> Sheathed									
										<b>WS1...4</b> Not sheathed									
										<b>S1...4</b> Sheathed									
										<b>N1...4</b> M8x1, 3-pin									
										<b>N5...8</b> M8x1, 4-pin									
										Display									
										<b>L</b> LED									
										Protective circuit									
										- Without holding current reduction (HCR)									
										<b>R</b> With holding current reduction (HCR)									
										Electrical connection box									
										<b>H2</b> Connection pattern H, horiz. plug connector									
										<b>H3</b> Connection pattern H, vert. plug connector									
										<b>S2</b> Connection pattern S, horiz. plug connector									
										<b>S3</b> Connection pattern S, vert. plug connector									
										<b>L1...4</b> With 2x flying leads L: 1 = 0.5 m, 2 = 1 m, 3 = 2.5 m, 4 = 5 m									
										<b>K6...9</b> Cable: K6 = 0.5 m, K7 = 1 m, K8 = 2.5 m, K9 = 5 m									
										<b>R1</b> Individual plug connector M8, 4-pin									
										<b>R8</b> Individual plug connector M8, 3-pin									
										<b>P3</b> Without electrical connection box									
										Operating voltage									
										<b>1</b> 24 V DC									
										<b>5</b> 12 V DC									
										<b>4</b> 5 V DC									
										Exhausting with VUVG-L									
										<b>QN</b> Push-in fitting									
										<b>U</b> Silencer									
										- <b>M5/M7 thread</b>									
										Pneumatic connection									
										<b>M5</b> M5 thread									
										<b>M7</b> M7 thread									
										<b>Q3</b> Push-in connector 3 mm/M5									
										<b>Q4</b> Push-in connector 4 mm/M5									
										<b>Q4H</b> Push-in connector 4 mm/M7									
										<b>Q6</b> Push-in connector 6 mm/M5									
										<b>Q6H</b> Push-in connector 6 mm/M7									
										<b>T18</b> Push-in connector 1/8"									
										<b>T532</b> Push-in connector 3/32"									
										<b>T316</b> Push-in connector 3/16"									
										<b>T316H</b> Push-in connector 3/16", M7									
										<b>T14</b> Push-in connector 1/4"									
										<b>T14H</b> Push-in connector 1/4", M7									