

Technical characteristics

Han 3 A Hoods/Housings thermoplastic

Material	Polycarbonate RAL 7032
Locking element	Polyamide RAL 7032
Hoods/Housings sealing	NBR
Temperature range	- 40 °C ... +125 °C
Flammability acc. to UL 94	V 0
Degree of protection acc. to DIN 40 050 for coupled connector	IP 65 ¹⁾

Han Standard Hoods/Housings

Material	GD-Al Si 8
Surface	powder-coated RAL 7037 (grey)
Locking element	Steel, zinc plated
Hoods/Housings sealing	NBR
Temperature range	- 40 °C ... +125 °C
Degree of protection acc. to DIN 40 050 for coupled connector	IP 65 IP 44 at Han 3 A ²⁾

Han M Hoods/Housings for harsh environmental requirements

Material	corrosion resistant GD-Al Si 8
Surface	RAL 6011 (green)
Locking element	V2A Steel
Hoods/Housings sealing	Viton
Temperature range	- 40 °C ... +125 °C
Degree of protection acc. to DIN 40 050 for coupled connector	IP 65

Han U Hoods/Housings for intrinsically safe plant (DIN EN 50 020)

Approvals	BVS, CERCHAR, SABS
Material	Die cast zinc alloy
Surface	RAL 5015 (blue)
Locking element	Steel, zinc plated
Hoods/Housings sealing	NBR
Temperature range	- 40 °C ... +125 °C
Degree of protection acc. to DIN 40 050 for coupled connector	IP 44 ²⁾

Han HP Hoods/Housings pressure tight

Material	corrosion resistant GD-Al Si 8
Surface	RAL 7037 (grey)
Locking element	Steel, zinc plated
Hoods/housings sealing	NBR
Temperature range	- 40 °C ... +125 °C
Degree of protection acc. to DIN 40 050 for coupled connector	IP 68

Han HPR Hoods/Housings pressure tight and highly EMI resistant

Material	corrosion resistant GD-Al Si 8
Surface	RAL 9005 (black)
Locking element	V2A Steel
Hoods/Housings sealing	NBR
Temperature range	- 40 °C ... +125 °C
Degree of protection acc. to DIN 40 050 for coupled connector	IP 68

Han EMC Hoods/Housings

Material	GD-Al Si 8
Surface	conductive finish
Locking element	V2A Steel or Steel, zinc plated
Hoods/Housings sealing	NBR
Temperature range	- 40 °C ... +125 °C
Degree of protection acc. to DIN 40 050 for coupled connector	IP 65 IP 44 at Han 3 A EMC ²⁾

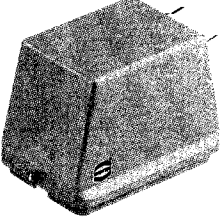
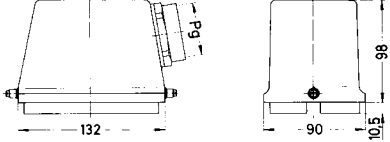
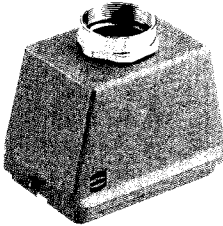
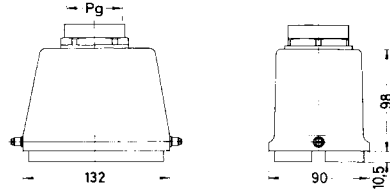
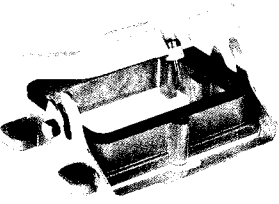
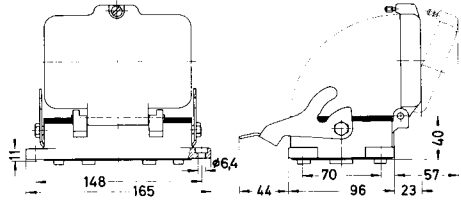
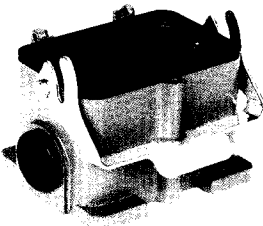
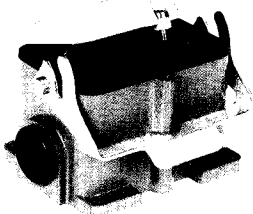
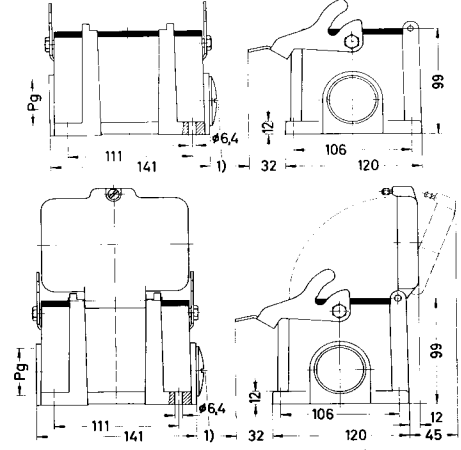
¹⁾ without washer

²⁾ IP 65 is achieved with sealing screw 09 20 000 9918

Hoods/Housings with 1 lever on the housing for 2 inserts

Size 48 B



Identification	Part No.	Pg	Drawing	Dimensions in mm
Hoods side-entry 	09 30 048 0540	29		
	09 30 048 0541	36		
	09 30 048 0542	42		
Hoods top-entry 	09 30 048 0440	29		
	09 30 048 0441	36		
	09 30 048 0442	42		
Housings bulkhaed mounting 	with thermo-plastic cover 09 30 048 0301	—		
	with metal cover 09 30 048 0317	—		
Housings surface mounting 2 side-entries  	09 30 048 0290	29		
	09 30 048 0291	36		
	with thermo-plastic cover 09 30 048 0295	29		
	09 30 048 0296	36		
	with metal cover 09 30 048 2295	29		
	09 30 048 2296	36		

¹⁾ Blind way

Stock items in bold type