
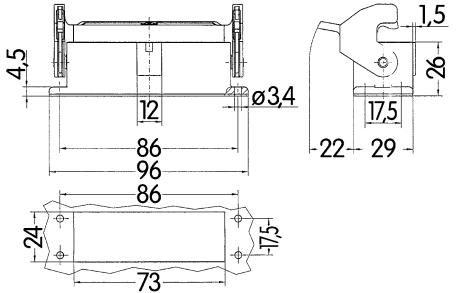

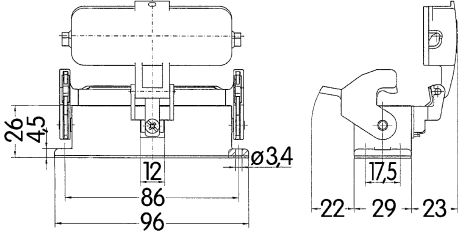

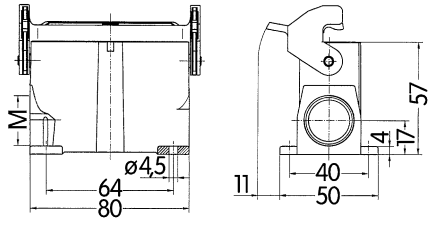

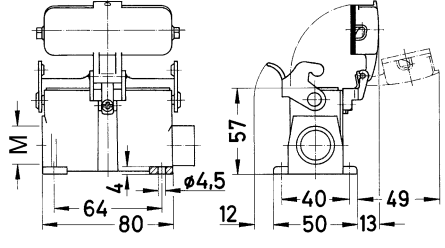



Identification	Cable entry	Part number		Drawing (dimensions in mm)
		Low construction	High construction	
Han A®, Bulkhead mounted housings, Han-Easy Lock® 		09 20 016 0301		 <p>Panel cut out</p>
Han A®, Bulkhead mounted housings, With thermo-plastic cover, Han-Easy Lock® 		09 20 016 0321		
Han A®, Surface mounted housing, Side entry, Han-Easy Lock® 	1x M25 2x M20 2x M25	19 20 016 0251 19 20 016 0290 19 20 016 0291		
Han A®, Surface mounted housing, With thermo-plastic cover, Side entry, Han-Easy Lock® 	2x M20	19 20 016 0295		
Han A®, Protection cover for hoods, Metal, With fixing cord, Han-Easy Lock® 		09 20 016 5423	09 20 016 5423	