

# Customer Information Sheet

DRAWING No.: M80-867XXXX

IF IN DOUBT - ASK

©

NOT TO SCALE

THIRD ANGLE PROJECTION

ALL DIMENSIONS IN mm

**SPECIFICATIONS:**

**MATERIAL:**  
 MOULDING = GLASS-FILLED POLYESTER,  
 UL94V-0, BLACK  
 CONTACTS = PHOSPHOR BRONZE  
 LATCHES = BERYLLIUM COPPER

**FINISH:**  
 CONTACTS:  
 05 = 0.75µm GOLD  
 22 = 0.75µm GOLD ON CONTACT AREA,  
 3.0µm 90/10 TIN/LEAD ON TAILS

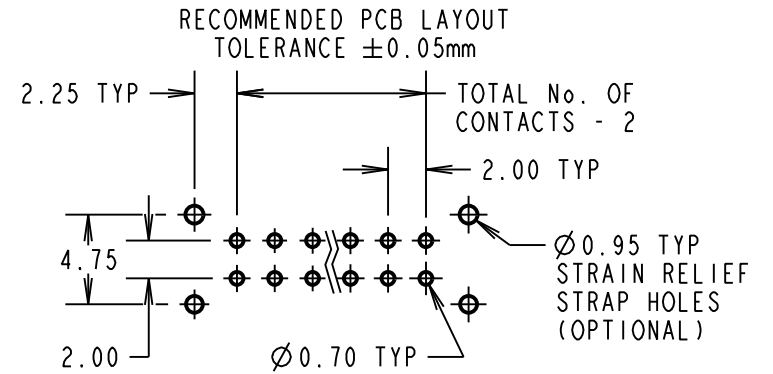
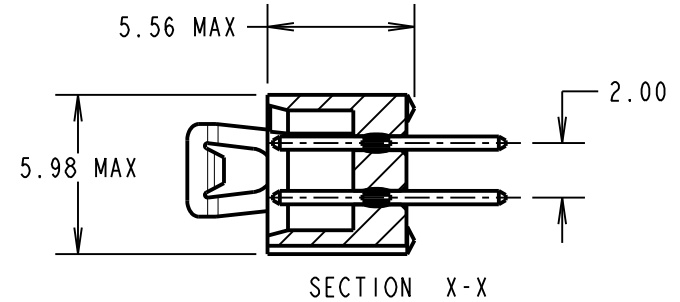
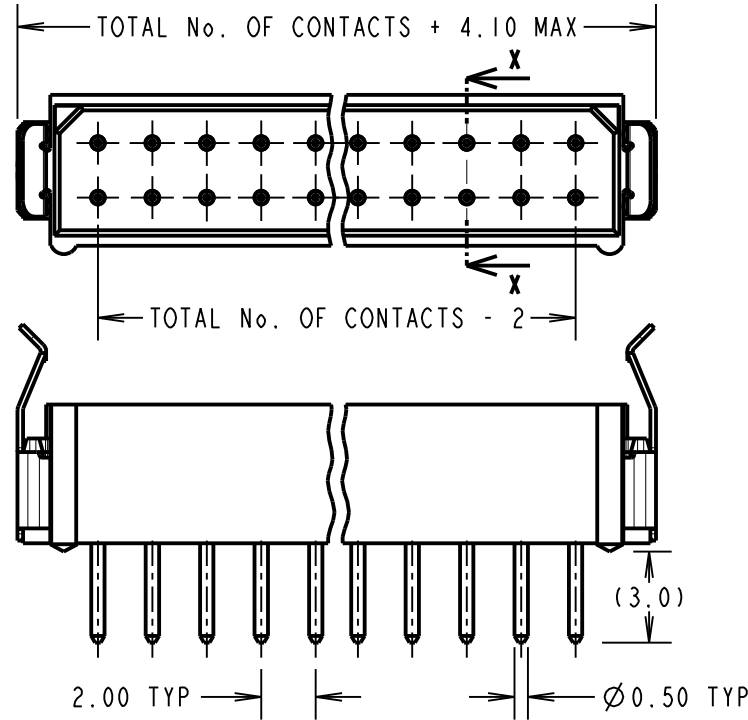
LATCH = 1.25µm NICKEL

**ELECTRICAL:**  
 CURRENT RATING (25°C) = 3.0A MAX.  
 CURRENT RATING (85°C) = 2.2A MAX.  
 WORKING VOLTAGE = 800V AC/DC  
 VOLTAGE PROOF = 1200V AC/DC

**CONTACT RESISTANCE:**  
 INITIAL = 20mΩ MAX.  
 AFTER CONDITIONING = 25mΩ MAX.  
**INSULATION RESISTANCE:**  
 INITIAL = 1000MΩ MIN.  
 AFTER CONDITIONING = 100MΩ MIN.

**MECHANICAL:**  
 DURABILITY = 500 OPERATIONS  
**ENVIRONMENTAL:**  
 TEMPERATURE RANGE = -55°C TO +125°C

**PACKING:**  
 TUBE  
 FOR COMPLETE SPECIFICATION, SEE  
 COMPONENT SPEC C005XX (LATEST ISSUE)



- NOTES:**
- 2-OFF STRAIN RELIEF STRAPS M80-0030006 MAY BE USED WITH THIS CONNECTOR.
  - FOR RoHS COMPLIANT EQUIVALENT PRODUCT USE M80-853XXXX CONNECTORS.

ORDER CODE:  
**M80-867XXXX**

TOTAL No. OF CONTACTS: \_\_\_\_\_  
 04, 06, 08, 10, 12, 14,  
 16, 18, 20, 26, 34, 44

FINISH: \_\_\_\_\_  
 05 = GOLD  
 22 = SELECTIVE GOLD

BRITISH STANDARD ORDER CODE:  
**B5743-2XX-M-T-X**

TOTAL No. OF CONTACTS: \_\_\_\_\_  
 04, 06, 08, 10, 12, 14, 16,  
 18, 20, 26, 34, 44

FINISH: \_\_\_\_\_  
 1 = SELECTIVE GOLD  
 3 = GOLD

MGP	18	01.12.21	31135
NAME	ISS.	DATE	CN/CO
APPROVED:		MGP	
CHECKED:		RA	
DRAWN:		J. CLAY	
CUSTOMER REF.:			
ASSEMBLY DRG:			

**HARWIN**

www.harwin.com  
 technical@harwin.com

THIS DRAWING AND ANY INFORMATION OR DESCRIPTIVE MATTER SET OUT HEREON ARE CONFIDENTIAL AND COPYRIGHT PROPERTY OF THE HARWIN GROUP AND MUST NOT BE DISCLOSED, LOANED, COPIED OR USED FOR MANUFACTURING, TENDERING OR FOR ANY OTHER PURPOSE WITHOUT THEIR WRITTEN PERMISSION.

**TOLERANCES**  
 X. = ±1mm  
 X.X = ±0.50mm  
 X.XX = ±0.20mm  
 X.XXX = ±0.01mm  
 ANGLES = ±5°  
 UNLESS STATED

**MATERIAL:**  
 SEE ABOVE

**FINISH:**  
 SEE ABOVE

**S/AREA:** mm<sup>2</sup>

**TITLE:**  
 DATAMATE DIL  
 VERTICAL MALE PC TAIL  
 ASSEMBLY - LATCHED

**DRAWING NUMBER:**  
**M80-867XXXX**

# Mouser Electronics

Authorized Distributor

Click to View Pricing, Inventory, Delivery & Lifecycle Information:

## Harwin:

[M80-8674422](#) [M80-8670405](#) [M80-8672622](#) [M80-8671222](#) [M80-8672022](#) [B5743-218-M-T-1](#) [B5743-208-M-T-1](#)  
[M80-8671605](#) [B5743-214-M-T-1](#) [B5743-210-M-T-1](#) [B5743-216-M-T-1](#) [B5743-212-M-T-1](#) [B5743-234-M-T-1](#) [B5743-206-M-T-1](#) [B5743-204-M-T-1](#) [B5743-226-M-T-1](#) [B5743-220-M-T-1](#) [M80-8670605](#) [M80-8670805](#) [M80-8672005](#) [M80-8673405](#) [M80-8673422](#) [M80-8671022](#) [M80-8670622](#) [M80-8670822](#) [M80-8670422](#) [M80-8671822](#) [M80-8671422](#)  
[M80-8671205](#) [M80-8671622](#) [B5743-220-M-T-3](#) [M80-8672605](#) [M80-8671405](#) [M80-8671005](#) [B5743-218-M-T-3](#) [B5743-234-M-T-3](#) [B5743-204-M-T-3](#) [M80-8671805](#) [B5743-206-M-T-3](#) [B5743-212-M-T-3](#) [B5743-216-M-T-3](#) [B5743-226-M-T-3](#) [B5743-210-M-T-3](#) [B5743-214-M-T-3](#) [B5743-208-M-T-3](#)