

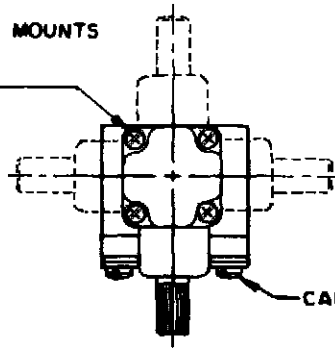
MICRO SWITCH
a Honeywell Division

SWITCH-ENCLOSED

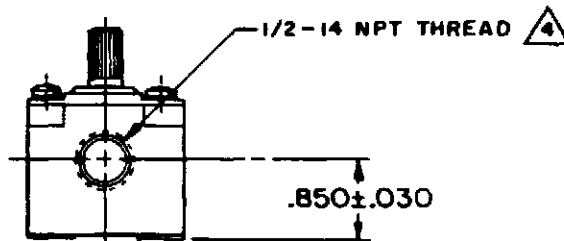
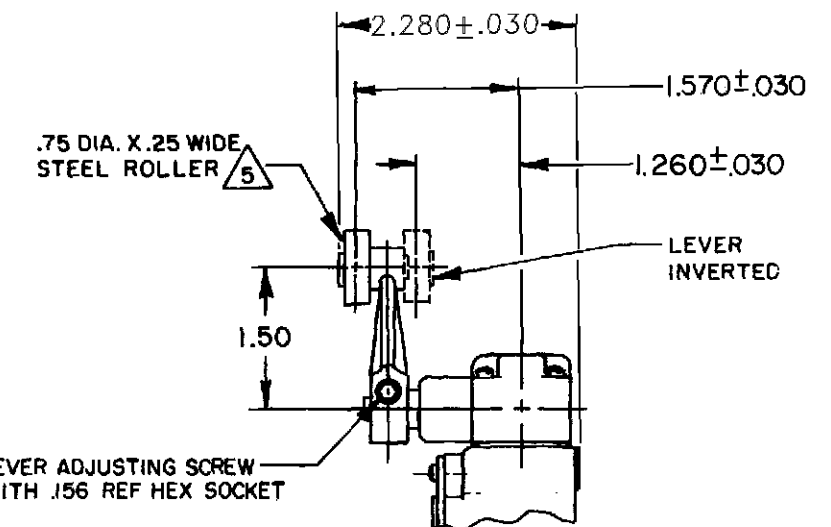
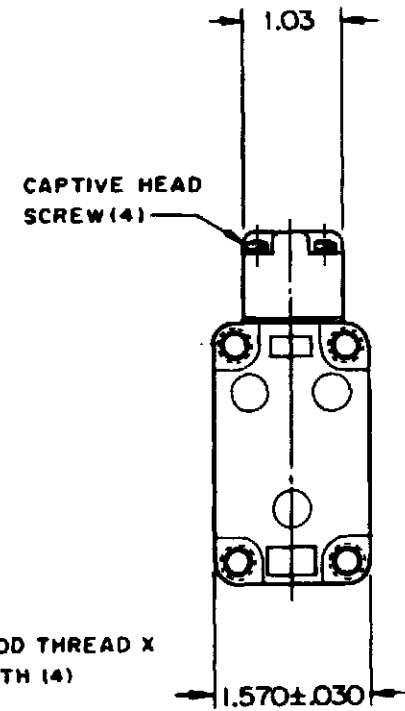
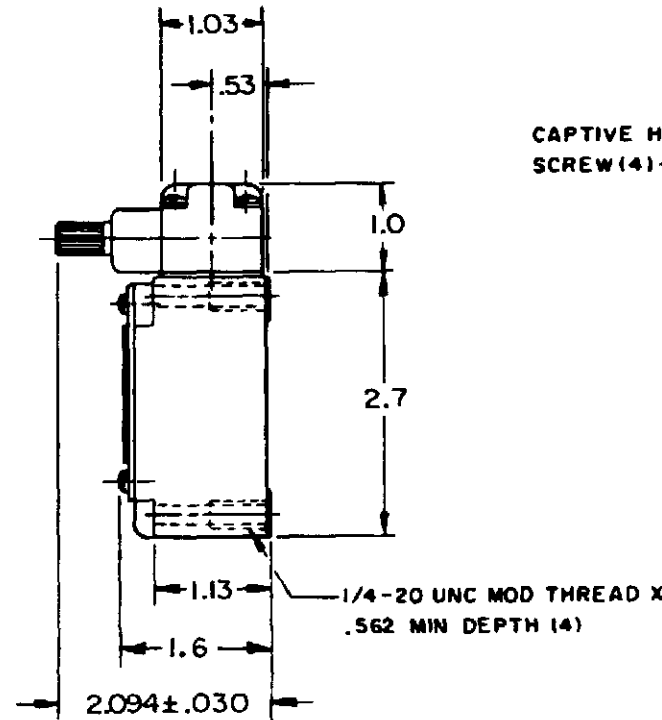
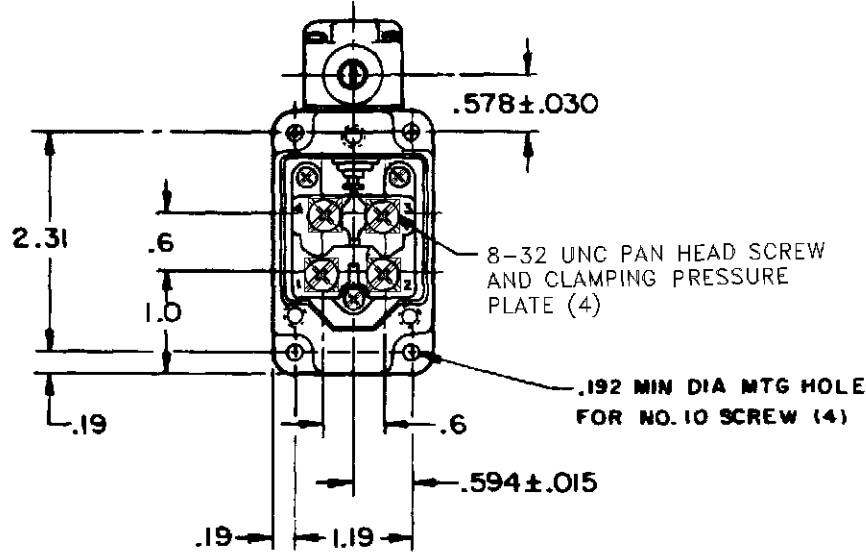
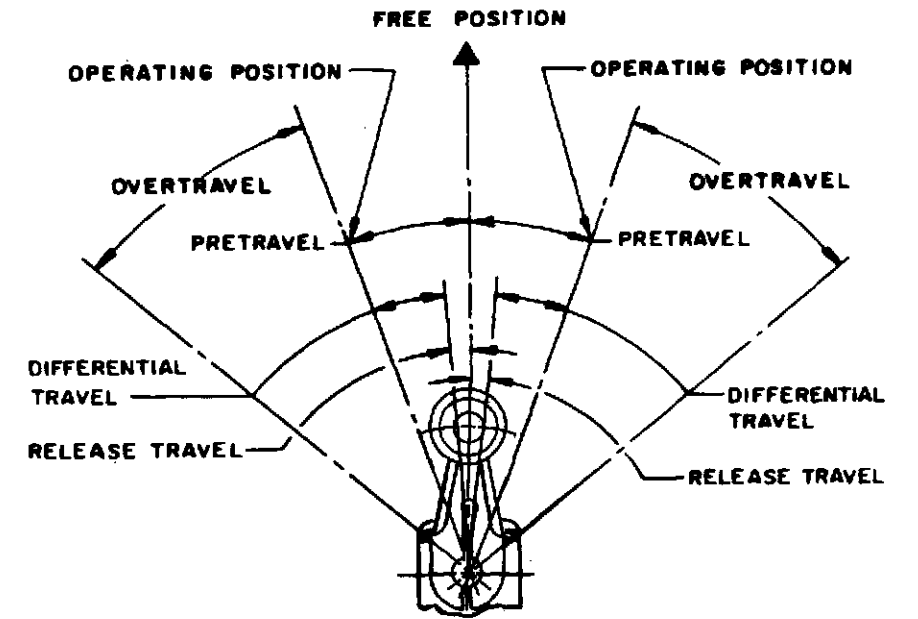
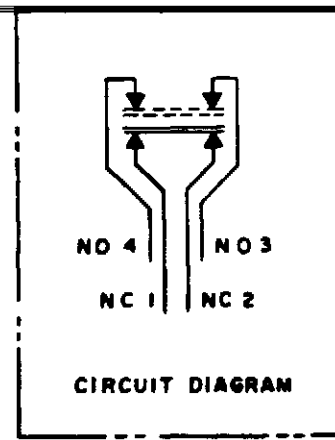
CATALOG LISTING
1LS1-L-SIG

FED. MFG. CODE 91929

OPERATING HEAD MOUNTS
IN ANY OF FOUR
POSITIONS

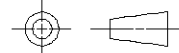


CAPTIVE COVER SCREW (3)



THIS DRAWING COVERS A PROPRIETARY ITEM AND IS THE PROPERTY OF MICRO SWITCH, A DIVISION OF HONEYWELL. THIS DRAWING IS NOT TO BE COPIED OR USED WITHOUT THE APPROVAL OF MICRO SWITCH

THIRD ANGLE PROJECTION



CHARACTERISTICS

OPERATING TORQUE — 4 1/2 IN LB MAX
 FULL OVERTRAVEL TORQUE — 6 IN LB MAX
 RELEASE TORQUE — — — 3/4 IN LB MIN
 PRETRAVEL — — — — — 20° MAX
 DIFFERENTIAL TRAVEL — — — 12° MAX
 OVERTRAVEL — — — — — 30° MIN
 RELEASE TRAVEL — — — — — 5° MIN
 SWITCH-BASIC REPLACEMENT — — — 2MNI-L

ELECTRICAL DATA

CONTACT ARRANGEMENT
 (SEE CIRCUIT DIAGRAM)

L126 10A 125, 250 OR 480 VAC
 1/3HP 125 VAC, 3/4HP 250 VAC
 0.8A 125 VDC, 0.4A 250 VDC

SCALE 1/2 TO 1

DO NOT SCALE PRINT

UNLESS OTHERWISE SPECIFIED TOLERANCES ARE

ONE PLACE (.0) ±.030
 TWO PLACE (.00) ±.015
 THREE PLACE (.000) ±.005
 ANGLES ±

WEIGHT



NOTES

- SWITCH IS ASSEMBLED FOR ACTUATION IN BOTH DIRECTIONS BUT MAY BE ADJUSTED TO ACTUATE IN EITHER THE CLOCKWISE DIRECTION ONLY OR THE COUNTERCLOCKWISE DIRECTION ONLY
- TO CONVERT SWITCH FOR ACTUATION IN EITHER THE CLOCKWISE OR COUNTERCLOCKWISE DIRECTION ONLY, REMOVE ACTUATOR HEAD AND ROTATE THE NOTCHED PLUNGER 90° TO THE RIGHT FOR CLOCKWISE ACTUATION OR 90° TO THE LEFT FOR COUNTERCLOCKWISE ACTUATION

- (4) SEAL TO BE FURNISHED BY USER
- (5) ROLLER LEVER MAY BE LOCKED IN ANY POSITION THRU 360°
- (6) LEVER FURNISHED UNASSEMBLED IN UNIT PACKING BOX

CATALOG LISTING 1LS1-L-SIG
 PAGE 1 OF 1
 REPLACES RELEASE NO. PR-19752
 CHECK
 REVISIONS
 A CO-76997 GJW 22 MAR 95
 B CO-95463-B DLT 3 SEP 99
 C REINST PR-24387 GJW 29 FEB 00
 CHECK
 5 MAY 95
 JAF
 CHECK
 22 MAR 95
 GJW
 DRAWN
 ORMTEK