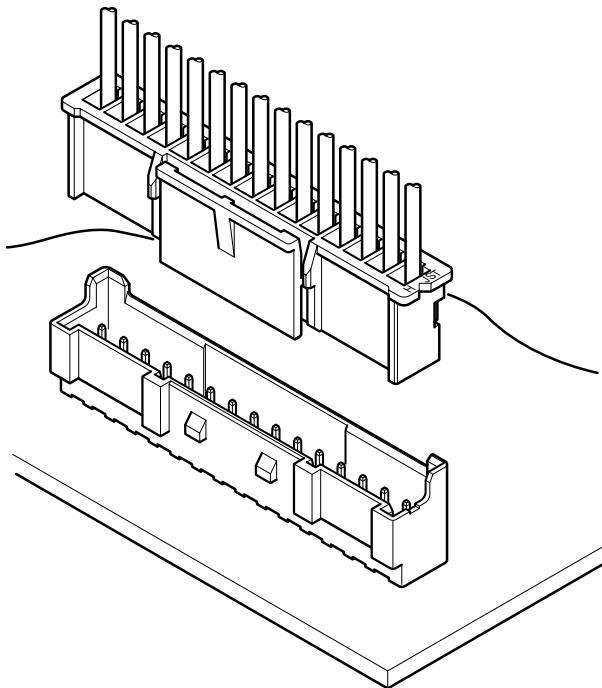


**JST**

Crimp

**2.0mm**  
(.079") pitch

# PA CONNECTOR

*Disconnectable Crimp style connectors*

## Features

### • **Locking device**

The housing has a locking device to securely hold the header, preventing accidental disconnection because of external forces that might result from the routing of wires during assembly process or of vibration.

### • **Reliable contacts**

The box contact supplies stable contact performance even under conditions of vibration, distortion, low voltage or low current.

### • **Low insertion force**

Header pins are reflow-treated, which provides low insertion force.

### • **Insertion guide mechanism**

Header has housing insertion guides for easy and secure insertion.

### • **Flanged press pin**

Top entry type header has flanged press pins, preventing accidental removal of the pins that might result from the distorted unmating especially in the case of small no. of circuits.

### • **Polarizing boss**

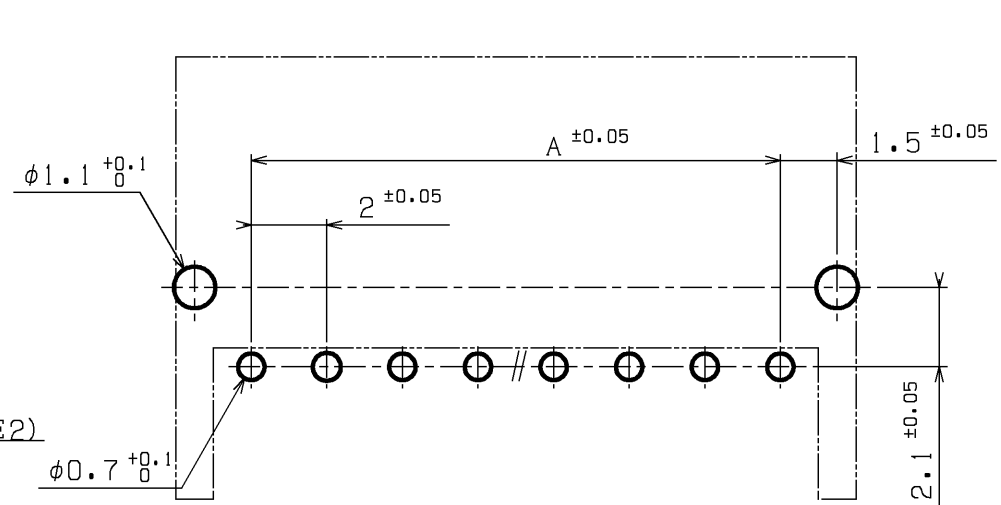
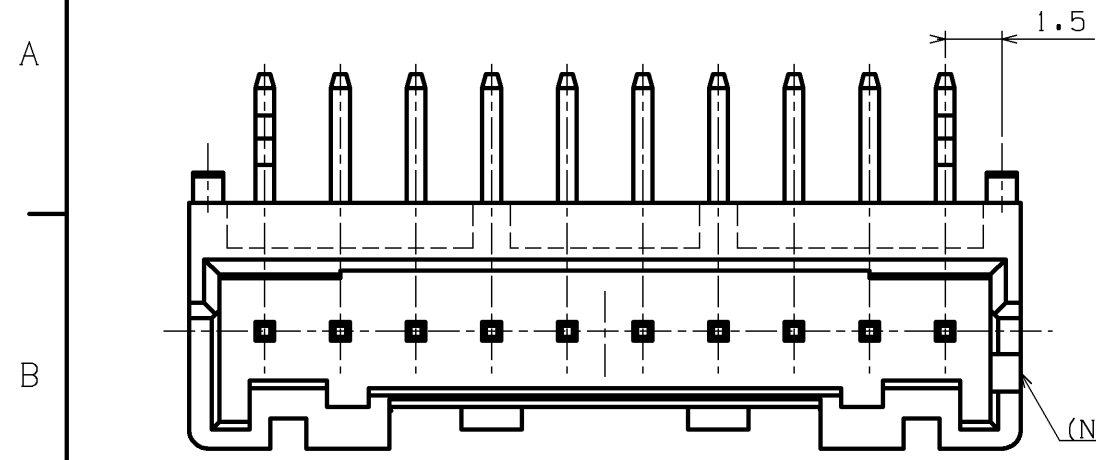
Top entry type headers with polarizing bosses are also available.

## Specifications

- Current rating: 3A AC, DC (AWG#22)
  - Voltage rating: 250V AC, DC
  - Temperature range: -25°C to +85°C  
(including temperature rise in applying electrical current)
  - Relative humidity: 0 to 80%
  - Contact resistance: Initial value/10m Ω max.  
After environmental testing/20m Ω max.
  - Insulation resistance: 1,000M Ω min.
  - Withstanding voltage: 800V AC/minute
  - Applicable wire: AWG #28 to #22
  - Applicable PC board thickness: 1.6mm(.063")
- \* Contact JST for details.

1 2 3 4 5 6 7 8

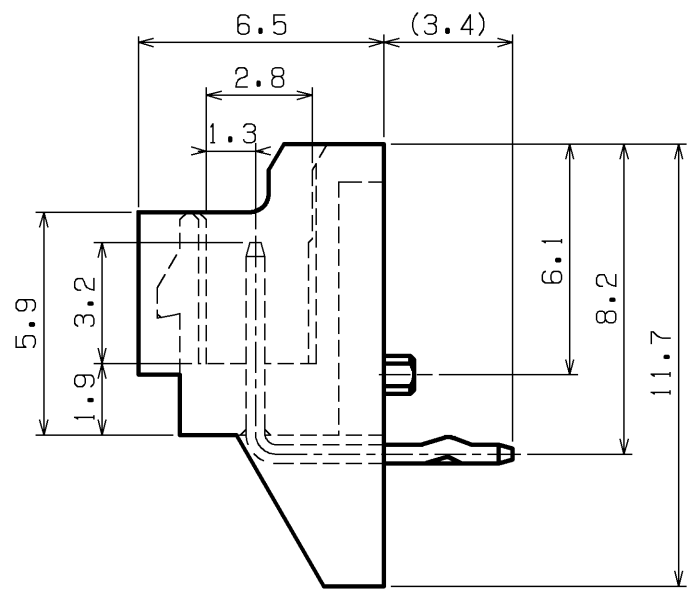
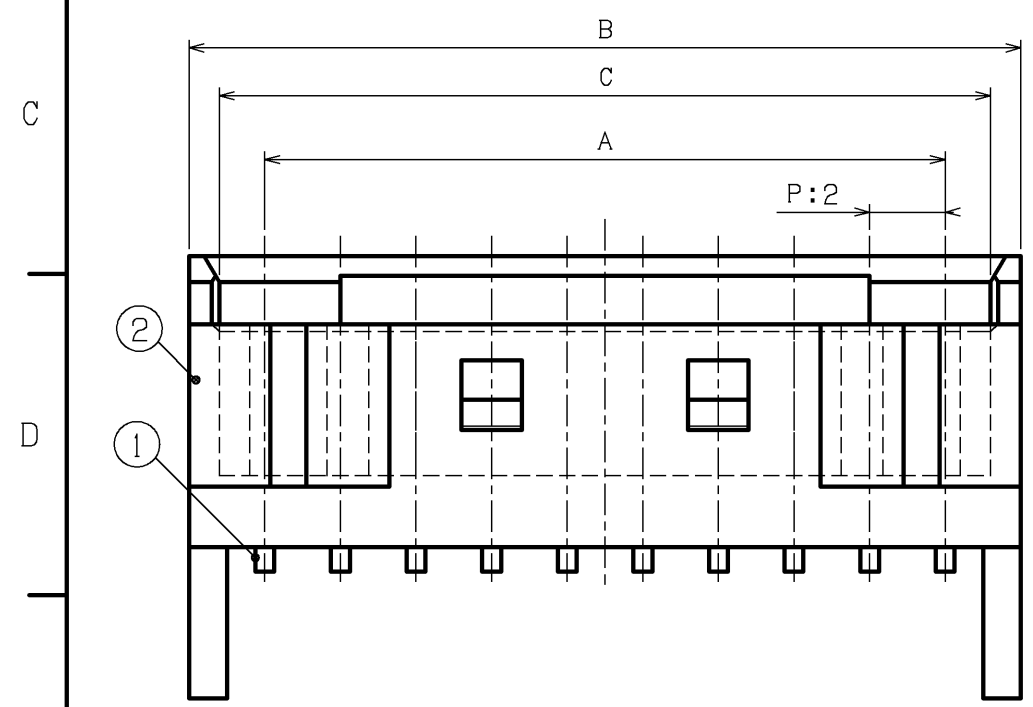
REV.	DESCRIPTION	DATE	DESIGNED
△			



Recommendable P.C.Board hole layout

NOTE  
 1. Unless otherwise specified, tolerances are 0 <math>L \le 5.0</math> :  $\pm 0.3$   
 5.0 <math>L</math> :  $\pm 0.4$   
 2. No.1 circuit

Color	Part No.
Natural (White)	S ( ) B-PASK-2 (LF) (SN)
Black	S ( ) B-PAKK-2 (LF) (SN)



Cir-cuits	Dimensions		
	A	B	C
10	18.0	22.0	20.4
11	20.0	24.0	22.4
12	22.0	26.0	24.4
13	24.0	28.0	26.4
14	26.0	30.0	28.4
15	28.0	32.0	30.4

A  
B  
C  
D  
E  
F

2	WAFER	PBT (G.F.)		UL94V-0
1	POST	COPPER ALLOY	COPPER-UNDERPLATED TIN-PLATED	
No.	PART NAME	MATERIAL	SURFACE FINISH	REMARKS
SIZE	UNIT	SCALE	PROJECTION	DATE
A3	METRIC	5:1		NOV.15.2004
APPROVED	CHECKED	DESIGNED	DRAWN	CUSTOMER
S.K		D.A	N.H	SERIES NAME
<b>JST</b> J.S.T.MFG.CO., LTD				PA CONNECTOR (10~15 circuits)
				PART No.
DRAWING No.				KRD-33977
				RO

THIS DRAWING CONTAINS INFORMATION THAT IS PROPRIETARY TO J.S.T. AND SHOULD NOT BE USED WITHOUT WRITTEN PERMISSION.