

PRODUCT NUMBER  
77311-YXX-XXLF

PLATING SEE SHEET 2

PIN STYLE SEE SHEET 2

RoHS COMPATIBLE  
SEE NOTE 6

TOTAL NB OF POSITIONS 01 TO 36

OPTION LETTER SEE SHEET 2

PRODUCT NUMBER (BERGSTRIK PACKAGING)  
77311-YXX-OOLF

PLATING

1= 0.76µm GOLD/GXT ON CONTACT AREA, 2µm TIN MIN ON TAILS

8= 0.38µm GOLD/GXT ON CONTACT AREA, 2µm TIN MIN ON TAILS

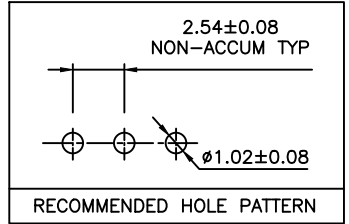
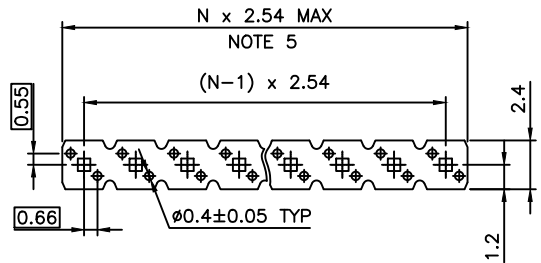
4= 2.0µm TIN MIN FULL PLATED

1.27µm NICKEL MIN UNDERLAYER FOR ALL PLATING VERSIONS

INDICATES THE PRODUCT IS RoHS COMPATIBLE, SEE NOTE 6

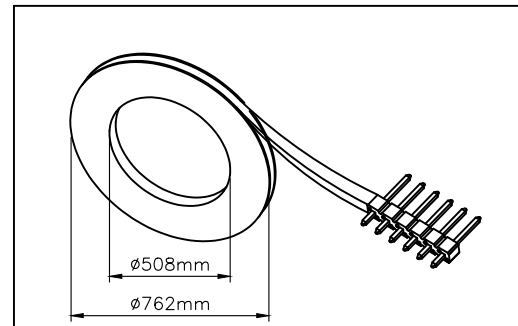
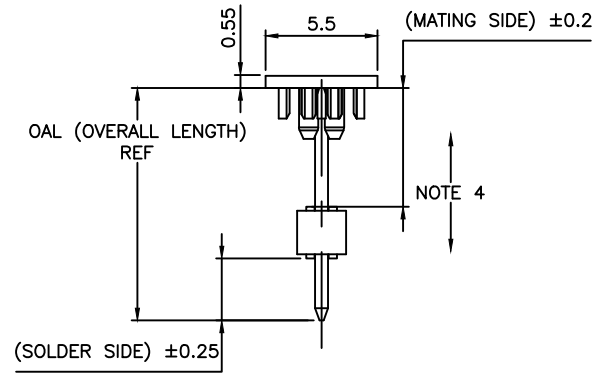
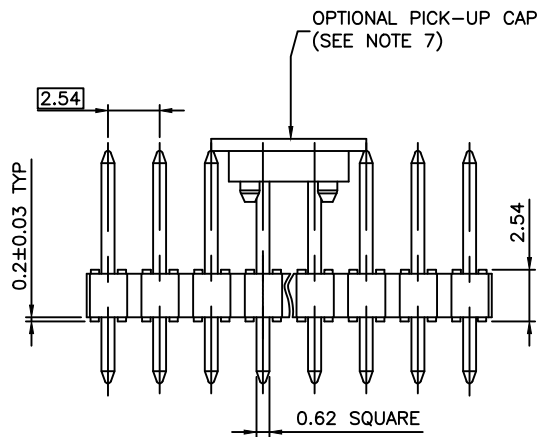
POSITIONS PER REEL : 00=36,000 (BERGSTRIK)

PIN STYLE	MATING	SOLDER	OAL
01	5.84	2.41	10.8
02	5.84	3.42	11.8
18	5.84	3.05	11.43
22	7.75	3.05	13.35
24	6.75	2.9	12.2
27	6.6	2.66	11.8



- NOTES:
- HOUSING MAT'L : HIGH TEMPERATURE THERMOPLASTIC. UL94V-0 COLOR: BLACK
  - PIN MATERIAL : PHOSPHOR BRONZE
  - BERGSTIK PRODUCT PACKAGED IN POLYBAGS. BERGSTRIK PRODUCT PACKAGED PER REELS.
  - 9N MIN RETENTION IN EITHER DIRECTION
  - TO DETERMINE DIMENSIONS :  
N = NUMBER OF POSITIONS PER ROW  
EXAMPLE : 8 POS N x 2.54 = 20.32mm
  - RoHS COMPATIBLE PRODUCT SPECIFICATIONS

- a - PLATING:
- "LF" MEANS THE PRODUCT IS LEAD-FREE, 2µm MINIMUM MATTE TIN OVER 1.27µm MINIMUM NICKEL UNDERPLATE.
- b - MANUFACTURING PROCESS COMPATIBILITY
- THE HOUSING WILL WITHSTAND EXPOSURE TO 260°C ±5°C SOLDER BATH TEMPERATURE FOR 5 SECONDS IN A WAVE SOLDER APPLICATION WITH A 1.6mm MIN THICK CIRCUIT BOARD.
  - REFLOW COMPATIBLE
- c - LABELING:
- MEETS PACKAGING SPECS AS PER GS-14-920
- d - LEGAL STATEMENT: SEE GS-47-0004



mat'l. code		surface		tolerance		projection		product family	
SEE NOTES		ISO 1302		ISO 406 ISO 1101		mm		BERGSTIK	
ltr	ecn no	dr	date	tolerances unless otherwise specified		mm		title	
CW	F-38159	DDE	20.08.26	angles	linear	mm		UNSHR.HEADER	
CX	F-39392	DDE	20.12.18			scale 5:1		STR SR TMT	
CY	F-39850	DDE	22.01.13					dwg no	
				dr	D.LE	01.01.24	sheet 1 of 3		size
				enr	JM.C	01.01.24	77311		A3
				chr	JM.C	01.01.24	type		CUSTOMER
				appd	JF.N	01.01.24	Drawing		
sheet	revision	CY	CA	N					
index	sheet	1	2	3					

Amphenol FCI FCIconnect.com

Copyright FCI

OPTIONS : - = POLYBAG PACKAGING

- K = TAPE & REEL PACKAGING, WITHOUT PICK UP CAP  
ONLY FOR P/N 77311-462K04(LF) AND 77311-462K05(LF)
- A = TAPE & REEL PACKAGING, WITH PICK UP CAP. AS AVAILABLE
- KC = TAPE & REEL PACKAGING WITHOUT PICK UP CAP AND WITH HIGH RETENTION FEATURES
- KV = TAPE & REEL PACKAGING WITHOUT PICK UP CAP FOR CUSTOMER DEDICATED PART  
ONLY FOR P/N 77311-462KV04LF
- AV = TAPE & REEL PACKAGING WITH PICK UP CAP FOR CUSTOMER DEDICATED PART
- C = HIGH RETENTION FEATURES, SEE SHEET 2
- V = BLIBOX PACKAGING FOR CUSTOMER DEDICATED PART. ONLY FOR 77311-4BNV01LF
- R = RETENTION FEATURES, SEE BELOW  
IF RETENTION FEATURE "R" AND TUBE PACKAGING "T" ARE BOTH REQUIRED  
OPTIONAL LETTER "R" WILL APPEAR INSTEAD OF THE FIRST DASH  
EXAMPLE : 77311R424T03LF

RETENTION FEATURES :

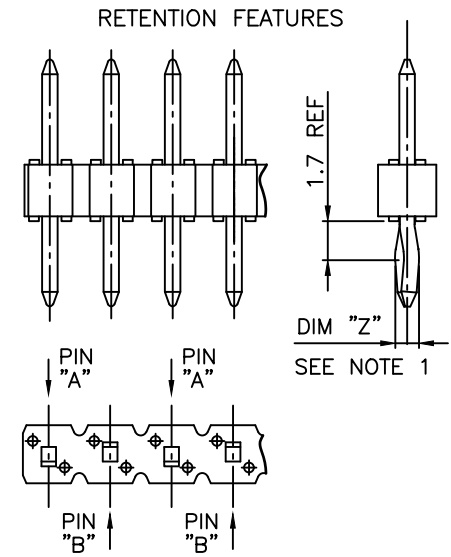
- 1 - PART NUMBER 77311-XXXXXXLF: DIM "Z"=(0.99)  
PART NUMBER 77311-XXXXCXXLF: DIM "Z"= 1.05MIN -1.15MAX
- 2 - PINS "A" AND "B" USED FOR RETENTION.
- 3 - DIRECTION OF RETENTION SHOWN BY ARROWS.
- 4 - ON 4 TO 36 POSITIONS HEADER; RETENTION IS IN MID POSITION OF HEADER (4 CENTRAL PINS)
- 5 - FOR RETENTION OPTION , SOLDER TAIL LENGTH TO BE 2.9 MIN UP TO 3.5 MAX.
- 6 - HOUSING MATERIAL FOR P/N 77311-4AJC03LF & 77311-TAJC03LF  
HIGH TEMPERATURE THERMOPLASTIC UL94V-0 COLOR : NATURAL

PLATING SPECIFICATIONS :

- 7 - ONLY FOR PLATING 1XX, 8.0MM GOLD / GXT PLATING AREA FROM PIN TYPE ON MATING SIDE

PLATING :

- 1 = 0.76µm GOLD/GXT ON CONTACT AREA, 2µm TIN MIN ON TAIL
- 4 = 2µm TIN MIN FULL PLATED
- 5 = 0.25µm GOLD/GXT ON CONTACT AREA, 2µm TIN MIN ON TAIL ONLY AVAILABLE UPON REQUEST
- 8 = 0.38µm GOLD/GXT ON CONTACT AREA, 2µm TIN MIN ON TAIL
- G = 0.76µm FULL GXT
- S = 0.38µm FULL GXT
- T = 2µm TIN MIN FULL PLATED INCLUDED PIN TYP  
- 1.27µm NICKEL MIN UNDERLAYER FOR ALL PLATING VERSIONS



mat'l. code				surface ISO 1302 ✓		tolerance ISO 406 ISO 1101		projection mm		product family BERGSTIK			
ltr	ecn no	dr	date	tolerances unless otherwise specified		mm		scale N/A		title UNSHR.HEADER STR SR TMT			
BU	B-20596	AMA	15.03.30	angles	linear					dwg no		sheet 2 of 3	size
BV	F-22085	LMU	15.10.05							77311		A3	
BW	F-22100	AMA	15.10.08							type		CUSTOMER Drawing	
BX	F-26241	LMU	17.03.01	dr	D.LE	01.01.24							
BY	F-39392	DDE	20.12.18	enr	JM.C	01.01.24							
CA	F-39850	DDE	23.01.13	chr	JM.C	01.01.24							
				appd	JF.N	01.01.24							
sheet index		revision sheet											

Amphenol FCI FCIconnect.com

Copyright FCI

PRODUCTS SPECIFICATIONS

PIN	STYLE	MATING	SOLDER	OAL
01		5.84	2.41	10.8
02		5.84	3.42	11.8
03		5.72	5.09	13.35
05		5.72	10.14	18.4
08		5.72	17.78	26.04
11		5.72	5.94	14.20
15		8.51	2.55	13.6
18		5.84	3.05	11.43
19		12.83	3.03	18.4
20		15.37	3.04	20.95
22		7.75	3.05	13.35
24		6.75	2.9	12.2
25		8.51	3.18	14.22
27		6.6	2.65	11.8
26		15.57	2.84	20.95
29		17.5	3.46	23.5
32		10.3	3.05	15.9
38		5.84	3.82	12.2
39		11.2	3.05	16.8
46		8.08	2.98	13.6
54		8.08	3.81	14.43
58		14.47	3.05	20.06
62		13.5	3.05	19.09
70		6.54	3.50	12.57
83		20.46	3.00	26.00
85		5.72	8.51	16.76
87		6.98	3.05	12.57
91		5.6	10.21	18.35
92		5.65	12.76	20.95
93		6.00	4.81	13.35
94		15.60	3.20	21.25
95		10.00	8.45	20.95
96		10.95	3.05	16.55
97		9.00	3.55	15.09
98		3.00	1.35	6.84
99		24.00	3.05	29.50
AA		5.72	15.24	23.50
AB		N/A	2.79	N/A

NOTE 7

PRODUCTS SPECIFICATIONS

PIN	STYLE	MATING	SOLDER	OAL
AC		7.21	3.05	12.80
AD		17.53	3.43	23.50
AE		4.99	2.80	10.33
AF		5.72	3.05	11.30
AG		5.84	4.95	13.33
AH		14.31	3.20	20.05
AJ		8.90	3.40	14.85
AK		25.06	3.00	30.80
AL		3.30	3.30	9.14
AM		9.26	3.05	14.85
AN		7.60	4.40	14.47
AP		7.80	3.30	13.60
AR		18.86	2.41	23.81
AS		11.91	1.45	15.90
AT		4.60	4.60	11.61
AU		12.10	3.10	17.70
AV		6.30	6.30	15.10
AW		9.16	1.80	13.50
AX		5.08	2.43	10.05
AY		7.49	3.47	13.50
BA		8.08	2.75	13.37
BB		10.80	2.15	15.50
BC		8.08	3.81	14.43
BD		10.10	2.16	14.80
BE		13.65	2.41	18.60
BF		2.54	5.32	10.40
BG		4.98	1.85	9.23
BH		4.69	2.41	9.50
BJ		7.21	6.15	15.90
BK		6.86	2.65	12.05
BL		17.70	3.25	23.50
BM		10.96	3.70	16.20
BN		19.46	3.00	25.00
BP		8.80	3.20	14.50
BR		19.46	4.00	26.00
BS		5.72	11.05	19.30
BT		8.50	5.36	16.40
BU		3.80	3.80	10.14
BV		5.08	2.79	10.40
BW		7.36	2.30	12.20

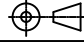
NOTE 6

PRODUCTS SPECIFICATIONS

PIN	STYLE	MATING	SOLDER	OAL
BX		2.67	3.43	8.60
BY		11.90	3.05	17.50
CA		7.50	6.00	16.04
CB		16.50	2.60	21.64
CC		4.00	2.95	9.50

Amphenol FCI FCIconnect.com

Copyright FCI

mat'l. code		surface	tolerance	projection	product family
		ISO 1302 <input checked="" type="checkbox"/>	ISO 406 <input type="checkbox"/> ISO 1101 <input type="checkbox"/>		BERGSTIK
ltr ecn no dr date		tolerances unless otherwise specified		title	
		angles linear		UNSHR.HEADER STR SR TMT	
		mm		scale N/A	
K	F-33636	LMU	19.05.22		
L	F-35304	LMU	19.11.04	A.MA 15.10.08	
M	F-38159	DDE	20.08.26	enrg L.MU 15.10.08	
N	F-39850	DDE	23.01.13	chr J.CO 15.10.08	
		appd		A.SO 15.10.08	
sheet	revision				
index	sheet				
			dwg no sheet 3 of 3 size		
			77311 A3		
			type CUSTOMER Drawing		