

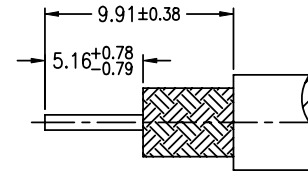
NOTES:

1. MATERIALS AND FINISHES
 BODY - BRASS, NICKEL PLATING
 CONTACT - BRASS, SILVER PLATING
 INSULATOR - PTFE
2. ELECTRICAL:
 A. IMPEDANCE: 50 OHM
 B. FREQUENCY RANGE: DC 0-11 GHz
3. MECHANICAL:
 A. DURABILITY: 500 CYCLES MIN.
 B. TEMPERATURE RANGE: - 40°C to +155°C
4. CABLES USED FOR RG-55/U, 55A/U, 58/U, 58A/U, 58C/U, 141/U, 142/U, 143/U

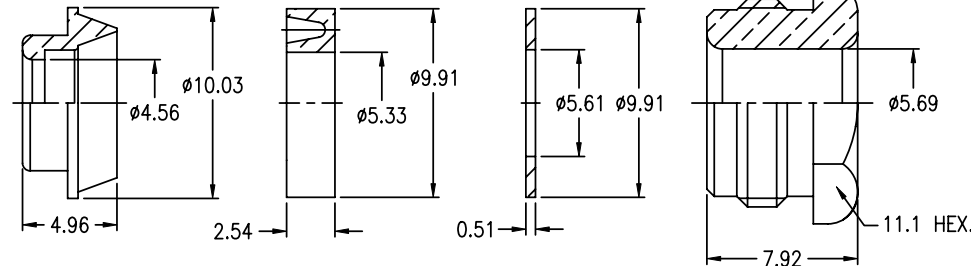
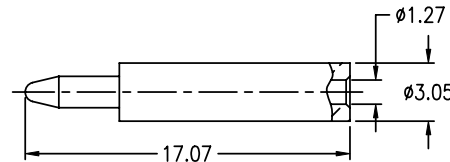
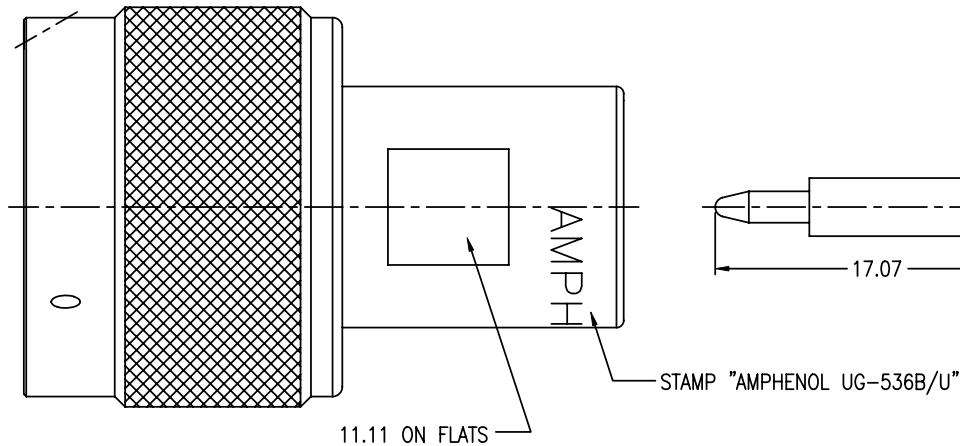
THIRD ANGLE PROJ.

REVISIONS

REV	DESCRIPTION	DATE	ECO	APPR
B	SEE SHEET 1	02-Dec-04	--	S.HSIEH
AE	REDRAWN TO UPDATE FORMAT	16-Jan-09	47239	SH
AF	STAMP "AMPHENOL" WAS "74868"\RD-DM11120601R3	26-Dec-11	48842	SH



RECOMMENDED
CABLE STRIPPING DIM'S



CUSTOMER OUTLINE DRAWING

ALL OTHER SHEETS ARE FOR INTERNAL USE ONLY

UNLESS OTHERWISE SPECIFIED, DIMENSIONS ARE IN METRIC AND TOLERANCES ARE:
 0.5 - 6mm ±0.1mm 6 - 30mm ±0.2mm 30 - 120mm ±0.3mm ANGLES ±1°

NOTICE - These drawings, specifications, or other data (1) are, and remain the property of Amphenol Corp. (2) must be returned upon request; and (3) are confidential and not to be disclosed to any person other than those to whom they are given by Amphenol Corp. The furnishing of these drawings, specifications, or other data by Amphenol Corp., or to any other person to anyone for any purpose is not to be regarded by implication or otherwise in any manner licensing, granting rights or permitting such holder or any other person to manufacture, use or sell any product, process or design, patented or otherwise, that may in any way be related to or disclosed by said drawings, specifications, or other data.

MATERIAL	DRAWN R.MAO DATE 12-Dec-11	TITLE IMPROVED 'N' PLUG UG-536B/U	Amphenol RF Danbury CT USA, Tainan Taiwan, Shenzhen China www.amphenolrf.com	
REFERENCE	ENGINEER S.HSIEH DATE 02-Dec-04	APPROVED S.HSIEH DATE 12-Dec-11	DRAWING NO.	34025
FINISH	CAD FILE F:\DWG\CNPD\34025-AFSZ	SCALE:2.5/1	SHEET	2 OF 2
		DWG SIZE B	CODE ID 74868	REV AF
			ITEM NO.	34025
			PART NO.	34025

Mouser Electronics

Authorized Distributor

Click to View Pricing, Inventory, Delivery & Lifecycle Information:

[Amphenol:](#)

[000-34025](#)