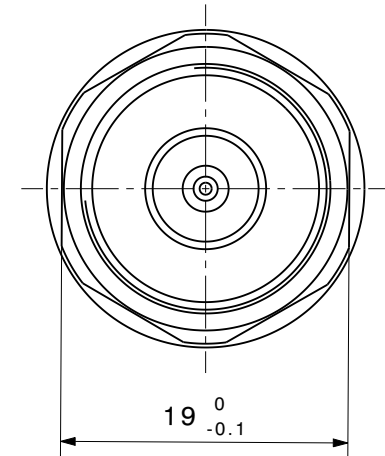
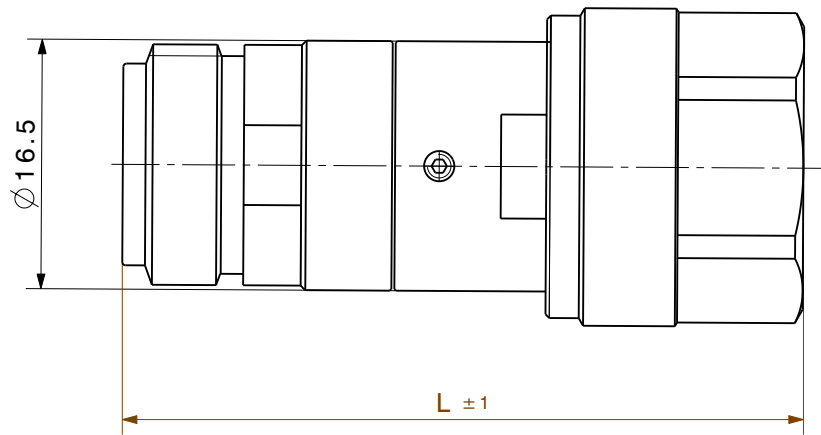


Types:

- 6801_N-50-1
- 6802_N-50-1
- 6803_N-50-1
- 6804_N-50-1
- 6805_N-50-1
- 6806_N-50-1
- 6807_N-50-1
- 6808_N-50-1
- 6809_N-50-1
- 6810_N-50-1
- 6815_N-50-1
- 6820_N-50-1
- 6830_N-50-1
- 6840_N-50-1



0-30dB:L=45
40-60dB:L=48

Type:	All dimensions after treatment in millimeter (mm)		
Assembly drawing	Released date: 09.09.2022	alternative ID	3D-ID PRO-01161233 A Sheet: 1 / 1
	description		ID
	Attenuator		Release DOU-01161234 A

Mouser Electronics

Authorized Distributor

Click to View Pricing, Inventory, Delivery & Lifecycle Information:

HUBER+SUHNER:

[6606_SMA-50-2/199_NE](#) [6605_SMA-50-2/199_NE](#) [6606_SMA-50-1/199_NE](#) [6606_PC24-50-1/199_NE](#) [6607_SMA-50-3/199_NE](#) [6608_SMA-50-1/199_NE](#) [6609_SMA-50-2/199_NE](#) [6606_SMA-50-3/199_NE](#) [6607_SMA-50-1/199_NE](#) [6607_SMA-50-2/199_NE](#) [6608_SMA-50-2/199_NE](#) [6609_SMA-50-1/199_NE](#) [6605_SMA-50-3/199_NE](#) [6606_SK-50-1/199_NE](#)