



Cable socket, self-assembly

Product features

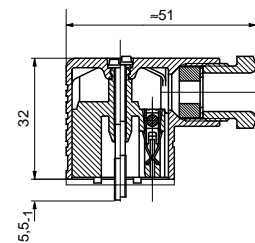
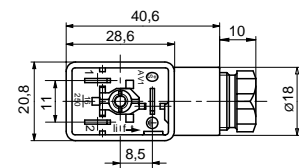
- durable angled connectors, dust and splash protected (IEC 60529 – IP 65)
- vibration-proof locking using a central screw available for tool-free actuation or as knurled screw
- patent-protected combination terminal for connecting flex wire with or without wire end ferrules or fixture of fork terminals directly under the screw head
- on narrow devices with more compact construction than when using type DIN 43650-A
- hydraulic, pneumatic electromagnetic actuators; e.g. solenoid valves, pressure sensors, flow indicators

Variations

- contact arrangement according to DIN 43650-B/ISO 6925 (contact distance 10 mm)
- contact arrangement according to industrial standard (contact distance 11 mm)

Further information

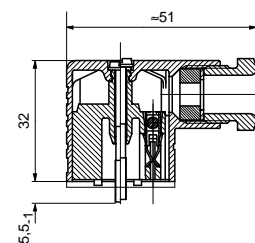
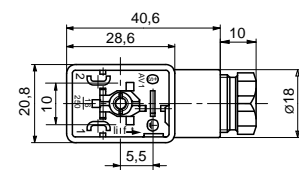
see technical data in the catalog Rectangular connectors for automation technique DS 280 490-440.



GM 209 NJ
industrial standard

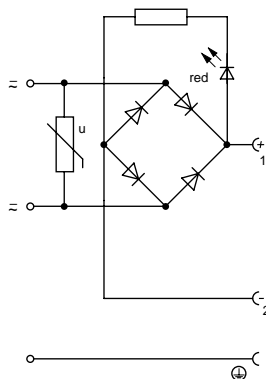
poles	type	locking screw	type or connection	color	approvals	order no.
2+ ⊕ industrial standard (11 mm)	GM 209 NJ	PG 9	S / CS / CE	black		932 977-100
	GMC 209 NJ	PG 9	C	grey		932 977-106
2+ ⊕ DIN 43650-B	GMN 209 NJ	PG 9	S / CS / CE	black		933 384-100
	GMNC 209 NJ	PG 9	C	grey		933 384-106
				black		932 987-100
				grey	932 987-106	
				black		933 385-100
				grey		933 385-106

S = screw; CS = cable shoe; CE = cable eye; C = crimps



GMN 209 NJ
DIN 43650-B/ISO 6952

Cable socket with electronic insert



GML 209 NJ GB1 LED 24
GMNL 209 NJ GB1 LED 24

Product features

with integrated electronic circuits such as rectifiers, optical status displays, protective elements etc. for the connection of appliances or elements which do not have these functions integrated

Further information

see technical data in the catalog Rectangular connectors for automation technique DS 280 490-440.

poles	type	operating voltage	description	LED color	PG color	approvals	order no.	
2+ ⊕ industrial standard (11 mm)	GML 209 NJ GB1	UC 250 V	bridge-type rectifier with protective circuit		black		933 398-100	
	GML 209 NJ GB1 LED 24	UC 24 V	bridge-type rectifier	red	grey		933 398-106	
	GML 209 NJ LED 24 HH	DC 24 V	function indicator with protective circuit	red	black		933 642-100	
	GML 209 NJ LED 24 YE	UC 24 V	function indicator with freewheeling diode	yellow	grey		933 642-106	
	GML 209 NJ LED 24	UC 24 V	function indicator with freewheeling diode	red	black		933 389-100	
	GML 209 NJ LED 24 VR YE	UC 24 V	function indicator with freewheeling diode and protective circuit	yellow	grey		933 389-106	
	GML 209 NJ LED 120 YE	UC 120 V	function indicator with freewheeling diode	yellow	black		933 571-100	
	GML 209 NJ LED 120 VR YE	UC 120 V	function indicator with freewheeling diode and protective circuit	yellow	grey		933 571-106	
	GML 209 NJ LED 230 YE	UC 250 V	function indicator with freewheeling diode	yellow	black		933 928-100	
	GML 209 NJ LED 230	UC 250 V	function indicator with freewheeling diode	red	grey		933 928-106	
	GML 209 NJ LED 230 VR YE	UC 250 V	function indicator with freewheeling diode and protective circuit	yellow	black		933 929-100	
	GML 209 NJ GB1 LED 230	UC 250 V	bridge-type rectifier with protective circuit and function indicator	red	grey		933 929-106	
	2+ ⊕ DIN 43650-B	GMNL 209 NJ GB1	UC 250 V	bridge-type rectifier with protective circuit		black		933 712-100
		GMNL 209 NJ GB1 LED 24	UC 24 V	bridge-type rectifier with protective circuit and function indicator	red	grey		933 712-106
GMNL 209 NJ LED 24 HH		DC 24 V	function indicator with protective circuit	red	black		933 934-100	
GMNL 209 NJ LED 24 YE		UC 24 V	function indicator with freewheeling diode	yellow	grey		933 934-106	
GMNL 209 NJ LED 120 YE		UC 120 V	function indicator with freewheeling diode	yellow	black		933 713-100	
GMNL 209 NJ LED 230 YE		UC 250 V	function indicator with freewheeling diode	yellow	grey		933 713-106	
								933 931-100
							933 931-106	
							933 932-100	
							933 932-106	

Molded cable socket

Product description

preassembled and molded-on cable socket without integrated electronic circuitry

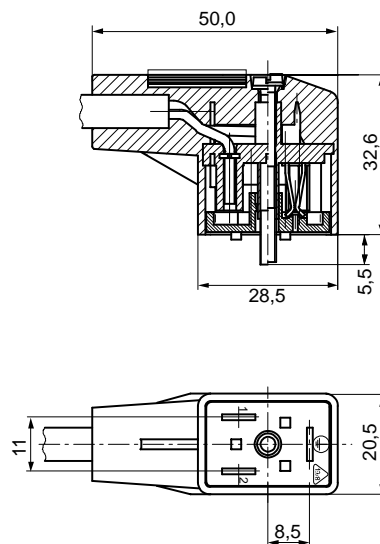
Variations

- PVC grey (additional colors, cable material, length... on application)
- 0° and 180° cable outlet

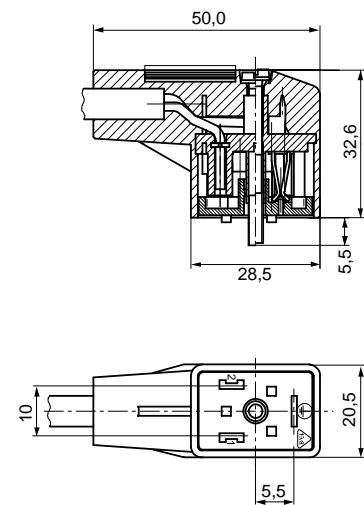
Further information

see technical data in the catalog
Rectangular connectors for automation technique
DS 280 490-440.

For tailor-made systems,
see page 24



GM-K 2000 industrial standard



GMN-K 2000 DIN 43650-B/ISO 6952

poles	type	length	operating voltage	description	color	order no.
2+ ⊕ industrial standard (11 mm)	GM-K 2000	2 m	UC 250 V		black	933 261-111
		5 m	UC 250 V		grey	933 261-611
	GM-K 2000 Z	2 m	UC 250 V	180° cable outlet	black	933 261-112
			grey		grey	933 261-612
		2 m	UC 250 V	180° cable outlet	black	933 262-111
			grey		grey	933 262-611
2+ ⊕ DIN 43650-B	GMN-K 2000	2 m	UC 250 V		black	933 262-112
		5 m	UC 250 V		grey	933 262-612
	GMNK-2000 Z	2 m	UC 250 V	180° cable outlet	black	933 247-111
			grey		grey	933 247-611
		5 m	UC 250 V		black	933 247-112
			grey		grey	933 247-612
		2 m	UC 250 V	180° cable outlet	black	933 248-111
			grey		grey	933 248-611
		5 m	UC 250 V	180° cable outlet	black	933 248-112
			grey		grey	933 248-612

Molded cable socket, with electronic insert



Product description

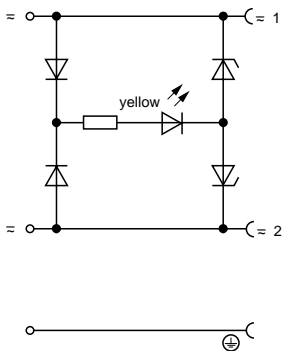
preassembled and molded-on cable socket with integrated electronic circuitry and/or LED displays

Variations

- PVC grey (additional colors, cable material, length... on application)
- 0° and 180° cable outlet

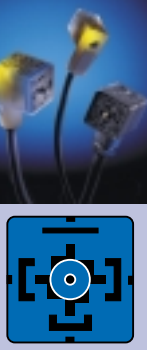
Further information

see technical data in the catalog
Rectangular connectors for automation technique DS 280 490-440.
For tailor-made systems, see page 24



GML-K 2000 LED 24 GB1 ZZ
GMNL-K 2000 LED 24 GB1 ZZ

poles	type	length	color	operating voltage	description	LED-color	order no.
2+ ⊕ industrial standard (11 mm)	GML-K 2000 LED 24 GB1 ZZ	2m	black grey	UC 24 V	LED rectifier with Z-diode and function indicator	yellow	933 263-111
		5m	black grey			yellow	933 263-112
	GML-K 2000 Z LED 24 GB1 ZZ	2m	black grey	UC 24 V	LED-rectifier with Z-diode and function indicator	yellow	933 263-612
		5m	black grey			yellow	933 264-111
	GML-K 2000 LED 24 HH	2 m	black grey	DC 24 V	180° cable outlet function indicator with protective circuit	yellow	933 264-611
		5 m	black grey			yellow	933 264-612
	GML-K 2000 Z LED 24 HH	2 m	black grey	DC 24 V	function indicator with protective circuit	red	933 264-612
		5 m	black grey			red	933 271-111
	GML-K 2000 LED 120 HH VR	2 m	black grey	UC 120 V	function indicator with protective circuit	red	933 271-611
		5 m	black grey			red	933 271-612
	GML-K 2000 LED 230 HH VR	2 m	black grey	UC 250 V	function indicator with protective circuit	red	933 271-112
		5 m	black grey			red	933 272-111
	GML-K 2000 LED 24 HH	2 m	black grey	DC 24 V	function indicator with protective circuit	red	933 272-112
		5 m	black grey			red	933 272-612
GML-K 2000 LED 120 HH VR	2 m	black grey	UC 120 V	function indicator with protective circuit	red	933 267-111	
	5 m	black grey			red	933 267-611	
GML-K 2000 LED 230 HH VR	2 m	black grey	UC 250 V	function indicator with protective circuit	red	933 267-112	
	5 m	black grey			red	933 267-612	
GML-K 2000 LED 24 HH	2 m	black grey	DC 24 V	function indicator with protective circuit	red	933 269-111	
	5 m	black grey			red	933 269-611	
GML-K 2000 LED 24 HH	2 m	black grey	DC 24 V	function indicator with protective circuit	red	933 269-112	
	5 m	black grey			red	933 269-612	



Molded cable socket, with electronic insert (continuation)

poles	type	length	color	operating voltage	description	LED-color	order no.
2+ ⊕ DIN 43650-B	GMNL-K 2000 LED 24 GB1 ZZ	2 m	black	UC 24 V	LED-rectifier with Z-diode and function indicator	yellow	933 249-111
		5 m	grey			yellow	933 249-611
		5 m	black			yellow	933 249-112
	GMNL-K 2000 Z LED 24 GB1 ZZ	2 m	black	UC 24 V	LED-rectifier with Z-diode and function indicator	yellow	933 249-612
		5 m	grey			yellow	933 250-111
		5 m	black			yellow	933 250-611
	GMNL-K 2000 LED 24 HH	2 m	black	DC 24 V	180° cable outlet function indicator with protective circuit	yellow	933 250-112
		5 m	grey			red	933 250-612
		5 m	black			red	933 257-111
	GMNL-K 2000 Z LED 24 HH	2 m	black	DC 24 V	function indicator with protective circuit 180° cable outlet	red	933 257-611
		5 m	grey			red	933 257-112
		5 m	black			red	933 257-612
	GMNL-K 2000 LED 120 HH VR	2 m	black	UC 120 V	function indicator with protective circuit	red	933 258-111
		5 m	grey			red	933 258-611
		5 m	black			red	933 258-112
	GMNL-K 2000 LED 230 HH VR	2 m	black	UC 250 V	function indicator with protective circuit	red	933 258-612
		5 m	grey			red	933 253-111
		5 m	black			red	933 253-611
GMNL-K 2000 LED 230 HH VR	2 m	black	UC 250 V	function indicator with protective circuit	red	933 253-112	
					red	933 253-612	
	5 m	grey	red	933 255-111			
			red	933 255-611			
	5 m	black	red	933 255-112			
			red	933 255-612			

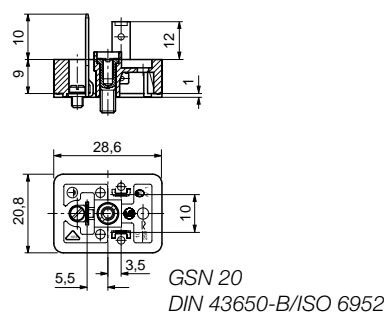
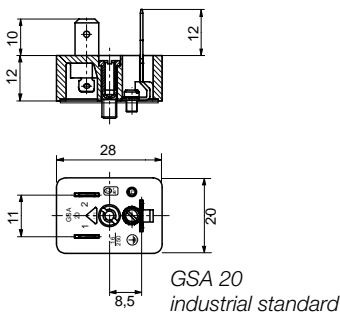
Appliance connector

Product description

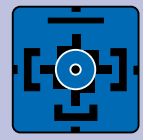
appliance connector for screwing

Further information

see technical data in the catalog
Rectangular connectors
for automation technique
DS 280 490-440.



standard	type	description	approvals	order no.
2+ ⊕ industrial standard (11 mm) DIN 43650 B	GSA 20	central screws, hollow		931 352-100
	GSN 20	central screws, hollow		932 421-100



Accessories

Product features

- flat gaskets
- central screws

Variations

- For applications where silicon cannot be used, Hirschmann offers alternative materials which have no restrictive effect on the temperature range.

Further information

see technical data in the catalog
Rectangular connectors
for automation technique
DS 280 490-440.

accessories	type	description	order no.	contact arrangement
cable socket	GM 207-3	flat gasket NBR	731 423-002	industrial standard
	GM 207-7	flat gasket ECO	731 755-002	industrial standard
	GMN 209-3	flat gasket NBR	733 273-002	DIN 43650 B
	GMN 209-12	flat gasket ECO	733 271-002	DIN 43650 B
	GDM 3011-8	central screw with knurled head GDM/GM	732 574-001	
appliance connector	GDM 3011 RF-1	stainless steel central screw GDM/GM	734 363-001	
	GSA 20-3	flat gasket NBR	731 490-002	industrial standard
	GSA 20-9	flat gasket ECO	734 033-002	industrial standard
	GSN 20-3	flat gasket NBR	733 275-002	DIN 43650 B
	GSN 20-6	flat gasket ECO	733 270-002	DIN 43650 B