



Features

- Single chip USB to 10/100/1000 Gigabit Ethernet and HomePNA and HomePlug Network Controller
- USB specification 1.0 and 1.1 and 2.0 compliant
- Supports USB Full and High Speed modes with Bus power capability
- Supports 4 endpoints on USB interface
- High performance packet transfer rate over USB bus using proprietary burst transfer mechanism (submitted for US patent application)
- IEEE 802.3, 802.3u, and 802.3ab (10BASE-T, 100BASE-TX, and 1000BASE-T) compatible
- Embedded 20KB SRAM for RX packet buffering and 20KB SRAM for TX packet buffering
- Supports both full-duplex and half-duplex operation in Fast Ethernet
- Provides MII/GMII/RGMII interfaces for Ethernet PHY interface and MII interface for HomePNA/HomePlug PHY interface
- Supports Jumbo packet of up to 9KB

Document No: AX88178-07/6/21/05

- Supports Suspend mode and Remote Wakeup via Link-up, Magic packet, or external pin
- Optional PHY power down during Suspend mode
- Supports 256/512 bytes (93c56/93c66) of serial EEPROM (for storing USB Descriptors)
- Supports automatic loading of Ethernet ID, USB Descriptors and Adapter Configuration from EEPROM after power-on initialization
- External PHY loop-back diagnostic capability
- Integrates on-chip 3.3V to 2.5V voltage regulator and requires only single power supply: 3.3V
- Small form factor with 128-pin LQFP package
- 12MHz clock input from either crystal or oscillator source
- Operating temperature range: 0 °C to 70 °C.

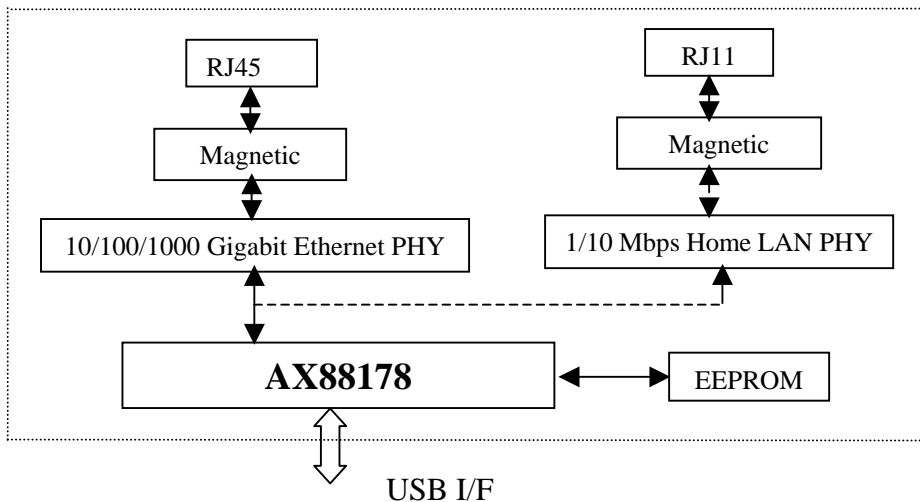
\*IEEE is a registered trademark of the Institute of Electrical and Electronic Engineers, Inc.

\*All other trademarks and registered trademark are the property of their respective holders.

Product Description

The AX88178 USB to 10/100/1000 Gigabit Ethernet/HomePNA/HomePlug controller is a high performance and highly integrated ASIC with embedded 40KB SRAM for packet buffering. It enables low cost and affordable Gigabit Ethernet network connection to desktop, notebook PC, and embedded system using popular USB ports. It has an USB interface to communicate with USB host controller and is compliant with USB specification V1.0, V1.1 and V2.0. It implements 10/100/1000Mbps Ethernet LAN function based on IEEE802.3, IEEE802.3u, IEEE802.3ab standards or HomePNA standard. It supports media-independent interface (MII) to simplify the design on implementing Fast Ethernet and HomePNA functions. It also provides gigabit media-independent (GMII) and reduced gigabit media-independent (RGMII) interface for interfacing with Gigabit Ethernet PHY.

System Block Diagram



Always contact ASIX for possible updates before starting a design.

This data sheet contains new products information. ASIX ELECTRONICS reserves the rights to modify product specification without notice. No liability is assumed as a result of the use of this product. No rights under any patent accompany the sale of the product.

## Table of Contents

<b>1.0</b>	<b>INTRODUCTION .....</b>	<b>4</b>
1.1	GENERAL DESCRIPTION .....	4
1.2	AX88178 BLOCK DIAGRAM.....	4
1.3	AX88178 PINOUT DIAGRAM.....	5
<b>2.0</b>	<b>SIGNAL DESCRIPTION .....</b>	<b>6</b>
<b>3.0</b>	<b>FUNCTION DESCRIPTION .....</b>	<b>9</b>
3.1	USB CORE AND INTERFACE .....	9
3.2	GIGABIT MAC CORE.....	9
3.3	STATION MANAGEMENT (STA).....	9
3.4	MEMORY ARBITER .....	9
3.5	USB TO ETHERNET BRIDGE.....	9
3.6	SERIAL EEPROM LOADER .....	9
3.7	GENERAL PURPOSE I/O.....	9
<b>4.0</b>	<b>SERIAL EEPROM MEMORY MAP.....</b>	<b>10</b>
4.1	DETAILED DESCRIPTION .....	11
<b>5.0</b>	<b>USB CONFIGURATION STRUCTURE.....</b>	<b>14</b>
5.1	USB CONFIGURATION .....	14
5.2	USB INTERFACE.....	14
5.3	USB ENDPOINTS .....	14
<b>6.0</b>	<b>USB COMMANDS .....</b>	<b>15</b>
6.1	USB STANDARD COMMANDS .....	15
6.2	USB VENDOR COMMANDS.....	16
6.2.1	DETAILED REGISTER DESCRIPTION .....	17
6.2.2	REMOTE WAKEUP DESCRIPTION .....	25
6.3	INTERRUPT ENDPOINT .....	25
<b>7.0</b>	<b>ELECTRICAL SPECIFICATIONS.....</b>	<b>26</b>
7.1	DC CHARACTERISTICS .....	26
7.1.1	ABSOLUTE MAXIMUM RATINGS .....	26
7.1.2	RECOMMENDED OPERATING CONDITION .....	26
7.1.3	LEAKAGE CURRENT AND CAPACITANCE .....	26
7.1.4	DC CHARACTERISTICS OF 2.5V I/O PINS.....	27
7.1.5	DC CHARACTERISTICS OF 3.3V I/O PINS.....	27
7.2	POWER CONSUMPTION.....	27
7.3	POWER-UP SEQUENCE.....	28
7.4	AC TIMING CHARACTERISTICS.....	28
7.4.1	CLOCK TIMING .....	28
7.4.2	RESET TIMING .....	29
7.4.3	GMII TIMING (1000MBPS) .....	29
7.4.4	RGMII TIMING .....	30
7.4.5	MII TIMING (100MBPS) .....	31



---

7.4.6	STATION MANAGEMENT TIMING .....	32
7.4.7	SERIAL EEPROM TIMING.....	33
<b>8.0</b>	<b>PACKAGE INFORMATION.....</b>	<b>34</b>
<b>9.0</b>	<b>ORDERING INFORMATION.....</b>	<b>35</b>
<b>APPENDIX A: SYSTEM APPLICATIONS .....</b>		<b>36</b>
A.1	USB TO GIGABIT ETHERNET CONVERTER .....	36
A.2	USB TO GIGABIT ETHERNET AND/OR HOMELAN COMBO SOLUTION.....	36
<b>REVISION HISTORY .....</b>		<b>37</b>

## List of Figures

FIGURE 1: AX88178 BLOCK DIAGRAM .....	4
FIGURE 2: AX88178 PINOUT DIAGRAM.....	5
FIGURE 3: MULTICAST FILTER EXAMPLE.....	21

## List of Tables

TABLE 1: PINOUT DESCRIPTON .....	6
TABLE 2: SERIAL EEPROM MEMORY MAP .....	10
TABLE 3: USB STANDARD COMMAND REGISTER MAP.....	15
TABLE 4: USB VENDOR COMMAND REGISTER MAP .....	16
TABLE 5: REMOTE WAKEUP TRUTH TABLE .....	25

## 1.0 Introduction

### 1.1 General Description

The AX88178 USB to 10/100/1000 Gigabit Ethernet/HomePNA/HomePlug controller is a high performance and highly integrated ASIC with embedded 40KB SRAM for packet buffering. It enables low cost and affordable Gigabit Ethernet network connection to desktop, notebook PC, and embedded system using popular USB ports. It has an USB interface to communicate with USB host controller and is compliant with USB specification V1.0, V1.1 and V2.0. It implements 10/100/1000Mbps Ethernet LAN function based on IEEE802.3, IEEE802.3u, IEEE802.3ab standards or HomePNA standard. It supports media-independent interface (MII) to simplify the design on implementing Fast Ethernet and HomePNA functions. It also provides gigabit media-independent (GMII) and reduced gigabit media-independent (RGMII) interface for interfacing with Gigabit Ethernet PHY.

The AX88178 needs 12MHz clock for USB operation and 125MHz clock for Gigabit Ethernet operation. It is in 128-pin LQFP low profile package with CMOS process and requires only single 3.3V power supply to operate.

### 1.2 AX88178 Block Diagram

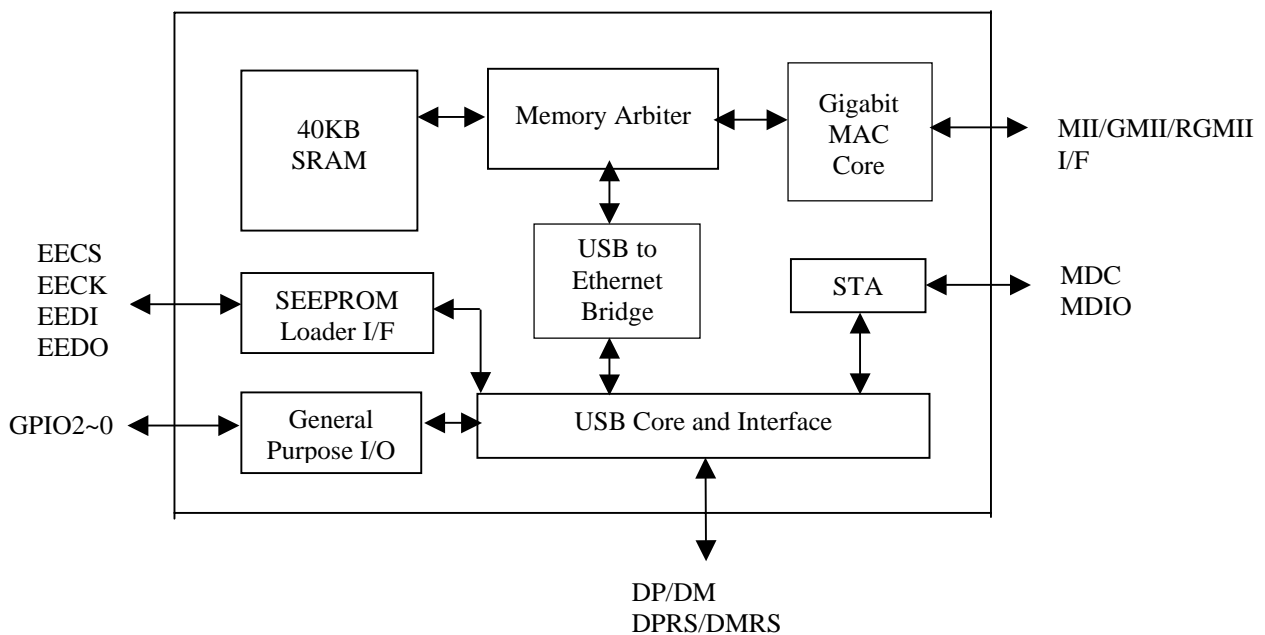


Figure 1: AX88178 Block Diagram

### 1.3 AX88178 Pinout Diagram

The AX88178 is housed in the 128-pin LQFP package.

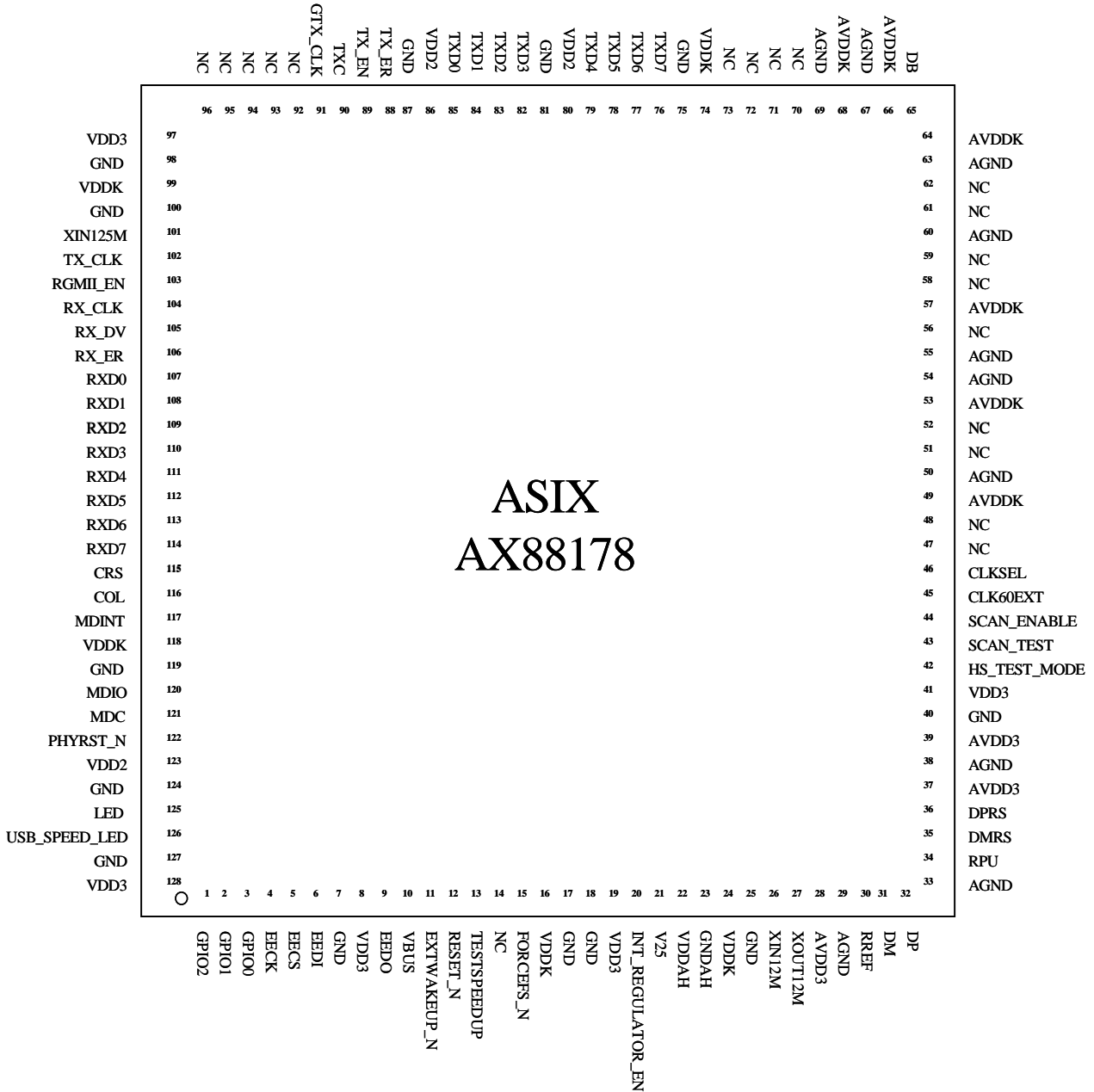


Figure 2: AX88178 Pinout Diagram

## 2.0 Signal Description

The following abbreviations apply to the following pin description table.

<b>I2</b>	<b>Input, 2.5V with 3.3V tolerant</b>	<b>B2</b>	<b>Bi-directional I/O, 2.5V with 3.3V tolerant</b>
<b>I3</b>	<b>Input, 3.3V</b>	<b>B5</b>	<b>Bi-directional I/O, 3.3V with 5V tolerant</b>
<b>I5</b>	<b>Input, 3.3V with 5V tolerant</b>	<b>PU</b>	<b>Internal Pull Up (75K)</b>
<b>O2</b>	<b>Output, 2.5V with 3.3V tolerant</b>	<b>PD</b>	<b>Internal Pull Down (75K)</b>
<b>O3</b>	<b>Output, 3.3V</b>	<b>P</b>	<b>Power Pin</b>
<b>O5</b>	<b>Output, 3.3V with 5V tolerant</b>	<b>S</b>	<b>Schmitt Trigger</b>
<b>B</b>	<b>Bi-directional I/O</b>		

Table 1: Pinout Description

Pin Name	Type	Pin No	Pin Description
<b>USB Interface</b>			
DP	B	32	USB 2.0 data positive pin.
DM	B	31	USB 2.0 data negative pin.
DPRS	B	36	USB 1.1 data positive pin. Please connect to DP through a 39ohm (+/-1%) serial resistor.
DMRS	B	35	USB 1.1 data negative pin. Please connect to DM through a 39ohm (+/-1%) serial resistor.
VBUS	I5/PD/S	10	VBUS pin input. Please connect to USB bus power.
XIN12M	I3	26	12Mhz crystal or oscillator clock input. This clock is needed for USB PHY transceiver to operate.
XOUT12M	O3	27	12Mhz crystal or oscillator clock output.
RREF	I	30	For USB PHY's internal biasing. Please connect to AGND through a 12.1Kohm (+/-1%) resistor.
RPU	I	34	For USB PHY's internal biasing. Please connect to AVDD3 (3.3V) through a 1.5Kohm (+/-5%) resistor.
<b>Station Management Interface</b>			
MDC	O2	121	Station Management Data Clock output. The timing reference for MDIO. All data transfers on MDIO are synchronized to the rising edge of this clock. The frequency of MDC is 1.5MHz.
MDIO	B2/PU	120	Station Management Data Input/Output. Serial data input/output transfers from/to the PHYs. The transfer protocol conforms to the IEEE 802.3u MII spec.
MDINT	I2/PU	117	Station Management Interrupt input.
<b>MII/GMII/RGMII Interface</b>			
RX_CLK	I2	104	Receive Clock. RX_CLK is received from PHY to provide timing reference for the transfer of RXD [7:0], RX_DV, and RX_ER signals on receive direction of MII/GMII/RGMII interface.
RXD [7:0]	I2	114, 113, 112, 111, 110, 109, 108, 107	Receive Data. RXD [7:0] is driven synchronously with respect to RX_CLK by PHY. In RGMII mode, only RXD [3:0] is used.
RX_DV	I2	105	Receive Data Valid. RX_DV is driven synchronously with respect to RX_CLK by PHY. It is asserted high when valid data is present on RXD [7:0]. In RGMII mode, RX_DV acts as RX_CTL.
RX_ER	I2	106	Receive Error. RX_ER is driven synchronously with respect to RX_CLK by PHY. It is asserted high for one or more RX_CLK periods to indicate to the MAC that an error has detected.
COL	I2	116	Collision Detected. COL is driven high by PHY when the collision is detected.
CRS	I2	115	Carrier Sense. CRS is asserted high asynchronously by the PHY when either transmit or receive medium is non-idle.

TX_CLK	I2	102	Transmit Clock in MII mode. TX_CLK is received from PHY to provide timing reference for the transfer of TXD [3:0], TX_EN and TX_ER signals on transmit direction of MII interface.
GTX_CLK	O2	91	Transmit Clock in GMII mode. GTX_CLK is output to PHY to provide timing reference for the transfer of TXD [7:0], TX_EN and TX_ER signals on transmit direction of GMII interface.
TXC	O2	90	Transmit Clock in RGMII mode. TXC is output to PHY to provide timing reference for the transfer of TXD [3:0], and TX_EN signals on transmit direction of RGMII interface.
TXD [7:0]	O2	76, 77, 78, 79, 82, 83, 84, 85	Transmit Data. TXD [7:0] is transitioned synchronously with respect to the rising edge of GTX_CLK in GMII mode or rising edge of TX_CLK in MII mode. In RGMII mode, only TXD [3:0] is used and is transitioned synchronously with respect to TXC clock output pin.
TX_EN	O2	89	Transmit Enable. TX_EN is transitioned synchronously with respect to the rising edge of GTX_CLK in GMII mode or rising edge of TX_CLK in MII mode. TX_EN is asserted high to indicate a valid TXD [7:0]. In RGMII mode, TX_EN acts as TX_CTL and is transitioned synchronously with respect to TXC clock output pin.
TX_ER	O2	88	Transmit Coding Error. TX_ER is transitioned synchronously with respect to the rising edge of GTX_CLK in GMII mode or rising edge of TX_CLK in MII mode. When asserted high for one or more GTX_CLK/TX_CLK, the PHY shall emit one or more code-groups that are not part of the valid data or delimiter set somewhere in the frame being transmitted.
<b>Serial EEPROM Interface</b>			
EECK	O5	4	EEPROM Clock. EECK is an output clock to EEPROM to provide timing reference for the transfer of EECS, EEDI, and EEDO signals. The frequency of EECK is 187.5Khz.
EECS	O5	5	EEPROM Chip Select. EECS is asserted high synchronously with respect to rising edge of EECK as chip select signal.
EEDI	O5	6	EEPROM Data In. EEDI is the serial output data to EEPROM's data input pin and is synchronous with respect to the rising edge of EECK.
EEDO	I5/PD	9	EEPROM Data Out. EEDO is the serial input data from EEPROM's data output pin.
<b>Misc. Pins</b>			
XIN125M	I2	101	125Mhz clock input. Connect to a 125Mhz free run clock source when in GMII or RGMII mode. In MII mode, connect to GND through a pull-down resistor.
RESET_N	I5/PU/S	12	Chip Reset Input. RESET_N pin is active low. When asserted, it puts the entire chip into reset state immediately. After completing reset, EEPROM data will be loaded automatically.
EXTWAKEUP_N	I5/PU/S	11	Remote-wakeup trigger from external pin. EXTWAKEUP_N should be asserted low for more than 2 cycles of 12MHz clock to be effective.
GPIO [2:0]	B5/PD	1, 2, 3	General Purpose Input/ Output Pins. These pins are default as input pins after power-on reset. Please use GPIO0 for controlling the power down pin of external Ethernet Phy.
PHYRST_N	O2	122	PHYRST_N is a tri-state output used for resetting external Ethernet PHY. This pin is default in tri-state after power-on reset. If external Ethernet PHY's reset level is active low, connect this to PHY's reset pin with a pulled-down resistor. If it's active high, connect this to PHY with a pulled-up resistor. This way can make sure the external Ethernet PHY stays in reset state before software brings it out of reset.
RGMII_EN	I3/PD	103	RGMII mode Enable. Setting this pin high sets the Ethernet PHY interface into RGMII mode. Setting this pin low sets the Ethernet PHY interface into MII or GMII mode.

FORCEFS_N	I3/PU	15	Force USB Full Speed (active low). For normal operation, user should keep this pin NC to enable USB High Speed handshaking process to decide the speed of USB bus. Setting this pin low sets the device to operate at Full speed mode only and disables Chirp K (HS handshaking process).
LED	O3	125	LED indicator: When USB bus is in Full speed, this pin drives high continuously. When USB bus is in High speed, this pin drives low continuously. This pin drives high and low in turn (blinking) to indicate TX data transfer going on whenever the host controller sends bulk out data transfer.
USB_SPEED_LED	O3	126	USB bus speed LED indicator. When USB bus is in Full speed, this pin drives high continuously. When USB bus is in High speed, this pin drives low continuously.
TESTSPEEDUP	I3/PD	13	Test pin. For normal operation, user should keep this pin NC.
HS_TEST_MODE	I3/PD	42	Test pin. For normal operation, user should keep this pin NC.
SCAN_TEST	I3/PD	43	Test pin. For normal operation, user should keep this pin NC.
SCAN_ENABLE	I3/PD	44	Test pin. For normal operation, user should keep this pin NC.
CLK60EXT	I3/PD	45	Test pin. For normal operation, user should keep this pin NC.
CLKSEL	I3/PD	46	Test pin. For normal operation, user should keep this pin NC.
DB	I2	65	Debug pin. For normal operation, user should connect to AVDDK through a pulled-up resistor.
<b>On-chip Regulator Pins</b>			
INT_REGULATOR_EN	I	20	On-chip 3.3V to 2.5V voltage regulator enable. Connect this pin to VDDAH directly to enable on-chip regulator. Connect this pin to GNDAH to disable on-chip regulator.
VDDAH	P	22	3.3V Power supply to on-chip 3.3V to 2.5V voltage regulator.
GNDAH	P	23	Ground pin of on-chip 3.3V to 2.5V voltage regulator.
V25	P	21	2.5V voltage output of on-chip 3.3V to 2.5V voltage regulator.
<b>Power and Ground Pins</b>			
VDDK	P	16, 24, 74, 99, 118	Digital Core Power. 2.5V.
VDD2	P	80, 86, 123	Digital I/O Power. 2.5V.
VDD3	P	8, 19, 41, 97, 128	Digital I/O Power. 3.3V.
GND	P	7, 17, 18, 25, 40, 75, 81, 87, 98, 100, 119, 124, 127	Digital Ground.
AVDDK	P	49, 53, 57, 64, 66, 68	Analog Core Power. 2.5V.
AVDD3	P	28, 37, 39	Analog I/O Power. 3.3V.
AGND	P	29, 33, 38, 50, 54, 55, 60, 63, 67, 69	Analog Ground.



## **3.0 Function Description**

### **3.1 USB Core and Interface**

The USB core and interface contains an USB 2.0 transceiver, serial interface engine (SIE), USB bus protocol handshaking block, USB standard command, vendor command registers, logic for supporting bulk transfer, and interrupt transfer, etc. The USB interface is used to communicate with USB host controller and is compliant with USB specification V1.0, V1.1 and V2.0.

### **3.2 Gigabit MAC Core**

The gigabit MAC core supports IEEE 802.3, 802.3u, and 802.3ab MAC sub-layer functions, such as basic MAC frame receive and transmit, CRC checking and generation, filtering, forwarding, flow-control in full-duplex mode, and collision-detection and handling in half-duplex mode, etc. It provides gigabit media-independent (GMII) and reduced gigabit media-independent (RGMII) interface for interfacing with Gigabit Ethernet PHY.

### **3.3 Station Management (STA)**

The station management interface provides a simple, two-wire, serial interface to connect to a managed PHY device for the purposes of controlling the PHY and gathering status from the PHY. The station management interface allows communicating with multiple PHY devices at the same time by identifying the managed PHY with 5-bit, unique Phy ID.

### **3.4 Memory Arbiter**

The memory arbiter block is responsible for storing received MAC frames into on-chip SRAM (packet buffer) and then forwarding to USB bus upon request from USB host via bulk in transfer. It also monitors packet buffer usage in full-duplex mode for triggering PAUSE frame transmission out on TX direction. The memory arbiter block is also responsible for storing MAC frames received from USB host via bulk out transfer and waiting to be transmitted out towards Ethernet network.

### **3.5 USB to Ethernet Bridge**

The USB to Ethernet bridge block is responsible for converting Ethernet MAC frame into USB packets or vice-versa. This block supports proprietary burst transfer mechanism (submitted for US patent application) to offload software burden and to offer very high packet transfer throughput over USB bus.

### **3.6 Serial EEPROM Loader**

The serial EEPROM loader is responsible for reading configuration data automatically from external serial EEPROM after power-on reset.

### **3.7 General Purpose I/O**

There are 3 general purpose I/O pins provided by this ASIC.

## 4.0 Serial EEPROM Memory Map

<b>EEPROM OFFSET</b>	<b>HIGH BYTE</b>	<b>LOW BYTE</b>
00H	Reserved	Word Count For Preload
01H	Flag	
02H	Length of High-Speed Device Descriptor (bytes)	EEPROM Offset of High-Speed Device Descriptor
03H	Length of High-Speed Configuration Descriptor (bytes)	EEPROM Offset of High-Speed Configuration Descriptor
04H	Node ID 1	Node ID 0
05H	Node ID 3	Node ID 2
06H	Node ID 5	Node ID 4
07H	Language ID High Byte	Language ID Low Byte
08H	Length of Manufacture String (bytes)	EEPROM Offset of Manufacture String
09H	Length of Product String (bytes)	EEPROM Offset of Product String
0AH	Length of Serial Number String (bytes)	EEPROM Offset of Serial Number String
0BH	Length of Configuration String (bytes)	EEPROM Offset of Configuration String
0CH	Length of Interface 0 String (bytes)	EEPROM Offset of Interface 0 String
0DH	Length of Interface 1/0 String (bytes)	EEPROM Offset of Interface 1/0 String
0EH	Length of Interface 1/1 String (bytes)	EEPROM Offset of Interface 1/1 String
0FH	Phy Register Offset for Interrupt Endpoint	Phy Register Offset for Interrupt Endpoint
10H	Max Packet Size High Byte	Max Packet Size Low Byte
11H	Secondary Phy_Type [7:5] and Phy_ID [4:0]	Primary Phy_Type [7:5] and Phy_ID [4:0]
12H	Pause Frame High Water Mark	Pause Frame Low Water Mark
13H	Length of Full-Speed Device Descriptor (bytes)	EEPROM Offset of Full-Speed Device Descriptor
14H	Length of Full-Speed Configuration Descriptor (bytes)	EEPROM Offset of Full-Speed Configuration Descriptor
15H-1FH	Reserved	Reserved

Table 2: Serial EEPROM Memory Map

## 4.1 Detailed Description

The following sections provide detailed description for some of the field in serial EEPROM memory map, for other fields not covered here, please refer to AX88178L application note for more details.

### 4.1.1 Word Count for Preload (00h)

The number of words to be preloaded by the EEPROM loader = 15h.

### 4.1.2 Flag (01h)

Bit 15	Bit 14	Bit 13	Bit 12	Bit 11	Bit 10	Bit 9	Bit 8
Reserved						TDPE	CEM
Bit 7	Bit 6	Bit 5	Bit 4	Bit 3	Bit 2	Bit 1	Bit 0
TACE	RDCE	SCPR	DCK	1	RWU	Reserved	SP

SP: Self-Power (for USB GetStatus)

1: Self power.

0: Bus power.

RWU: Remote Wakeup support.

1: Indicate that this device supports Remote Wakeup.

0: Not support.

DCK: Disable Chirp K.

1: Disabled.

0: Enable.

SCPR: Software Control PHY Reset.

1: The PRL and PRTE bits of Software Reset Register control the PHYRST\_N output level.

0: The USB reset on USB bus and PRTE bit of Software Reset Register control the PHYRST\_N output level.

RDCE: RX Drop CRC Enable.

1: CRC byte is dropped on received MAC frame forwarding to host.

0: CRC byte is not dropped.

TACE: TX Append CRC Enable.

1: CRC byte is generated and appended by the ASIC for every transmitted MAC frame.

0: CRC byte is not appended.

CEM: Capture Effective Mode.

1: Capture effective mode enable.

0: Disabled.

TDPE: Test Debug Port Enable.

1: Enable test debug port for chip debug purpose.

0: Disable test debug port and the chip operate in normal function mode

Bit 1, 10~15: Reserved.

### 4.1.3 Node ID (04~06h)

The Node ID 0 to 5 bytes represent the MAC address of the device, for example, if MAC address = 01-23-45-67-89-ABh, then Node ID 0 = 01, Node ID 1 = 23, Node ID 2 = 45, Node ID 3 = 67, Node ID 4 = 89, and Node ID 5 = AB.

#### 4.1.4 Phy Register Offset for Interrupt Endpoint (0Fh)

Bit 15	Bit 14	Bit 13	Bit 12	Bit 11	Bit 10	Bit 9	Bit 8
Reserved				Phy Register Offset 1			
Bit 7	Bit 6	Bit 5	Bit 4	Bit 3	Bit 2	Bit 1	Bit 0
Reserved				Phy Register Offset 2			

Phy Register Offset 1: Fill in Phy's Register Offset of Primary Phy here. Upon each Interrupt Endpoint issued, its register value will be reported in byte# 5 and 6 of Interrupt Endpoint packet.

Phy Register Offset 2: Fill in Phy's Register Offset of Primary Phy here. Upon each Interrupt Endpoint issued, its register value will be reported in byte# 7 and 8 of Interrupt Endpoint packet.

#### 4.1.5 Max Packet Size High/Low Byte (10h)

Fill in this field the maximum RX/TX MAC frame size supported by this ASIC when Jumbo Frame mode is disabled. The number must be even number in terms of byte and should be less than or equal to 2500 bytes. When Jumbo Frame mode is enabled, the maximum MAC frame size is fixed to 9216 bytes and this setting is ignored.

#### 4.1.6 Primary/Secondary Phy\_Type and Phy\_ID (11h)

The 3 bits Phy\_Type field for both Primary and Secondary Phy is defined as follows,

3'b000: 10/100 Ethernet Phy or 1M HOME Phy (Link reports as normal case).

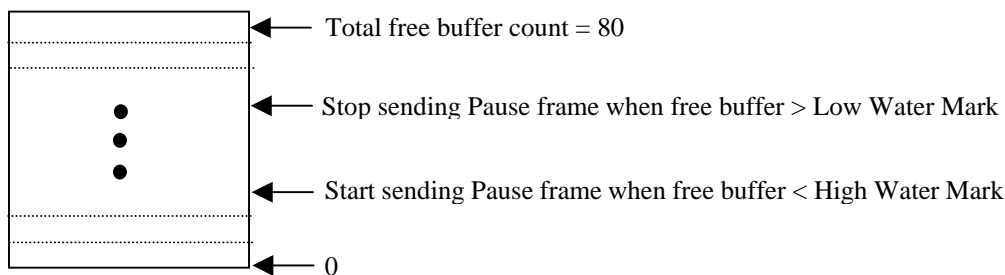
3'b100: Special case 1 (Link reports as always active).

3'b001: Gigabit Ethernet Phy.

3'b111: non-supported Phy. For example, the High Byte value of "E0h" in EEPROM offset of "11h" means that secondary Phy is not supported.

#### 4.1.7 Pause Frame High Water and Low Water Mark (12H)

When operating in full-duplex mode, correct setting of this field is very important and can affect the overall packet receive throughput performance in a great deal. The High Water Mark is the threshold to trigger sending of Pause frame and the Low Water Mark is the threshold to stop sending of Pause frame. Note that each free buffer count here represents 256 bytes of packet storage space in SRAM.



When Jumbo frame mode is not disabled, user can fill in a smaller value in High Water Mark and a larger value in Low Water Mark fields to have more efficient use of SRAM for packet buffering.



#### **4.1.8 Power-Up Steps**

After power-on reset, the ASIC will automatically perform following steps to the Ethernet Phys via MDC/MDIO lines,

1. Write to Phy\_ID of 00h with Phy register offset 00h to power down all Phys attached to station management interface.
2. Write to Primary Phy\_ID with Phy register offset 00h to power down Primary Phy.
3. Write to Secondary Phy\_ID with Phy register offset 00h to power down Secondary Phy.



## **5.0 USB Configuration Structure**

### **5.1 USB Configuration**

The AX88178 supports 1 Configuration only.

### **5.2 USB Interface**

The AX88178 supports 1 interface.

### **5.3 USB Endpoints**

The AX88178 supports following 4 endpoints:

Endpoint 0: Control endpoint. It is used for configuring the device, e.g., standard commands and vendor commands, etc.

Endpoint 1: Interrupt endpoint. It is used for reporting status.

Endpoint 2: Bulk In endpoint. It is used for receiving Ethernet Packet.

Endpoint 3: Bulk Out endpoint. It is used for transmitting Ethernet Packet.

## 6.0 USB Commands

There are three command groups for Endpoint 0 (Control Endpoint) in AX88178:

- The USB standard commands
- The USB vendor commands
- The USB Communication Class commands

### 6.1 USB Standard Commands

- The Language ID is 0x0904 for English
- PPLL means buffer length
- CC means configuration number
- I I means Interface number
- AA means Device Address

Setup Command	Data Bytes	Access Type	Description
8006_00 01 00 00_LLPP	PPLL bytes in Data stage	Read	Get Device Descriptor
8006_0002_0000_LLPP	PPLL bytes in Data stage	Read	Get Configuration Descriptor
8006_0003_0000_LLPP	PPLL bytes in Data stage	Read	Get Supported Language ID
8006_0103_0904_LLPP	PPLL bytes in Data stage	Read	Get Manufacture String
8006_0203_0904_LLPP	PPLL bytes in Data stage	Read	Get Product String
8006_0303_0904_LLPP	PPLL bytes in Data stage	Read	Get Serial Number String
8006_0403_0904_LLPP	PPLL bytes in Data stage	Read	Get Configuration String
8006_0503_0904_LLPP	PPLL bytes in Data stage	Read	Get Interface 0 String
8006_0603_0904_LLPP	PPLL bytes in Data stage	Read	Get Interface 1/0 String
8006_0703_0904_LLPP	PPLL bytes in Data stage	Read	Get Interface 1/1 String
8008_0000_0000_0100	1 bytes in Data stage	Read	Get Configuration
0009_CC00_0000_0000	No data in Data stage	Write	Set Configuration
810A_0000_I I00_0100	1 bytes in Data stage	Read	Get Interface
010B_AS00_0000_0000	No data in Data stage	Write	Set Interface
0005_AA00_0000_0000	No data in Data stage	Write	Set Address

Table 3: USB Standard Command Register Map

## 6.2 USB Vendor Commands

No	Setup Command	Data Bytes	Access Type	Description
1.	C002_AA0B_0C00_0800	8 bytes in Data stage	Read	Rx/Tx SRAM Read Register
2.	4003_AA0B_0C00_0800	8 bytes in Data stage	Write	Rx/Tx SRAM Write Register
3.	4006_0000_0000_0000	No data in Data stage	Write	Software Serial Management Control Register
4.	C007_AA00_CC00_0200	2 bytes in Data stage	Read	PHY Read Register
5.	4008_AA00_CC00_0200	2 bytes in Data stage	Write	PHY Write Register
6.	C009_0000_0000_0100	1 bytes in Data stage	Read	Serial Management Status Register
7.	400A_0000_0000_0000	No data in Data stage	Write	Hardware Serial Management Control Register
8.	C00B_AA00_0000_0200	2 bytes in Data stage	Read	SRAM Read Register
9.	400C_AA00_CCDD_0000	No data in Data stage	Write	SRAM Write Register
10.	400D_0000_0000_0000	No data in Data stage	Write	SRAM Write Enable Register
11.	400E_0000_0000_0000	No data in Data stage	Write	SRAM Write Disable Register
12.	C00F_0000_0000_0200	2 bytes in Data stage	Read	Rx Control Register
13.	4010_AABB_0000_0000	No data in Data stage	Write	Rx Control Register
14.	C011_0000_0000_0300	3 bytes in Data stage	Read	IPG/IPG1/IPG2 Register
15.	4012_AABB_CC00_0000	No data in Data stage	Write	IPG/IPG1/IPG2 Register
16.	C013_0000_0000_0600	6 bytes in Data stage	Read	Node ID Register
17.	4014_0000_0000_0600	6 bytes in Data stage	Write	Node ID Register
18.	C015_0000_0000_0800	8 bytes, MA0~MA7, in Data stage	Read	Multicast Filter Array Register
19.	4016_0000_0000_0800	8 bytes, MA0~MA7, in Data stage	Write	Multicast Filter Array Register
20.	4017_AA00_0000_0000	No data in Data stage	Write	Test Register
21.	C019_0000_0000_0200	2 bytes in Data stage	Read	Ethernet/HomePNA Phy Address Register
22.	C01A_0000_0000_0200	2 bytes in Data stage	Read	Medium Status Register
23.	401B_AABB_0000_0000	No data in Data stage	Write	Medium Mode Register
24.	C01C_0000_0000_0100	1bytes in Data stage	Read	Monitor Mode Status Register
25.	401D_AA00_0000_0000	No data in Data stage	Write	Monitor Mode Register
26.	C01E_0000_0000_0100	1 bytes in Data stage	Read	GPIOs Status Register
27.	401F_AA00_0000_0000	No data in Data stage	Write	GPIOs Register
28.	4020_AA00_0000_0000	No data in Data stage	Write	Software Reset Register

Table 4: USB Vendor Command Register Map



## 6.2.1 Detailed Register Description

### 6.2.1.1 Rx/Tx SRAM Read Register (02h, read only)

Bit7	Bit6	Bit5	Bit4	Bit3	Bit2	Bit1	Bit0
AA [7:0]							
Reserved				B [3:0]			
0h				C [3:0]			
DD [7:0] in Data stage							
EE [7:0] in Data stage							
FF [7:0] in Data stage							
GG [7:0] in Data stage							
HH [7:0] in Data stage							
II [7:0] in Data stage							
JJ [7:0] in Data stage							
KK [7:0] in Data stage							

{B [3:0], AA [7:0]}: The read address of RX or TX SRAM.

C [0]: RAM selection.

0: indicates to read from RX SRAM.

1: indicates to read from TX SRAM.

C [3:1]: Reserved.

{DD [7:0], EE [7:0], FF [7:0], GG [7:0], HH [7:0], II [7:0], JJ [7:0], KK [7:0]}: The 64-bits of data presented in Data stage are the data to be written to RX or TX SRAM.

### 6.2.1.2 Rx/Tx SRAM Write Register (03h, write only)

Bit7	Bit6	Bit5	Bit4	Bit3	Bit2	Bit1	Bit0
AA [7:0]							
Reserved				B [3:0]			
Reserved				C [3:0]			
DD [7:0] in Data stage							
EE [7:0] in Data stage							
FF [7:0] in Data stage							
GG [7:0] in Data stage							
HH [7:0] in Data stage							
II [7:0] in Data stage							
JJ [7:0] in Data stage							
KK [7:0] in Data stage							

{B [3:0], AA [7:0]}: The write address of RX or TX SRAM.

C [0]: RAM selection.

0: indicates to write to RX SRAM.

1: indicates to write to TX SRAM.

C [3:1]: Reserved.

{DD [7:0], EE [7:0], FF [7:0], GG [7:0], HH [7:0], II [7:0], JJ [7:0], KK [7:0]}: The 64-bits of data presented in Data stage are the data to be written to RX or TX SRAM.

### 6.2.1.3 Software Serial Management Control Register (06h, write only)

When software needs to access to Ethernet PHY's internal registers, one has to first issue this command to request the ownership of Serial Management Interface. The ownership status of the interface can be retrieved from Serial Management Status Register.

#### 6.2.1.4 PHY Read Register (07h, read only)

Bit7	Bit6	Bit5	Bit4	Bit3	Bit2	Bit1	Bit0
AA [7:0]							
00h							
CC [7:0]							

AA [4:0]: The PHY ID value.  
 CC [4:0]: The register address of Ethernet PHY's internal register.  
 AA [7:5]: Reserved  
 CC [7:5]: Reserved

#### 6.2.1.5 PHY Write Register (08h, write only)

Bit7	Bit6	Bit5	Bit4	Bit3	Bit2	Bit1	Bit0
AA [7:0]							
00h							
CC [7:0]							

AA [4:0]: The PHY ID value.  
 CC [4:0]: The register address of Ethernet PHY's internal register.  
 AA [7:5]: Reserved  
 CC [7:5]: Reserved

#### 6.2.1.6 Serial Management Status Register (09h, read only)

Bit7	Bit6	Bit5	Bit4	Bit3	Bit2	Bit1	Bit0
Reserved							Host_EN

Host\_EN: Host access Enable. Software can read this register to determine the current ownership of Serial Management Interface.  
 1: Software is allowed to access Ethernet PHY's internal registers via PHY Read Register or PHY Write Registers.  
 0: ASIC's hardware owns the Serial Management Interface and software's access is ignored.

#### 6.2.1.7 Hardware Serial Management Control Register (0Ah, write only)

When software is done accessing Serial Management Interface, one needs to issue this command to release the ownership of the Interface back to ASIC's hardware. After issuing this command, following PHY Read Register or PHY Write Register from software will be ignored. **NOTE:** Software should issue this command every time after finished accessing Serial Management Interface to release the ownership back to hardware to allow periodic Interrupt Endpoint to be able to access the Ethernet PHY's registers via the Serial Management Interface.

#### 6.2.1.8 SRAM Read Register (0Bh, read only)

Bit7	Bit6	Bit5	Bit4	Bit3	Bit2	Bit1	Bit0
AA [7:0]							

AA [7:0]: The read address of Serial EEROM.

### 6.2.1.9 SROM Write Register (0Ch, write only)

Bit7	Bit6	Bit5	Bit4	Bit3	Bit2	Bit1	Bit0
AA [7:0]							
00h							
CC [7:0]							
DD [7:0]							

AA [7:0]: The write address of Serial EEROM.

{ DD [7:0], CC [7:0] }: The write data value of Serial EEROM

### 6.2.1.10 Write SROM Enable (0Dh, write only)

User issues this command to enable write permission to Serial EEPROM from SROM Write Register.

### 6.2.1.11 Write SROM Disable (0Eh, write only)

User issues this command to disable write permission to Serial EEPROM from SROM Write Register.

### 6.2.1.12 Rx Control Register (0Fh, read only and 10h, write only)

Bit7	Bit6	Bit5	Bit4	Bit3	Bit2	Bit1	Bit0
SO	Reserved	AP	AM	AB	SEP	AMALL	PRO
0h			Reserved			MFB [1:0]	

AA [7:0] = { SO, Reserved, AP, AM, AB, Reserved, AMALL, PRO }

BB [7:0] = { 0h, Reserved [3:2], SB [1:0] }

**PRO:** PACKET\_TYPE\_PROMISCUOUS.

1: All frames received by the ASIC are forwarded up toward the host.

0: Disabled (default).

**AMALL:** PACKET\_TYPE\_ALL\_MULTICAST.

1: All multicast frames received by the ASIC are forwarded up toward the host, not just the frames whose scrambling result of DA matching with multicast address list provided in Multicast Filter Array Register.

0: Disabled. This only allows multicast frames whose scrambling result of DA field matching with multicast address list provided in Multicast Filter Array Register to be forwarded up toward the host (default).

**SEP:** Save Error Packet.

1: Received packets with CRC error are saved and forwarded to the host anyway.

0: Received packets with CRC error are discarded automatically without forwarding to the host (default).

**AB:** PACKET\_TYPE\_BROADCAST.

1: All broadcast frames received by the ASIC are forwarded up toward the host (default).

0: Disabled.

**AM:** PACKET\_TYPE\_MULTICAST.

1: All multicast frames whose scrambling result of DA matching with multicast address list are forwarded up to the host (default).

0: Disabled.

**AP:** Accept Physical Address from Multicast Filter Array.

1: Allow unicast packets to be forwarded up toward host if the lookup of scrambling result of DA is found within multicast address list.

0: Disabled, that is, unicast packets filtering are done without regarding multicast address list (default).

**SO:** Start Operation.

1: Ethernet MAC start operating.

0: Ethernet MAC stop operating (default).

MFB [1:0]: Maximum Frame Burst transfer on USB bus.

00: 2048 Bytes

01: 4096 Bytes

10: 8192 Bytes

11: 16384 Bytes (default). User should set to this value when Jumbo packet mode is enabled to gain better transfer throughput on USB bus.

#### 6.2.1.13 IPG/IPG1/IPG2 Control Register (11h, read only and 12h, write only)

Bit7	Bit6	Bit5	Bit4	Bit3	Bit2	Bit1	Bit0
AA [7:0]							
BB [7:0]							
CC [7:0]							

AA [6:0] = IPG [6:0].

BB [6:0] = IPG1 [6:0].

CC [6:0] = IPG2 [6:0].

IPG [6:0]: Inter Packet Gap for back-to-back transfer on TX direction in MII mode (default = 15h).

IPG1 [6:0]: IPG part1 value (default = 0Ch).

IPG2 [6:0]: IPG part1 value + part2 value (default = 12h).

AA [7]: Reserved.

BB [7]: Reserved.

CC [7]: Reserved.

#### 6.2.1.14 Node ID Register (13h, read only and 14h, write only)

Bit7	Bit6	Bit5	Bit4	Bit3	Bit2	Bit1	Bit0
AA [7:0]							
BB [7:0]							
CC [7:0]							
DD [7:0]							
EE [7:0]							
FF [7:0]							

AA [7:0] = NOID 0.

BB [7:0] = NOID 1.

CC [7:0] = NOID 2.

DD [7:0] = NOID 3.

EE [7:0] = NOID 4.

FF [7:0] = NOID 5.

{FF [7:0], EE [7:0], DD [7:0], CC [7:0], BB [7:0], AA [7:0]} = Ethernet MAC address [47:0] of the node.

**6.2.1.15 Multicast Filter Array (15h, read only and 16h, write only)**

Bit7	Bit6	Bit5	Bit4	Bit3	Bit2	Bit1	Bit0
MA 0 [7:0]							
MA 1 [7:0]							
MA 2 [7:0]							
MA 3 [7:0]							
MA 4 [7:0]							
MA 5 [7:0]							
MA 6 [7:0]							
MA 7 [7:0]							

{MA7 [7:0], MA6 [7:0], MA5 [7:0], MA4 [7:0], MA3 [7:0], MA2 [7:0], MA1 [7:0], MA0 [7:0]} = the multicast address bit map for multicast frame filtering block. See Figure 3: Multicast Filter Example, for example.

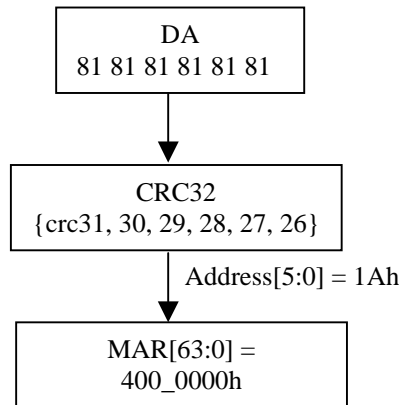


Figure 3: Multicast Filter Example

**6.2.1.16 Test Register (17h, write only)**

Bit7	Bit6	Bit5	Bit4	Bit3	Bit2	Bit1	Bit0
MM [7:6]							LDRND

LDRND: Load Random number into MAC's exponential back-off timer. User writes a "1" to enable the ASIC to load a small random number into MAC's back-off timer to shorten the back-off duration in each retry after collision. This register is used for test purpose. Default value = 0.

MM [7:6]: Reserved.

**6.2.1.17 Ethernet / HomePNA Phy Address Register (19h, read only)**

Bit7	Bit6	Bit5	Bit4	Bit3	Bit2	Bit1	Bit0
SecPhyType [2:0]			SecPhyID [4:0]				
PriPhyType [2:0]			PriPhyID [4:0]				

SecPhyType, SecPhyID: The Secondary PHY address loaded from serial EEPROM's offset address 11h.

PriPhyType, PriPhyID: The Primarily PHY address loaded from serial EEPROM's offset address 11h.

**6.2.1.18 Medium Status Register (1Ah, read only) and Medium Mode Register (1Bh, write only)**

Bit7	Bit6	Bit5	Bit4	Bit3	Bit2	Bit1	Bit0
PF	JFE	TFC	RFC	ENCK	AC	FD	GM
Reserved			SM	SBP	Reserved	PS	RE

AA [7:0] = {PF, JFE, TFC, RFC, EN125, AC, FD, GM}.

BB [7:0] = {Reserved, SM, SBP, JE, PS, RE}.

GM: Gigabit Mode.

1: GMII mode.

0: MII mode (default).

PS: Port Speed in MII mode

1: 100 Mbps (default).

0: 10 Mbps.

{GM, PS} RGMII/MII/GMII port speed selection

00: 10Mbps

01: 100Mbps

10: 1000Mbps

11: 1000Mbps

FD: Full Duplex mode

1: Full Duplex mode (default).

0: Half Duplex mode.

AC: Reserved bit. For normal operation, please always write 1 to this bit.

ENCK: Enable GTX\_CLK and TXC clock outputs

1: Enable.

0: Disabled (default).

ENCK	RGMII_EN	GTX_CLK	TXC
0	0	OFF	OFF
0	1	OFF	OFF
1	0	ON	OFF
1	1	OFF	ON

RFC: RX Flow Control enable.

1: Enable receiving of pause frame on RX direction during full duplex mode (default).

0: Disabled.

TFC: TX Flow Control enable.

1: Enable transmitting pause frame on TX direction during full duplex mode (default).

0: Disabled.

JFE: Jumbo Frame Enable.

1: Enable the support of Jumbo frame in Gigabit mode (default).

0: Disabled.

PF: Check only "length/type" field for Pause Frame.

1: Enable, i.e., Pause frames are identified only based on L/T filed.

0: Disabled, i.e., Pause frames are identified based on both DA and L/T fields (default).

RE: Receive Enable.

1: Enable RX path of the ASIC.

0: Disabled (default).

SBP: Stop BackPressure.

1: When TFC bit = 1, setting this bit enables backpressure on TX direction "continuously" during RX buffer full condition in half duplex mode.

0: When TFC bit = 1, setting this bit enable backpressure on TX direction "intermittently" during RX buffer full condition in half duplex mode (default).

SM: Super Mac support.

1: Enable Super Mac to shorten exponential back-off time during transmit retry.

0: Disabled (default).

**6.2.1.19 Monitor Mode Status Register (1Ch, read only)**

Bit7	Bit6	Bit5	Bit4	Bit3	Bit2	Bit1	Bit0
Reserved			US	Reserved	RWMP	RWLU	MOM

MOM: Monitor Mode.

- 1: Enable. All received packets will be checked on DA and CRC but not buffered into memory.
- 0: Disabled (default).

RWLU: Remote Wakeup trigger by Ethernet Link-up.

- 1: Enable
- 0: Disabled (default).

RWMP: Remote Wakeup trigger by Magic Packet.

- 1: Enable
- 0: Disabled (default).

US: USB Speed.

- 1: High speed mode.
- 0: FS speed mode.

**6.2.1.20 Monitor Mode Register (1Dh, write only)**

Bit7	Bit6	Bit5	Bit4	Bit3	Bit2	Bit1	Bit0
Reserved					RWMP	RWLU	MOM

MOM: Monitor Mode.

- 1: Enable. All received packets will be checked on DA and CRC but not buffered into memory.
- 0: Disabled (default).

RWLU: Remote Wakeup trigger by Ethernet Link-up.

- 1: Enable.
- 0: Disabled (default).

RWMP: Remote Wakeup trigger by Magic Packet.

- 1: Enable.
- 0: Disabled (default).

AA [7:3]: Reserved.

**6.2.1.21 GPIO Status Register (1Eh, read only)**

Bit7	Bit6	Bit5	Bit4	Bit3	Bit2	Bit1	Bit0
		GPI_2	GPO_2_EN	GPI_1	GPO_1_EN	GPI_0	GPO_0_EN

GPO\_0\_EN: Current level of pin GPIO0's output enable.

GPI\_0: Input level on GPIO0 pin when GPIO0 is as an input pin.

GPO\_1\_EN: Current level of pin GPIO1's output enable.

GPI\_1: Input level on GPIO1 pin when GPIO1 is as an input pin.

GPO\_2\_EN: Current level of pin GPIO2's output enable.

GPI\_2: Input level on GPIO2 pin when GPIO2 is as an input pin.

### 6.2.1.22 GPIO Register (1Fh, write only)

Bit7	Bit6	Bit5	Bit4	Bit3	Bit2	Bit1	Bit0
RSE	Reserved	GPO_2	GPO2EN	GPO_1	GPO1EN	GPO_0	GPO0EN

GPO0EN: Pin GPIO0 Output Enable.

1: Output is enabled (meaning GPIO0 is used as an output pin).

0: Output is tri-stated (meaning GPIO0 is used as an input pin) (default).

GPO\_0: Pin GPIO0 Output Value.

GPO1EN: Pin GPIO1 Output Enable.

1: Output is enabled (meaning GPIO1 is used as an output pin).

0: Output is tri-stated (meaning GPIO1 is used as an input pin) (default).

GPO\_1: Pin GPIO1 Output Value.

0: (default).

GPO2EN: Pin GPIO2 Output Enable.

1: Output is enabled (meaning GPIO2 is used as an output pin).

0: Output is tri-stated (meaning GPIO2 is used as an input pin) (default).

GPO\_2: Pin GPIO2 Output Value.

0: (default).

RSE: Reload Serial EEPROM.

1: Enable.

0: Disabled (default)

### 6.2.1.23 Software Reset Register (20h, write only)

Bit7	Bit6	Bit5	Bit4	Bit3	Bit2	Bit1	Bit0
0	1	0	BZ	PRL	PRTE	RT	RR

RR: Clear frame length error for Bulk In.

1: set high to clear state.

0: set low to exit clear state (default).

RT: Clear frame length error for Bulk Out.

1: set high to enter clear state.

0: set low to exit clear state (default).

PRTE: External Phy Reset pin Tri-state Enable.

1: Enable, i.e., the external PHYRST\_N pin is tri-stated (default). This allows the PHYRST\_N pin's active level to be controlled by external pulled-up (active high during power-on) or pulled-down resistor (active low during power-on).

0: Disabled, i.e., the external PHYRST\_N pin's level is driven by either PRL bit or internal "USB RESET" based on the setting in SCPR bit in Flag byte of EEPROM.

PRL: External Phy Reset pin Level. When SCPR bit = 1 and PRTE = 0, this bit controls the output level of external PHYRST\_N pin.

1: Set to high (default).

0: Set to low.

BZ: Force Bulk In to return a Zero-length packet.

1: Software can force Bulk In to return a zero-length USB packet.

0: Normal operation mode (default).

Bit [7:5]: Please always write 010 to these bits.



### 6.2.2 Remote Wakeup Description

After AX88178 enters into suspend mode, either the USB host or AX88178 itself can awake it up and resume back to the original operation mode before it entered suspend. Following truth table shows the chip setting, wakeup event, and device response supported by this ASIC. Note that “X” stands for don’t-care.

Wakeup by	Setting				Wakeup Event					Device awakes up?
	RWU bit of Flag byte in EEPROM	Set_Feature standard command	RWLU of Monitor Mode Register	RWMP of Monitor Mode register	Host send resume signal	Receiving Magic Packet	EXTWAKE UP_N pin	Linkup detected on Primary Phy	Linkup detected on Secondary Phy	
Host	X	X	X	X	J->K					Yes
Device	0	0	X	X		X	X	X	X	No
Device	1	1	0	1		Yes				Yes
Device	1	1	1	0				Yes		Yes
Device	1	1	1	0					Yes	Yes
Device	1	1	X	X			Low-pulse			Yes

Table 5: Remote Wakeup Truth Table

### 6.3 Interrupt Endpoint

The Interrupt Endpoint contains 8 bytes of data and its frame format is defined as: A100\_BB00\_CCDD\_EEFF.

Where BB byte in byte 3:

Bit7	Bit6	Bit5	Bit4	Bit3	Bit2	Bit1	Bit0
Reserved				MDINT	FLE	SPLS	PPLS

PPLS: Primarily PHY Link State.

1: Link is up.

0: Link is down.

SPLS: Secondary PHY Link State.

1: Link is up.

0: Link is down.

FLE: Bulk Out Ethernet Frame Length Error.

1: Proprietary Length field has parity error during Bulk Out transaction.

0: Proprietary Length field has no parity error during Bulk Out transaction.

MDINT: Input level of MDINT pin. The MDINT pin can be connected to MDINT# pin of Ethernet Phy.

1: When MDINT input pin = 1.

0: When MDINT input pin = 0.

CCDD byte in byte 5 and 6: Primary Phy’s register value, whose offset is given in High byte of EEPROM offset 0Fh.

EEFF byte in byte 7 and 8: Primary Phy’s register value, whose offset is given in Low byte of EEPROM offset 0Fh.

## 7.0 Electrical Specifications

### 7.1 DC Characteristics

#### 7.1.1 Absolute Maximum Ratings

Symbol	Parameter	Rating	Unit
VDDK	Digital core power supply	- 0.3 to VDDK + 0.3	V
VDD2	Power supply of 2.5V I/O	- 0.3 to VDD2 + 0.3	V
VDD3	Power supply of 3.3V I/O	- 0.5 to VDD3 + 0.5	V
AVDDK	Analog core power supply	- 0.3 to AVDDK + 0.3	V
AVDD3	Power supply of analog I/O	- 0.5 to AVDD3 + 0.5	V
V <sub>IN2</sub>	Input voltage of 2.5V I/O	- 0.3 to VDD2 + 0.3	V
	Input voltage of 2.5V I/O with 3.3V tolerant	- 0.3 to 3.9	V
V <sub>IN3</sub>	Input voltage of 3.3V I/O	- 0.3 to VDD3 + 0.3	V
	Input voltage of 3.3V I/O with 5V tolerant	- 0.3 to 5.5	V
T <sub>STG</sub>	Storage temperature	- 40 to 150	°C

Note: Permanent device damage may occur if absolute maximum ratings are exceeded. Functional operation should be restricted in the optional sections of this datasheet. Exposure to absolute maximum rating condition for extended periods may affect device reliability.

#### 7.1.2 Recommended Operating Condition

Symbol	Parameter	Min	Typ	Max	Unit
VDDK	Digital core power supply	2.25	2.5	2.75	V
VDD2	Power supply of 2.5V I/O	2.25	2.5	2.75	V
VDD3	Power supply of 3.3V I/O	3.0	3.3	3.6	V
AVDDK	Analog core power supply	2.25	2.5	2.75	V
AVDD3	Power supply of analog I/O	3.0	3.3	3.6	V
V <sub>IN2</sub>	Input voltage of 2.5 V I/O	0	2.5	2.75	V
	Input voltage of 2.5 V I/O with 3.3 V tolerance	0	2.5	3.6	V
V <sub>IN3</sub>	Input voltage of 3.3 V I/O	0	3.3	3.6	V
	Input voltage of 3.3 V I/O with 5 V tolerance	0	3.3	5.25	V
T <sub>j</sub>	Commercial junction operating temperature	0	-	115	°C
T <sub>c</sub>	Commercial operating temperature	0	-	70	°C

#### 7.1.3 Leakage Current and Capacitance

Symbol	Parameter	Condition	Min	Typ	Max	Unit
I <sub>IN</sub>	Input current	No pull-up or pull-down	-10	±1	10	μA
I <sub>OZ</sub>	Tri-state leakage current		-10	±1	10	μA
C <sub>IN</sub>	Input capacitance		-	3.1	-	pF
C <sub>OUT</sub>	Output capacitance		-	3.1	-	pF
C <sub>BID</sub>	Bi-directional buffer capacitance		-	3.1	-	pF

Note: The capacitance listed above does not include pad capacitance and package capacitance. One can estimate pin capacitance by adding a pad capacitance of about 0.5pF and the package capacitance.

### 7.1.4 DC Characteristics of 2.5V I/O Pins

Symbol	Parameter	Condition	Min	Typ	Max	Unit
VDD2	Power supply of 2.5V I/O		2.25	2.5	2.75	V
Temp	Junction temperature		0	25	115	°C
Vil	Input low voltage	CMOS	-	-	0.7	V
Vih	Input high voltage		1.7	-	-	V
Vt-	Schmitt trigger negative going threshold voltage	CMOS	0.7	1.0	-	V
Vt+	Schmitt trigger positive going threshold voltage		-	1.5	1.7	V
Vol	Output low voltage	Iol  = 2~16mA	-	-	0.4	V
Voh	Output high voltage	Ioh  = 2~16mA	1.85	-	-	V
Rpu	Input pull-up resistance		40	75	190	KΩ
Rpd	Input pull-down resistance		40	75	190	KΩ
Iin	Input leakage current	Vin = VDD2 or 0	-10	±1	10	μA
Ioz	Tri-state output leakage current		-10	±1	10	μA

### 7.1.5 DC Characteristics of 3.3V I/O Pins

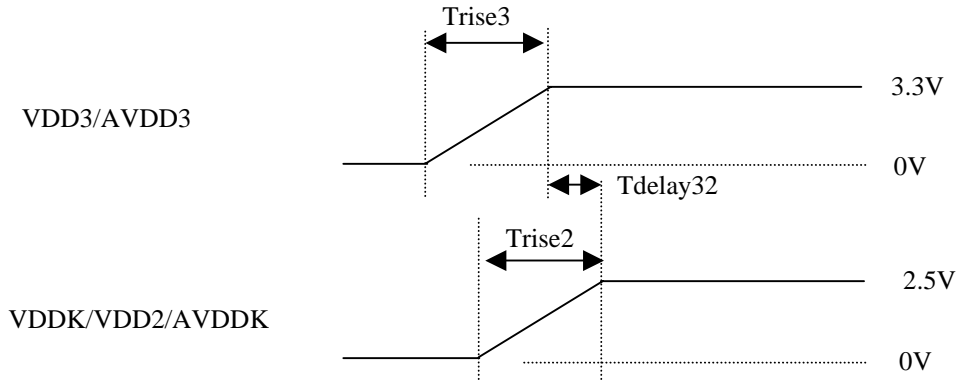
Symbol	Parameter	Condition	Min	Typ	Max	Unit
VDD3	Power supply of 3.3V I/O	3.3V I/O	3.0	3.3	3.6	V
Temp	Junction temperature		0	25	115	°C
Vil	Input low voltage	LVTTTL	-	-	0.8	V
Vih	Input high voltage		2.0	-	-	V
Vt-	Schmitt trigger negative going threshold voltage	LVTTTL	0.8	1.1	-	V
Vt+	Schmitt trigger positive going threshold voltage		-	1.6	2.0	V
Vol	Output low voltage	Iol  = 2~16mA	-	-	0.4	V
Voh	Output high voltage	Ioh  = 2~16mA	2.4	-	-	V
Rpu	Input pull-up resistance		40	75	190	KΩ
Rpd	Input pull-down resistance		40	75	190	KΩ
Iin	Input leakage current	Vin = VDD3 or 0	-10	±1	10	μA
Ioz	Tri-state output leakage current		-10	±1	10	μA

## 7.2 Power Consumption

Symbol	Description	Condition	Min	Typ	Max	Units
IVDDK2	Current consumption of VDDK/VDD2, 2.5V	Operating at Ethernet 1000Mbps full duplex mode and USB High speed mode	-	48.3	-	mA
IVDD3	Current consumption of VDD3, 3.3V		-	< 1	-	mA
IAVDDK	Current consumption of AVDDK, 2.5V		-	< 2	-	mA
IAVDD3	Current consumption of AVDD3, 3.3V		-	51.1	-	mA
ΘJC	Thermal resistance of junction to case			16.5		°C/W
ΘJA	Thermal resistance of junction to ambient	Still air		46		°C/W

### 7.3 Power-up Sequence

At power-up, AX88178 requires the VDD3/AVDD3 power supply to rise to nominal operating voltage within Trise3 and the VDDK/AVDD2/AVDDK power supply to rise to nominal operating voltage within Trise2.

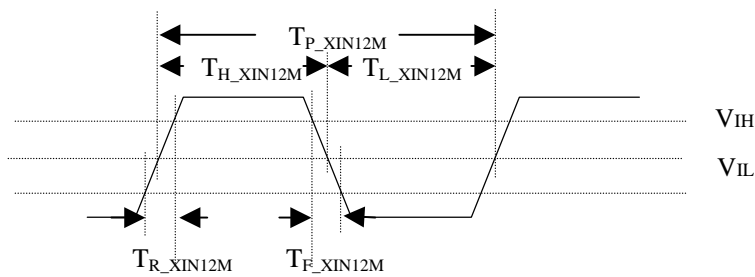


Symbol	Parameter	Condition	Min	Typ	Max	Unit
$T_{rise3}$	3.3V power supply rise time	From 0V to 3.3V	-	-	10	ms
$T_{rise2}$	2.5V power supply rise time	From 0V to 2.5V	-	-	10	ms
$T_{delay32}$	3.3V rise to 2.5V rise time delay		-5	-	5	ms

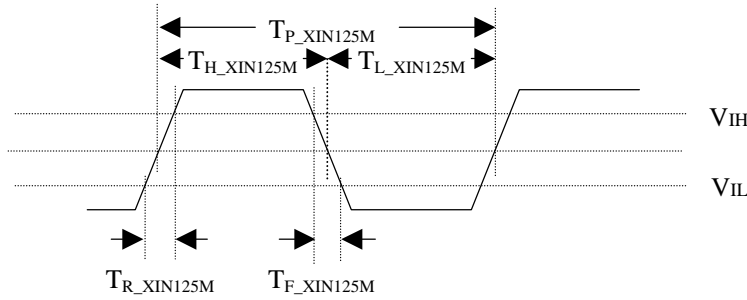
### 7.4 AC Timing Characteristics

#### 7.4.1 Clock Timing

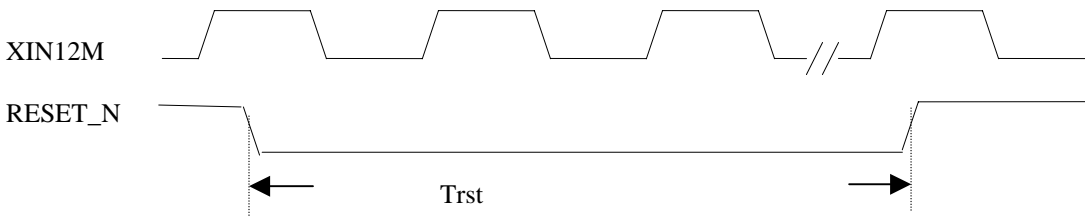
##### 7.4.1.1 XIN12M



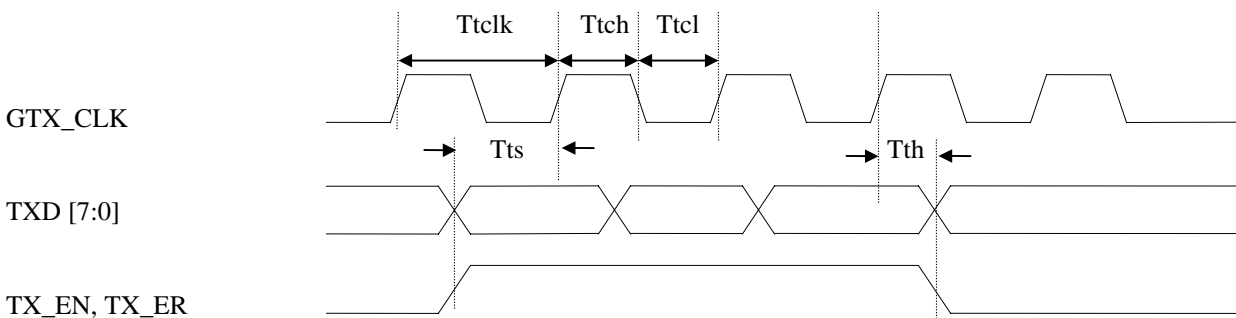
Symbol	Parameter	Condition	Min	Typ	Max	Unit
$T_{P\_XIN12M}$	XIN12M clock cycle time		-	83.33	-	ns
$T_{H\_XIN12M}$	XIN12M clock high time		-	41.6	-	ns
$T_{L\_XIN12M}$	XIN12M clock low time		-	41.6	-	ns
$T_{R\_XIN12M}$	XIN12M rise time	$V_{IL}(\max)$ to $V_{IH}(\min)$	-	-	1.0	ns
$T_{F\_XIN12M}$	XIN12M fall time	$V_{IH}(\min)$ to $V_{IL}(\max)$	-	-	1.0	ns

**7.4.1.2 XIN125M**


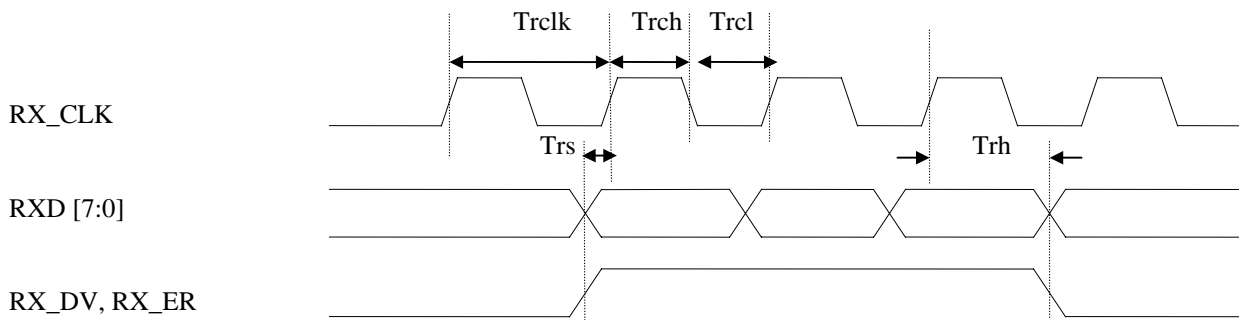
Symbol	Parameter	Condition	Min	Typ	Max	Unit
$T_{P\_XIN125M}$	XIN125M clock cycle time		7.5	8.0	8.5	ns
$T_{H\_XIN125M}$	XIN125M clock high time		2.5	4.0	-	ns
$T_{L\_XIN125M}$	XIN125M clock low time		2.5	4.0	-	ns
$T_{R\_XIN125M}$	XIN125M rise time	$V_{IL}(\max)$ to $V_{IH}(\min)$	-	-	1.0	ns
$T_{F\_XIN125M}$	XIN125M fall time	$V_{IH}(\min)$ to $V_{IL}(\max)$	-	-	1.0	ns

**7.4.2 Reset Timing**


Symbol	Description	Min	Typ	Max	Units
Trst	Reset pulse width (6ms ~10ms) after XIN12M is running	72000	-	-	XIN12M clock cycle

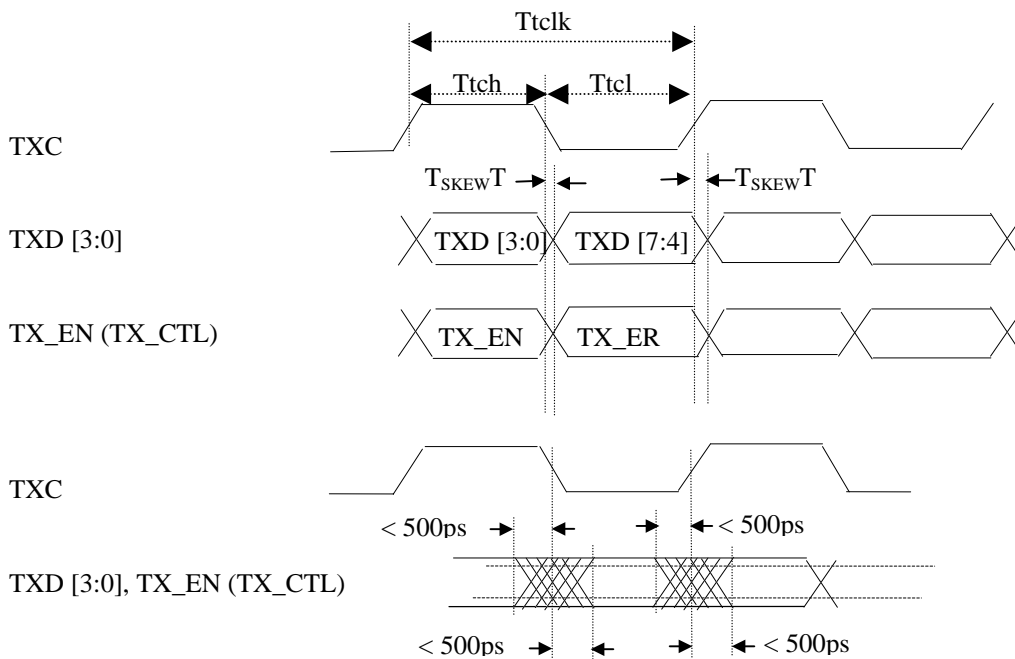
**7.4.3 GMII Timing (1000Mbps)**


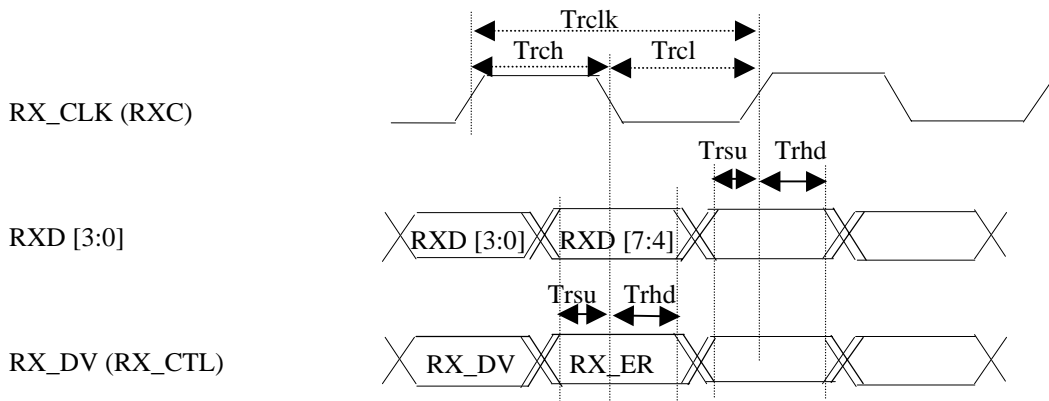
Symbol	Description	Min	Typ	Max	Units
Ttclk	GTX_CLK clock cycle time	7.5	8.0	8.5	ns
Ttch	GTX_CLK clock high time	2.5	4.0	-	ns
Ttcl	GTX_CLK clock low time	2.5	4.0	-	ns
Tts	TXD [7:0], TX_EN, TX_ER setup time	4.0	-	-	ns
Tth	TXD [:0], TX_EN, TX_ER hold time	0.5	-	-	ns



Symbol	Description	Min	Typ	Max	Units
Trclk	RX_CLK clock cycle time	7.5	8.0	8.5	ns
Trch	RX_CLK clock high time	2.5	4.0	-	ns
Trcl	RX_CLK clock low time	2.5	4.0	-	ns
Trs	RXD [7:0], RX_DV, and RX_ER setup time	2.0	-	-	ns
Trh	RXD [7:0], RX_DV, and RX_ER hold time	0.0	-	-	ns

#### 7.4.4 RGMII Timing

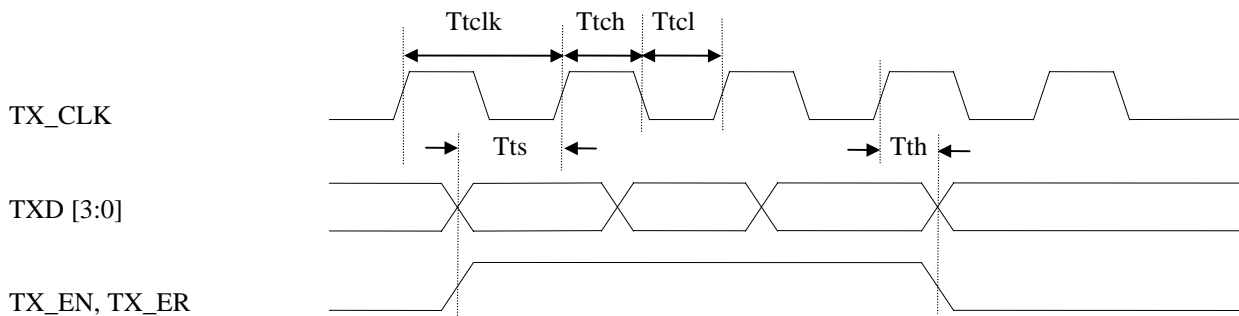




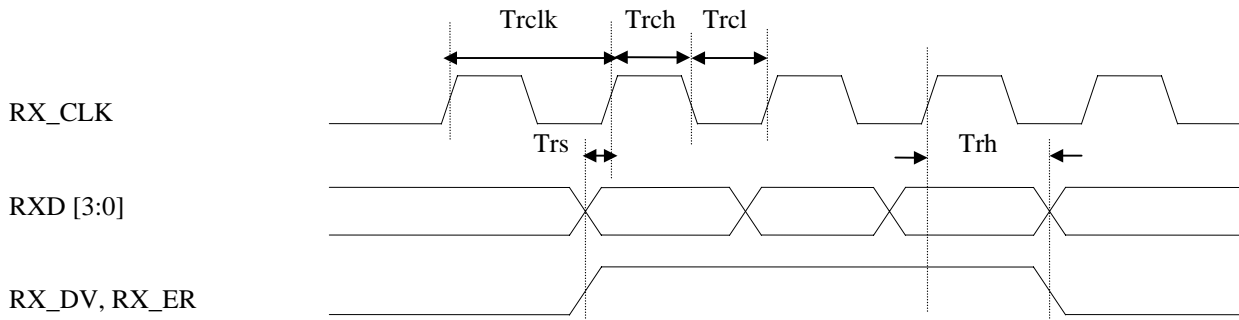
Symbol	Description	Min	Typ	Max	Units
Ttclk	TXC clock cycle time at 1000Mbps *1	7.2	8.0	8.8	ns
Ttch	TXC clock high time at 1000Mbps *2	-	4.0	-	ns
Ttcl	TXC clock low time at 1000Mbps *2	-	4.0	-	ns
T <sub>SKREW</sub> T	TXC clock to TXD [3:0] and TX_EN output skew (at transmitter)	-500	-	500	ps
Trclk	RX_CLK (RXC) clock cycle time at 1000Mbps *1	7.2	8.0	8.8	ns
Trch	RX_CLK (RXC) clock high time at 1000Mbps *2	-	4.0	-	ns
Trcl	RX_CLK (RXC) clock low time at 1000Mbps *2	-	4.0	-	ns
Trsu	RXD [3:0] and RX_DV (RX_CTL) to RX_CLK (RXC) clock setup time	1.0	-	-	ns
Trhd	RXD [3:0] and RX_DV (RX_CTL) to RX_CLK (RXC) clock hold time	1.0	-	-	ns

\*1: For 10Mbps and 100Mbps, Ttclk and Trclk shall scale to 400ns+/-40ns and 40ns+/-4ns respectively.  
 \*2: For 10Mbps and 100Mbps, the typical value of Ttch, Ttcl, Trch, and Trcl shall scale to 200ns and 20ns respectively.

### 7.4.5 MII Timing (100Mbps)



Symbol	Description	Min	Typ	Max	Units
Ttclk	TX_CLK clock cycle time *1	-	40.0	-	ns
Ttch	TX_CLK clock high time *2	-	20.0	-	ns
Ttcl	TX_CLK clock low time *2	-	20.0	-	ns
Tts	TXD [3:0], TX_EN, TX_ER setup time	28.0	-	-	ns
Tth	TXD [3:0], TX_EN, TX_ER hold time	5.0	-	-	ns

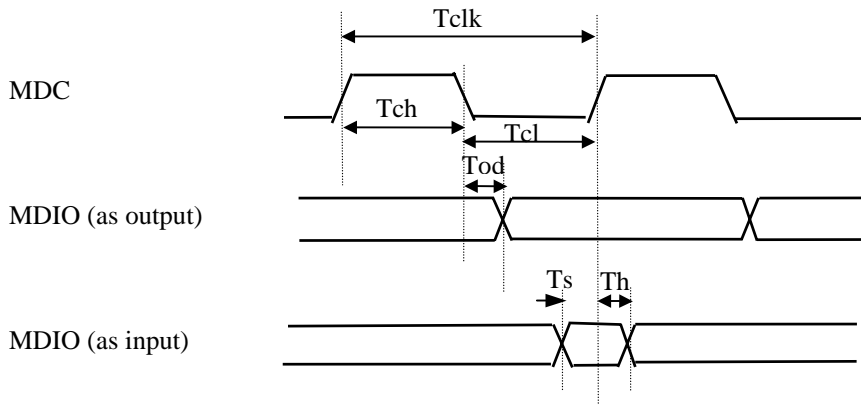


Symbol	Description	Min	Typ	Max	Units
Trclk	RX_CLK clock cycle time *1	-	40.0	-	ns
Trch	RX_CLK clock high time *2	-	20.0	-	ns
Trcl	RX_CLK clock low time *2	-	20.0	-	ns
Trs	RXD [3:0], RX_DV, and RX_ER setup time	3.0	-	-	ns
Trh	RXD [3:0], RX_DV, and RX_ER hold time	0.5	-	-	ns

\*1: For 10Mbps, the typical value of Ttclk and Trclk shall scale to 400ns.

\*2: For 10Mbps, the typical value of Ttch, Ttcl, Trch, and Trcl shall scale to 200ns.

### 7.4.6 Station Management Timing

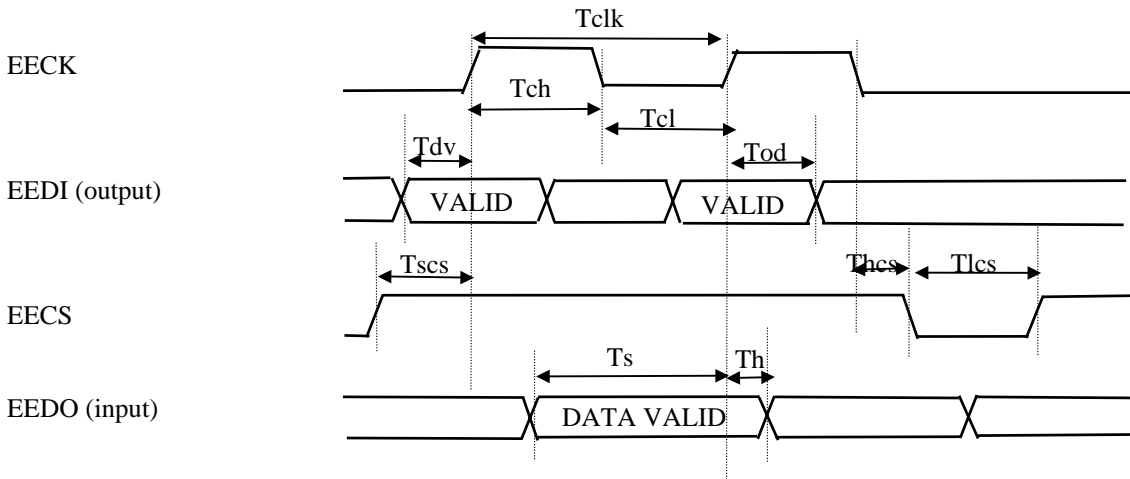


Symbol	Description	Min	Typ	Max	Units
Tclk	MDC clock cycle time	-	666	-	ns
Tch	MDC clock high time	-	333	-	ns
Tcl	MDC clock low time	-	333	-	ns
Tod	MDC clock falling edge to MDIO output delay	0	-	2	ns
Ts	MDIO data input setup time	10	-	-	ns
Th	MDIO data input hold time	0	-	-	ns



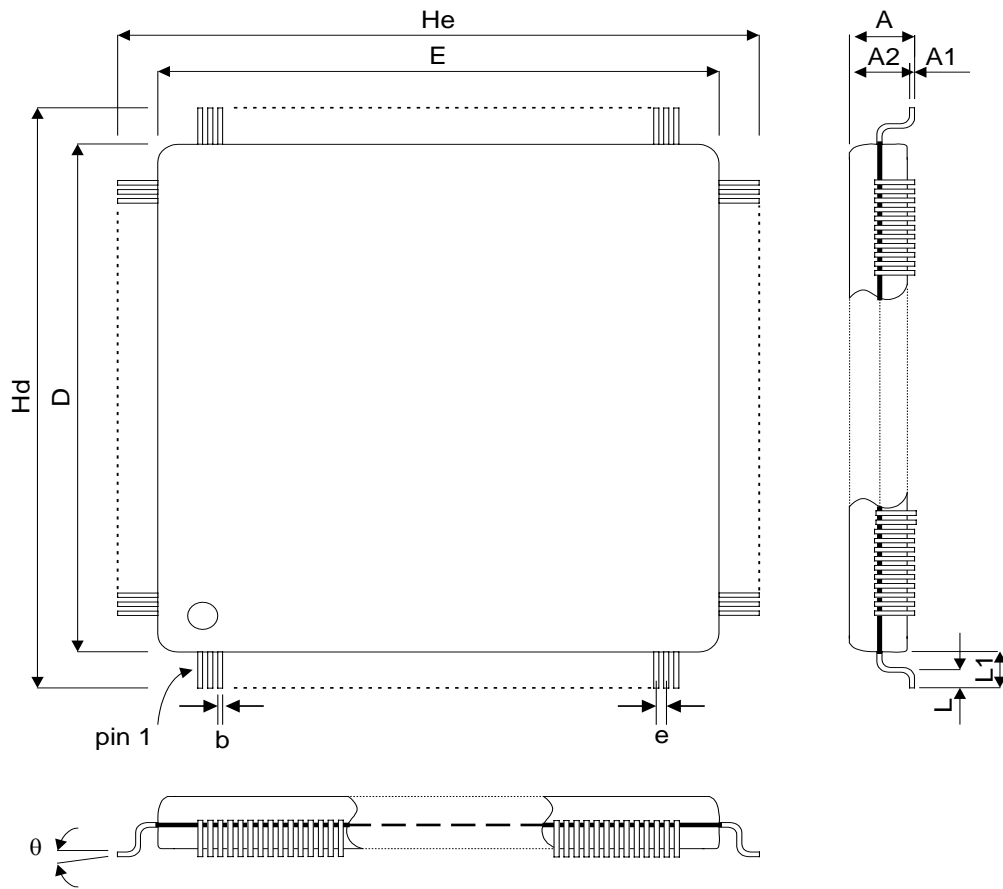


7.4.7 Serial EEPROM Timing



Symbol	Description	Min	Typ	Max	Units
Tclk	EECK clock cycle time	-	5333	-	ns
Tch	EECK clock high time	-	2666	-	ns
Tcl	EECK clock low time	-	2666	-	ns
Tdv	EEDI output valid to EECK rising edge time	2666	-	-	ns
Tod	EECK rising edge to EEDI output delay time	2666	-	-	ns
Tscs	EECS output valid to EECK rising edge time	2666	-	-	ns
Thcs	EECK falling edge to EECS invalid time	0	-	-	ns
Tlcs	Minimum EECS low time	23904	-	-	ns
Ts	EEDO input setup time	10	-	-	ns
Th	EEDO input hold time	100	-	-	ns

## 8.0 Package Information



Symbol	Millimeter		
	Min	Typ	Max
A1	0.05	-	-
A2	1.35	1.40	1.45
A	-	-	1.60
b	0.13	0.18	0.23
D	13.90	14.00	14.10
E	13.90	14.00	14.10
e	-	0.4 BSC	-
Hd	15.85	16.00	16.15
He	15.85	16.00	16.15
L	0.45	0.60	0.75
L1	-	1.00 REF	-
$\theta$	0°	3.5°	7°



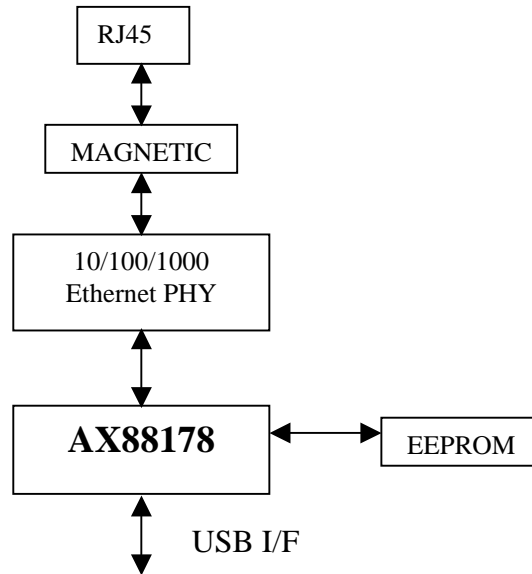
## 9.0 Ordering Information

<b>AX88178</b>	<b>L</b>	<b>F</b>
<b>Product Name</b>	<b>Package LQFP</b>	<b>Lead Free</b>

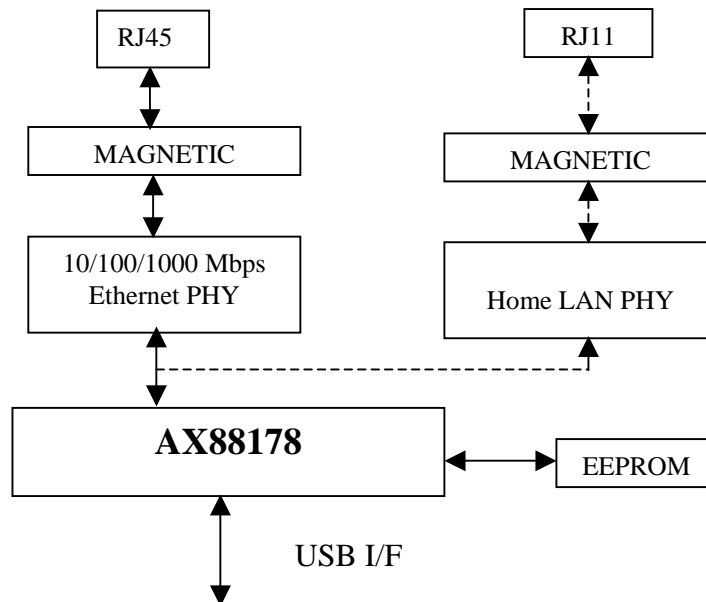
## Appendix A: System Applications

Some typical applications for AX88178 are illustrated bellow.

### A.1 USB to Gigabit Ethernet Converter



### A.2 USB to Gigabit Ethernet and/or HomeLAN Combo solution



## Revision History

Revision	Date	Comment
V 0.1	1/5/04	Initial Release.
V 0.2	4/16/04	Added power consumption data and updated pin description for pin USB_SPEED_LED.
V 0.3	8/9/04	Changed Bulk In transfer to Endpoint 2 and Bulk Out transfer to Endpoint 3 in section 5.3.
V 0.4	12/23/04	Added thermal data in section 7.2.
V 0.5	1/6/05	Added operating temperature in feature and section 7.1.2.
V 0.6	3/23/05	Added power-up sequence in section 7.3.
V 0.7	6/21/05	Changed the support to 1 USB interface in section 5.2.

**ASIX** Electronics Corporation.

4F, No. 8, Hsin Ann Rd., Science-Based Industrial Park,  
HsinChu, Taiwan, R.O.C.

TEL: 886-3-5799500

FAX: 886-3-5799558

Email: [support@asix.com.tw](mailto:support@asix.com.tw)

Web: <http://www.asix.com.tw/>